

Chapter 2 Modeling Data in the Organization

Chapter Overview

The purpose of this chapter is to present a detailed description of the entity-relationship model and the use of this tool within the context of conceptual data modeling. This chapter presents the basic entity-relationship (or E-R) model, while advanced features are presented in Chapter 3.

Chapter Objectives

Specific student learning objectives are included in the beginning of the chapter. *From an instructor's point of view, the objectives of this chapter are to:*

1. Emphasize the importance of understanding organizational data, and convince your students that unless they can represent data unambiguously in logical terms, they cannot implement a database that will effectively serve the needs of management.
2. Present the E-R model as a logical data model that can be used to capture the structure and much, although not all, of the semantics (or meaning) of data.
3. Apply E-R modeling concepts to several practical examples including the Pine Valley Furniture Company case.

Key Terms

Associative entity	Entity-relationship diagram	Relationship instance
Attribute	(E-R diagram)	Relationship type
Binary relationship	Entity-relationship model	Required attribute
Business rule	(E-R model)	Simple (or atomic) attribute
Cardinality constraint	Fact	Strong entity type
Composite attribute	Identifier	Term
Composite identifier	Identifying owner	Ternary relationship
Degree	Identifying relationship	Time stamp
Derived attribute	Maximum cardinality	Unary relationship
Entity	Minimum cardinality	Weak entity type
Entity instance	Multivalued attribute	
Entity type	Optional attribute	

Classroom Ideas

1. Review the major steps in the database development process (Figure 1-10) and highlight the importance of data modeling in determining the overall data requirements of information systems. Lead a discussion concerning who in the organization is typically most heavily involved in each of the steps and how end users may best participate in the process.
2. Introduce the concept of drawing models to represent information in a concise manner by having your students participate in a small active exercise in map-making. Divide the students into teams of 3-4 each so that you have an even number of teams in the class.

Instruct each team to work together to investigate and develop a map to selected campus locations (you develop the list ahead of time; e.g., from this classroom to the library, from this classroom to a colleague's office, etc.). Ask each team to verify the map they draw and then return to the classroom. Pair up each team with a unique location with another team; ask the teams to exchange maps. Instruct each team to then verify the map they received by following it and then returning to the classroom. Conduct a debriefing discussion about how easy/hard it was to follow the maps, how useful were the symbols used, how easily understood were the symbols, etc. Use this discussion to lead into the use of E-R notation used to represent data models and why standardization is useful to systems development activities.

3. Use the sample E-R diagram shown in Figure 2-1 to “jump-start” your students’ understanding. Ask your students to explain the business rules represented in this diagram.
4. Use Figure 2-2 to summarize the basic E-R notation used in this chapter (and throughout the remainder of the text).
5. Contrast the terms: entity type and entity instance (see Figure 2-3). Discuss other examples: STUDENT (with each student in the classroom as an instance), etc. Warn the students that the term “entity” is often used either way; the meaning is intended to come from the *context* in which it is used.
6. Give examples of common errors in E-R diagramming, including inappropriate entities (see Figure 2-4). Ask your students for other examples.
7. Compare strong versus weak entities using Figure 2-5. Ask your students for other examples.
8. Discuss the various types of attributes that are commonly encountered (Figures 2-7 through 2-9). Again, ask your students to think of other examples.
9. Make sure your students understand the difference between relationship types and relationship instances (Figure 2-10).
10. Introduce the notion of an associative entity by using Figure 2-11. Discuss the four reasons (presented in the text) for converting a relationship to an associative entity.
11. Discuss unary, binary, and ternary relationships (Figure 2-12). Have the students brainstorm at least two additional examples for each of these relationship degrees.
12. Discuss the bill-of-materials unary relationship (Figure 2-13). Use a simple and familiar product (such as a toy) to illustrate this structure.
13. Introduce the concept and notation of cardinality constraints in relationships (Figures 2-16, 2-17, and 2-18). Emphasize that these constraints are important expressions of business rules.
14. Introduce the problem of representing time dependent data. Use Figures 2-19 and 2-20 to illustrate different means of coping with time dependencies.
15. Discuss examples of multiple relationships between entities (Figure 2-21). Ask your students to suggest other examples.
16. Use the diagram for Pine Valley Furniture Company (Figure 2-22) to illustrate a more comprehensive E-R diagram. Stress that in real-world situations, E-R diagrams are often much more complex than this example.
17. As time permits, have your students work in small teams, 2 or 3 students each, to solve some of the E-R diagramming exercises at the end of the chapter. We have included a

number of new examples for this purpose. Also, you may assign the project case as a homework exercise.

Answers to Review Questions

1. Define each of the following terms:
 - a. *Entity type.* A collection of entities that share common properties or characteristics
 - b. *Entity-relationship model.* A logical representation of the data for an organization or for a business area
 - c. *Entity instance.* A single occurrence of an entity type
 - d. *Attribute.* A property or characteristic of an entity type that is of interest to the organization
 - e. *Relationship type.* A meaningful association between (or among) entity types
 - f. *Identifier.* An attribute (or combination of attributes) that uniquely identifies individual instances of an entity type
 - g. *Multivalued attribute.* An attribute that may take on more than one value for a given entity instance
 - h. *Associative entity.* An entity type that associates the instances of one or more entity types and contains attributes that are peculiar to the relationship between those entity instances
 - i. *Cardinality constraint.* Specifies the number of instances of one entity that can (or must) be associated with each instance of another entity
 - j. *Weak entity.* An entity type whose existence depends on some other entity type
 - k. *Identifying relationship.* The relationship between a weak entity type and its owner
 - l. *Derived attribute.* An attribute whose values can be calculated from related attribute values
 - m. *Business rule.* A statement that defines or constrains some aspect of the business

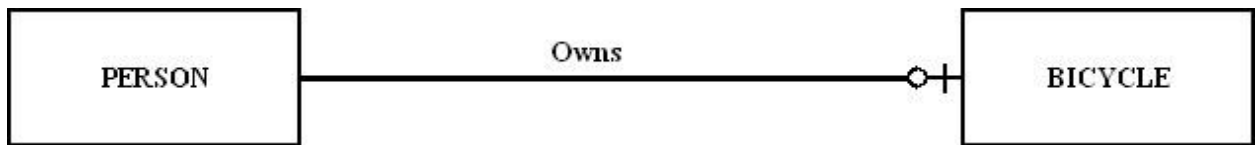
2. Match the following terms and definitions:

i	composite attribute
d	associative entity
b	unary relationship
j	weak entity
h	attribute
m	entity
e	relationship type
c	cardinality constraint
g	degree
a	identifier
f	entity type
k	ternary
l	bill-of-materials

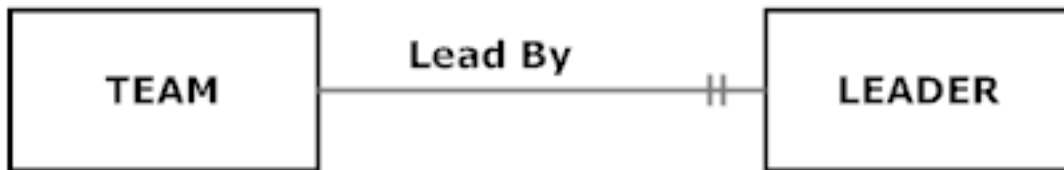
3. Contrast the following terms:
 - a. *Stored attribute; derived attribute.* A stored attribute is one whose values are stored in the database, while a derived attribute is one whose values can be calculated or derived from related stored attributes.
 - b. *Simple attribute; composite attribute.* A simple attribute is one that cannot be broken down into smaller components, while a composite attribute can be broken down into component parts.
 - c. *Entity type; relationship type.* An entity type is a collection of entities that share common properties or characteristics, while a relationship type is a meaningful association between (or among) entity types.
 - d. *Strong entity type; weak entity type.* A strong entity type is an entity that exists independently of other entity types, while a weak entity type depends on some other entity type.
 - e. *Degree; cardinality.* The degree (of a relationship) is the number of entity types that participate in that relationship, while cardinality is a constraint on the number of instances of one entity that can (or must) be associated with each instance of another entity.
 - f. *Required attribute; optional attribute.* A required attribute must have a value for each entity instance, whereas an optional attribute may not have a value for every entity instance.
 - g. *Composite attribute; multivalued attribute.* A composite attribute has component parts that give meaning, whereas a multivalued attribute may take one or more values for an entity instance.
 - h. *Ternary relationship; three binary relationships.* A ternary relationship is a simultaneous relationship among the instances of three entity types and often includes attributes unique to that simultaneous relationship. Three binary relationships reflect the three two-way relationships between two entity types, and does not depict the same meaning as a ternary relationship.
4. Three reasons why data modeling is the most important part of the system development process:
 - a. The characteristics of data captured during data modeling are crucial in the design of databases, programs, and other system components. Facts and rules that are captured during this process are essential in assuring data integrity in an information system.
 - b. Data, rather than processes, are the most important aspects of many modern information systems and hence, require a central role in structuring system requirements.
 - c. Data tend to be more stable than the business processes that use the data. Thus, an information system that is based on a data orientation should have a longer useful life than one based on a process orientation.
5. Four reasons why a business rules approach is advocated as a new paradigm for specifying information systems requirements:
 - a. Business rules are a core concept in an enterprise since they are an expression of

- business policy, and they guide individual and aggregate behavior. Well-structured business rules can be stated in a natural language for end users and in a data model for system developers.
- b. Business rules can be expressed in terms that are familiar to end users. Thus, users can define and then maintain their own rules.
 - c. Business rules are highly maintainable: they are stored in a central repository and each rule is expressed only once, then shared throughout the organization.
 - d. Enforcement of business rules can be automated through the use of software that can interpret the rules and enforce them using the integrity mechanisms of the database management system.
6. Business rules appear in descriptions of business functions, events, policies, units, stakeholders, and other objects. These descriptions can be found in interview notes from individual and group information systems requirements collection sessions, organizational documents, and other sources. Rules are identified by asking questions about the who, what, when, where, why, and how of the organization.
7. Six general guidelines for naming data objects in a data model:
- a. Data names should relate to business, not technical characteristics.
 - b. Data names should be meaningful, almost to the point of being self-documenting.
 - c. Data names should be unique from the name used for every other distinct data object.
 - d. Data names should be readable, so the name is structured as the concept would most naturally be said.
 - e. Data names should be composed of words taken from an approved list.
 - f. Data names should be repeatable, meaning that different people or the same person at different times should develop exactly or almost the same name.
8. Four criteria for selecting identifiers for entities:
- a. Choose an identifier that will not change its value over the life of each instance of the entity type.
 - b. Choose an identifier such that for each instance of the entity the attribute is guaranteed to have valid values and not be null (or unknown).
 - c. Avoid the use of so-called intelligent identifiers (or keys), whose structure indicates classifications, locations, and so on.
 - d. Consider substituting single-attribute surrogate identifiers for large composite identifiers.
9. Why must some identifiers be composite rather than simple?
An identifier attribute is an attribute (or combination of attributes) whose value distinguishes individual instances of an entity type. Often, a simple attribute will not be unique for all instances of an entity type (e.g., FlightNumber for an instance of an airline flight). Rather, a combination of simple attributes will be needed to uniquely identify the entity instance (e.g., FlightID and FlightDate would make the instance unique).

10. Three conditions that suggest the designer should model a relationship as an associative entity type are:
- All of the relationships for the participating entity types are “many” relationships.
 - The resulting associative entity type has independent meaning to end users, and it preferably can be identified with a single-attribute identifier.
 - The associative entity has one or more attributes in addition to the identifier.
11. Four types of cardinality constraints are:
- Optional one:



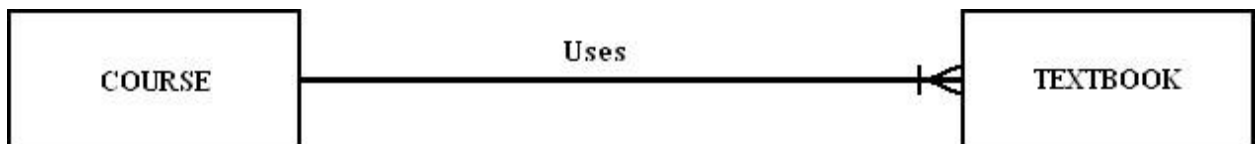
- Mandatory one:



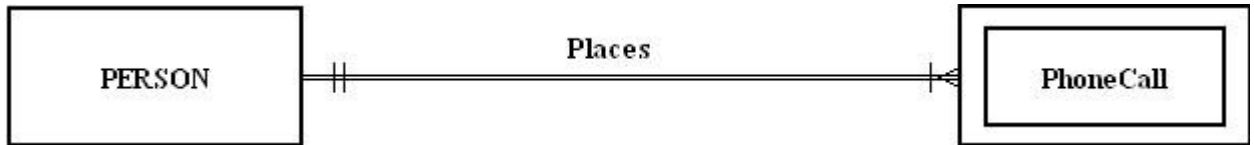
- Optional many:



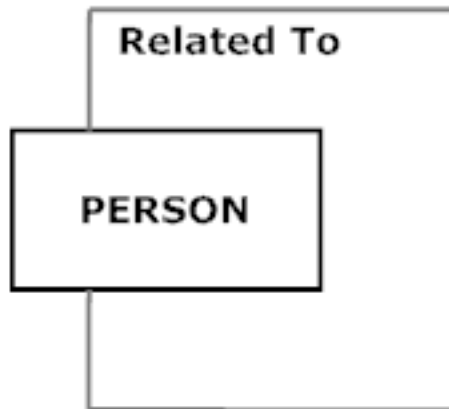
- Mandatory many:



12. Phone Call (see below) is an example of a weak entity because a phone call must be placed by a PERSON. In this simple example, PHONE CALL is related to only one other entity type, thus, it is not necessary to show the identifying relationship; however, if this data model were ever expanded so that PHONE CALL related to other entity types, it is good practice to always indicate the identifying relationship.



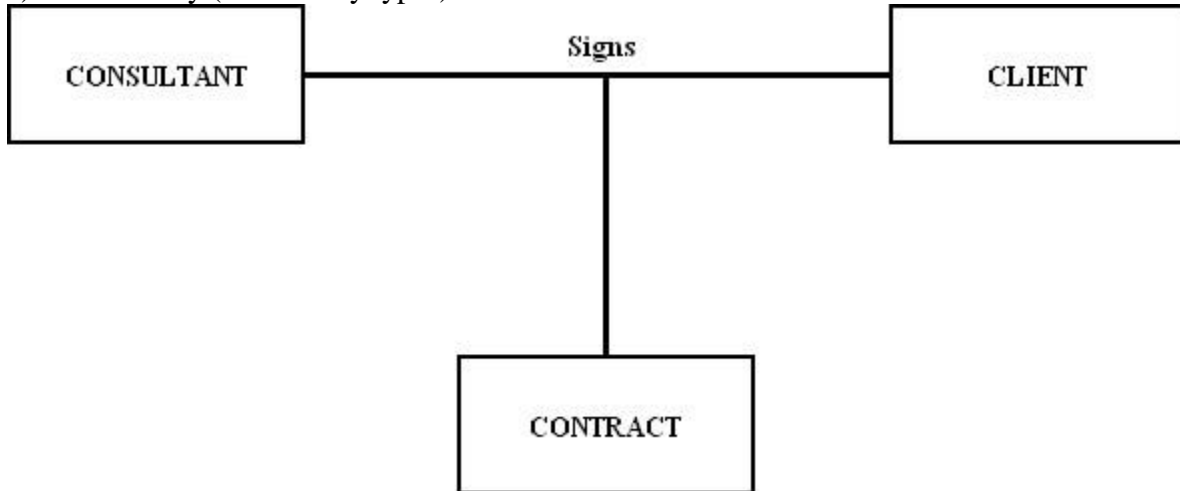
13. The degree of a relationship is the number of entity types that participate in the relationship.
- a) Unary (one entity type):



- b) Binary (two entity types):



c) Ternary (three entity types):

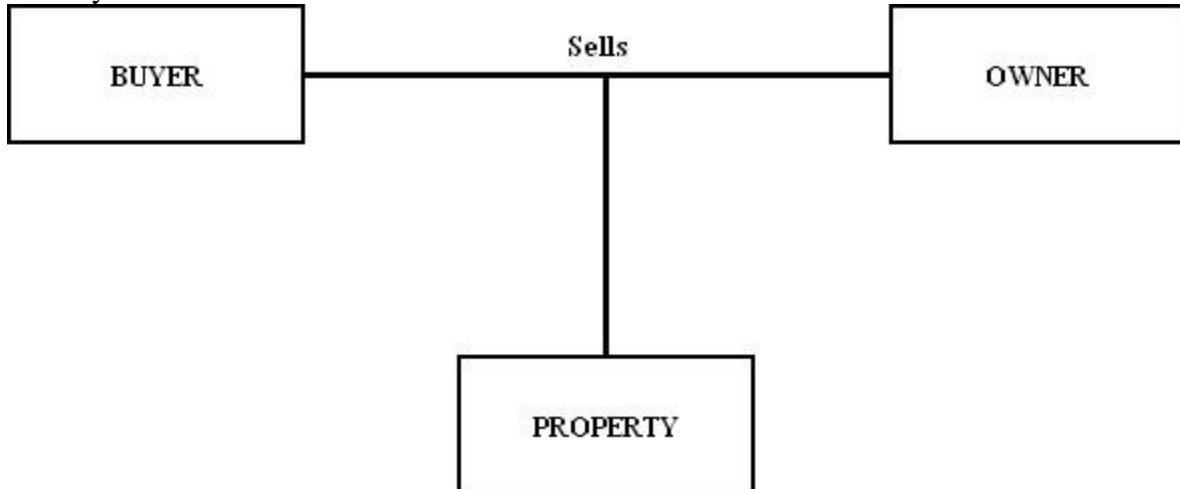


14. Attribute examples:

- a. Derived – distance (rate x time); both rate and time could be stored, and then when the data is retrieved from the database (e.g., at run-time) the distance could be calculated from the already-stored data elements
- b. Multivalued – spoken language; a person can speak more than one language
- c. Atomic – Social Security Number; this United States National Identification number cannot be broken down into component parts
- d. Composite – Phone Number; a phone number is often broken down into country code, area code, and the rest of the phone number
- e. Required – First Name or Last Name of a person; although Middle Initial may be optional, a person's First Name and Last Name are generally necessary for business records in a database so the person can be appropriately addressed
- f. Optional – Middle Initial; a person's middle initial may be optional for identification purposes or also because some people may not have a middle name

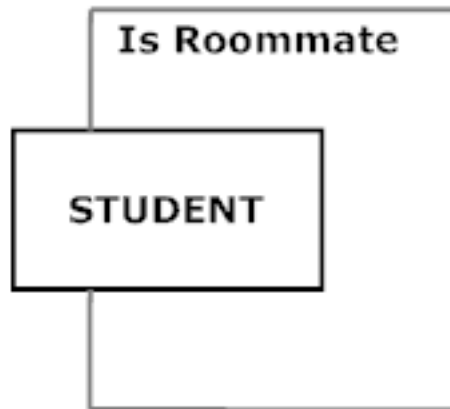
15. Examples of relationships:

Ternary



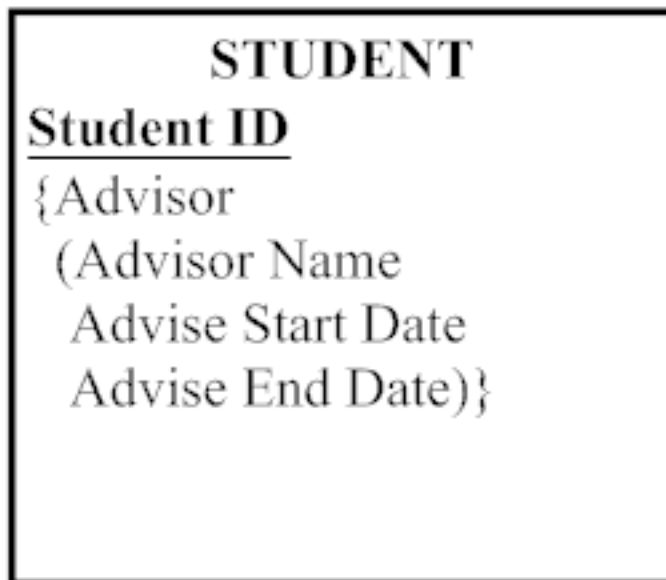
The sale of a property is a simultaneous relationship among the PROPERTY, a BUYER, and an OWNER entity types. This “event” cannot be modeled appropriately with three binary relationships.

15. Examples of relationships (continued):
- a. Unary



In an on-campus dormitory/apartment situation, this diagram shows a recursive/unary relationship among instances of the STUDENT entity type. This notation indicates only the current roommate situation between instances of the STUDENT entity type.

16. Effective (or effectivity) dates are used in a data model when the organization wishes to record historical data, rather than just the current instance. A few examples might include the effective date of a product price or service rate. Another example might be the start and end date of an advisor's assignment to work with a student at a university (see E-R segment below).



17. A data modeler should consider extracting an attribute from one entity type and placing it in another entity type linked by a relationship when the attribute is the identifier or some

other characteristic of an entity type in the data model, and multiple entity instances need to share these same attributes.

18. Special guidelines for naming relationships include:
 - A relationship name should always be a verb phrase and should state the action taken, as opposed to the result of the action taken.
 - Use descriptive, powerful verb phrases as opposed to vague names.
19. The relationship definition should also explain the following:
 - any optional participation
 - the reason for any explicit maximum cardinality
 - any mutually exclusive relationships
 - any restrictions on participation in the relationship
 - the extent of history that is kept in the relationship
 - whether an entity instance involved in a relationship instance can transfer participation to another relationship instance
20. Presently, the cardinality is one-to-many. One possible scenario is an employee who is supervised by more than one manager. This would make the cardinality many-to-many. Another possibility is that the employee is supervised by one manager, and the manager only supervises one employee. This would result in a one-to-one cardinality. If we take time/history into consideration, the idea of someone being managed currently versus never being managed could affect the cardinality. As we can see here, you cannot always tell what the business rule is by looking at the ERD. These possible scenarios will need to be discussed with the end user to determine the “correct” modeling representation for the business rules at this organization.
21. An entity type can be thought of as a template, defining all of the characteristics of an entity instance. For example, “student” would be an entity type, whereas *you* are an instance of “student.”
22. Converting a ternary relationship into an associative entity is recommended for two main reasons: (1) researchers have shown that participation/cardinality constraints cannot be accurately represented for a ternary relationship with current notation; and (2) most E-R diagramming tools cannot represent ternary relationships. By converting a ternary relationship into an associative entity with three mandatory binary relationships, a data modeler can accurately represent the participation/cardinality constraints although the meaning/semantics of the original ternary relationship is lost with this solution.

Answers to Problems and Exercises

1. Each answer refers to Figure 2-22 found in the chapter text.

- a) Where is a unary relationship, what does it mean, and for what reasons might the cardinalities on it be different in other organizations?

A unary relationship is shown with the EMPLOYEE entity; An EMPLOYEE Supervises 0:M EMPLOYEEs, An EMPLOYEE Is Supervised By 0:1 EMPLOYEE. This relationship tells us that we can determine what employees are supervised by another employee, as well as determine which employees are supervisors in this company.

In other organizations, there may be different policies regarding employee supervision that could cause the data relationships among EMPLOYEE instances to be different. For instance, another company might allow an employee to have multiple supervisors (e.g., in an organization with a matrix structure).

- b) Why is Includes a one-to-many relationship and why might this ever be different in some other organization?

Includes is a one-to-many (1:M) relationship because of the business rules that PVFC has in place: “a product line may group any number of products but *must group at least one product*; and each product *must belong to exactly one product line*.” Another organization may have other business rules that could permit a product being assigned to more than one product line (changing Includes to a M:N relationship). Alternatively, another organization might also show Includes as a (1:M) overall relationship but might permit the establishment of a PRODUCT LINE without identifying PRODUCTS that belong to this group (e.g., thus permitting an optional minimum cardinality on the PRODUCT side of the Includes relationship).

- c) Does Includes allow for a product to be represented in the database before it is assigned to a product line (e.g., while the product is in research and development)?

No, Figure 2-22 shows that the PRODUCT must be Included in at least 1 PRODUCT LINE by the mandatory 1 and only 1 cardinality notation near the PRODUCT LINE portion of the Includes relationship line. The cardinality notation would have to be changed to show optional 1 cardinality in order to represent the research and development situation.

- d) Suppose there is a rating of the competency for each skill an employee possesses, where in the data model would we place this rating?

The Has Skill associative entity, that associates a single instance of a SKILL with a single instance of an EMPLOYEE, would permit the tracking of a competency rating for each skill in which an employee has competence.

- e) What is the meaning of the Does Business In associative entity and why does each Does Business In instance have to be associated with exactly one TERRITORY and CUSTOMER?

The Does Business In associative entity associates a single instance of a TERRITORY with a single instance of a CUSTOMER for the overriding M:N Does Business In relationship between TERRITORY and CUSTOMER. Each Does Business In instance must be related to exactly one TERRITORY and one CUSTOMER because the business

rules of PVFC indicate that sales territories have been established for its customers. In particular, the rules are: *a TERRITORY has one-to-many CUSTOMERS; and a CUSTOMER may do business in 0:M TERRITORIES.* When converting this M:N relationship on the ERD, the cardinalities near the originating entities will always be mandatory 1, indicating the exactly one relationship with each entity's instances and the associative entity's instance.

- f) In what way might Pine Valley change the way it does business that would cause the Supplies associative entity to be eliminated and the relationships around it change?

According to current business practice at PVFC, each RAW MATERIAL is provided by 1 or more VENDORS and a VENDOR supplies 0, 1, or many RAW MATERIALs and this is represented by the Supplies associative entity. The PVFC could consider entering into exclusive supplier arrangements with particular vendors such that an instance of RAW MATERIAL is supplied by only 1 VENDOR. If that situation should occur, then the overall relationship between RAW MATERIAL and VENDOR would change to 1:M (instead of M:N) and the Supply Unit Price attribute could become part of the RAW MATERIAL entity instance; the Supplies associative entity would no longer need to be on the ERD.

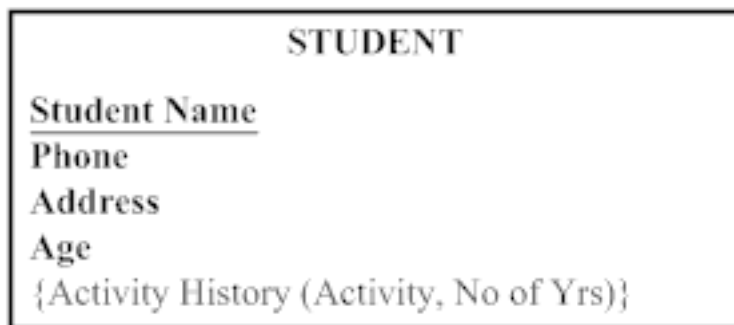
2. Analysis of Figure 2-22:
 - 2.1. Entities PRODUCT, PRODUCT LINE; relationship Includes
 - 2.2. Entities CUSTOMER, ORDER; relationship Submits
 - 2.3. Entities ORDER, PRODUCT; associative entity ORDER LINE
 - 2.4. Entities CUSTOMER, TERRITORY; associative entity Does Business In
 - 2.5. Entities SALESPERSON, TERRITORY; relationship Serves
 - 2.6. Entities PRODUCT, RAW MATERIAL; relationship Uses
 - 2.7. Entities RAW MATERIAL, VENDOR; relationship Supplies
 - 2.8. Entities WORK CENTER, PRODUCT; associative entity Produced In
 - 2.9. Entities EMPLOYEE, WORK CENTER; associative entity Works In
 - 2.10. Entity EMPLOYEE; relationship Supervises, Is Supervised By
3. Student answers will vary based on the CASE or drawing tool that is used and their personal experiences. The answers should describe their experiences with the CASE or drawing tool in terms of the requirements of the E-R notation used in the chapter. Expect to see students make reference to noting identifiers, using associative entities, using cardinality constraints properly, indicating required vs. optional attributes, and noting derived/composite/multivalued attributes.

4.

- 4a) The ERD for City B does not (nor does any ERD) tell us why the cardinality is 1:M. The more restrictive cardinality for City B could be due to a business rule that they want to maintain only current volunteers but it could also be due to only tracking the agency for which the volunteer works the most hours of assistance. More detailed discussions would need to be held with the end users to properly document this business rule; notes should be added to the diagram to depict the appropriate business rule.
- 4b) The ERD for City A shows that a volunteer may assist one, none, or several agencies.
- 4c) The native notation used in ERDs does not show whether membership in a relationship can change (i.e., whether a volunteer can change agencies or whether an agency can change its volunteers). Some DBMSs can be told whether membership can change or not, and special notation or textual notes can be added to an ERD to state such business rules. The minimum cardinality next to Agency does address whether a Volunteer must always be associated with an Agency to exist in the database, but none of the cardinalities control whether linkages between specific agencies and volunteers can change. More detailed discussions would need to be held with the end users to properly document this business rule; notes should be added to the diagram to depict the appropriate business rule.

	City A	City B	Can't Tell
a. Which city maintains data about only those volunteers who currently assist agencies?			X
b. In which city would it be possible for a volunteer to assist more than one agency?	X		
c. In which city would it be possible for a volunteer to change which agency or agencies she assists.			X

5. Note: Assume Student Name is unique and available to be used as the identifier.



6. Are associative entities also weak entities? Why or why not? If yes, is there anything special about their “weakness”?

A weak entity requires the presence of another entity type; the weak entity does not exist independently from the other entity type and has no business meaning in the ERD without the other entity type. A weak entity will not have its own identifier, but will have a partial identifier attribute that will later be combined with the identifier of its strong entity owner to create a full identifier.

An associative entity is an entity type that associates the instances of one or more entity types and contains attributes specific to the relationship between those entity instances. An associative entity generally has independent business meaning to end users and can be identified with a single-attribute identifier. If an associative entity meets these conditions, then it would not be considered a weak entity.

7. In Figure 2-22, we have the following associative entities:

DOES BUSINESS IN: between TERRITORY and CUSTOMER

Although this entity has no attributes and no independent meaning, it is the only way that Visio can represent the M:N relationship between TERRITORY and CUSTOMER.

ORDER LINE: between PRODUCT and ORDER

This relationship has an attribute: Ordered Quantity that reflects the amount of product on each line of the order by the customer. It has independent meaning on the Customer’s Order.

USES: between PRODUCT and RAW MATERIAL

This relationship has one attribute, Goes Into Quantity. It also may have independent meaning, although there is no obvious independent identifier.

SUPPLIES: between RAW MATERIAL and VENDOR

Since there is an attribute on this entity and it can have independent meaning, it might be a good candidate to convert to an associative entity.

PRODUCED IN: between WORK CENTER and PRODUCT

Although this entity has no attributes and no independent meaning, it is the only way that Visio can represent the M:N relationship between WORK CENTER and PRODUCT.

WORKS IN: between WORK CENTER and EMPLOYEE

Although this entity has no attributes and no independent meaning, it is the only way that Visio can represent the M:N relationship between WORK CENTER and EMPLOYEE.

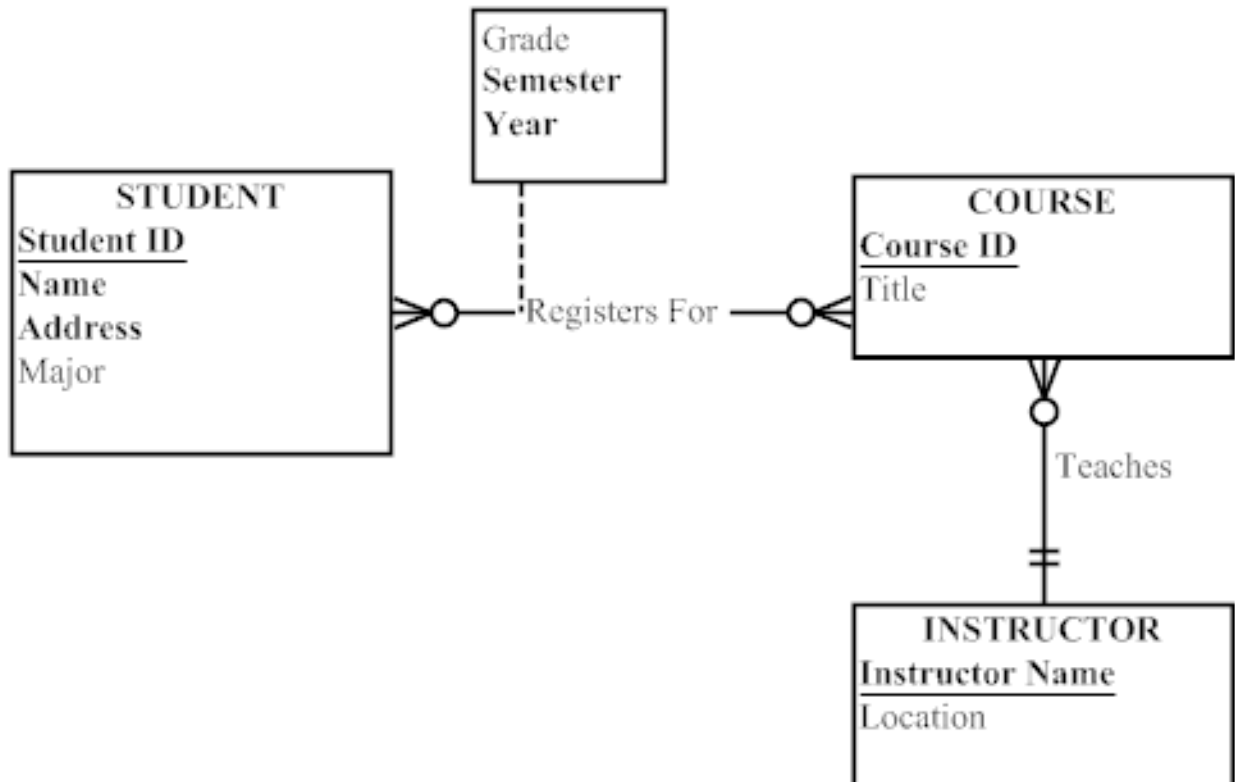
HAS SKILL: between EMPLOYEE and SKILL

Although this entity has no attributes and no independent meaning, it is the only way that Visio can represent the M:N relationship between SKILL and EMPLOYEE.

There are so many associative entities because there are many M:N relationships that have independent meaning and because Visio’s templates cannot represent M:N relationships.

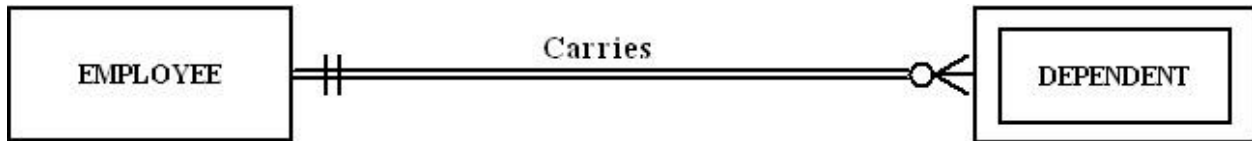
8. Student ID was chosen as the identifier for the STUDENT entity type as it is likely unique. Course ID was chosen as the identifier for the COURSE entity type as it is likely unique. Instructor Name was chosen as the identifier for the INSTRUCTOR entity type and it is assumed to be unique—should discussions during analysis work prove otherwise, it may be wise to create either (a) a composite identifier comprised of Instructor Name and Location, or (b) a new attribute Instructor ID that will be a unique number which can serve as an identifier.

NOTE: The addition of Semester and Year attributes on the Registers for relationship allows this diagram (and resulting database) to reflect multiple semesters of data.

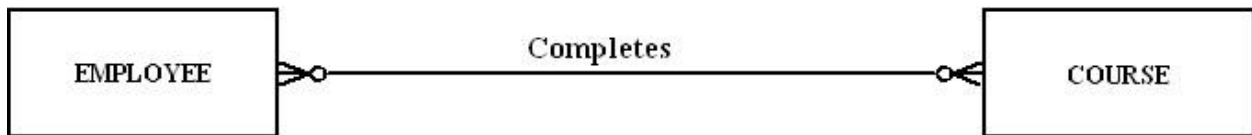


9. Note: attributes are omitted from the ERD solutions for this Problem and Exercise in order to save space in the Instructor's Manual.

a. Figure 2-5



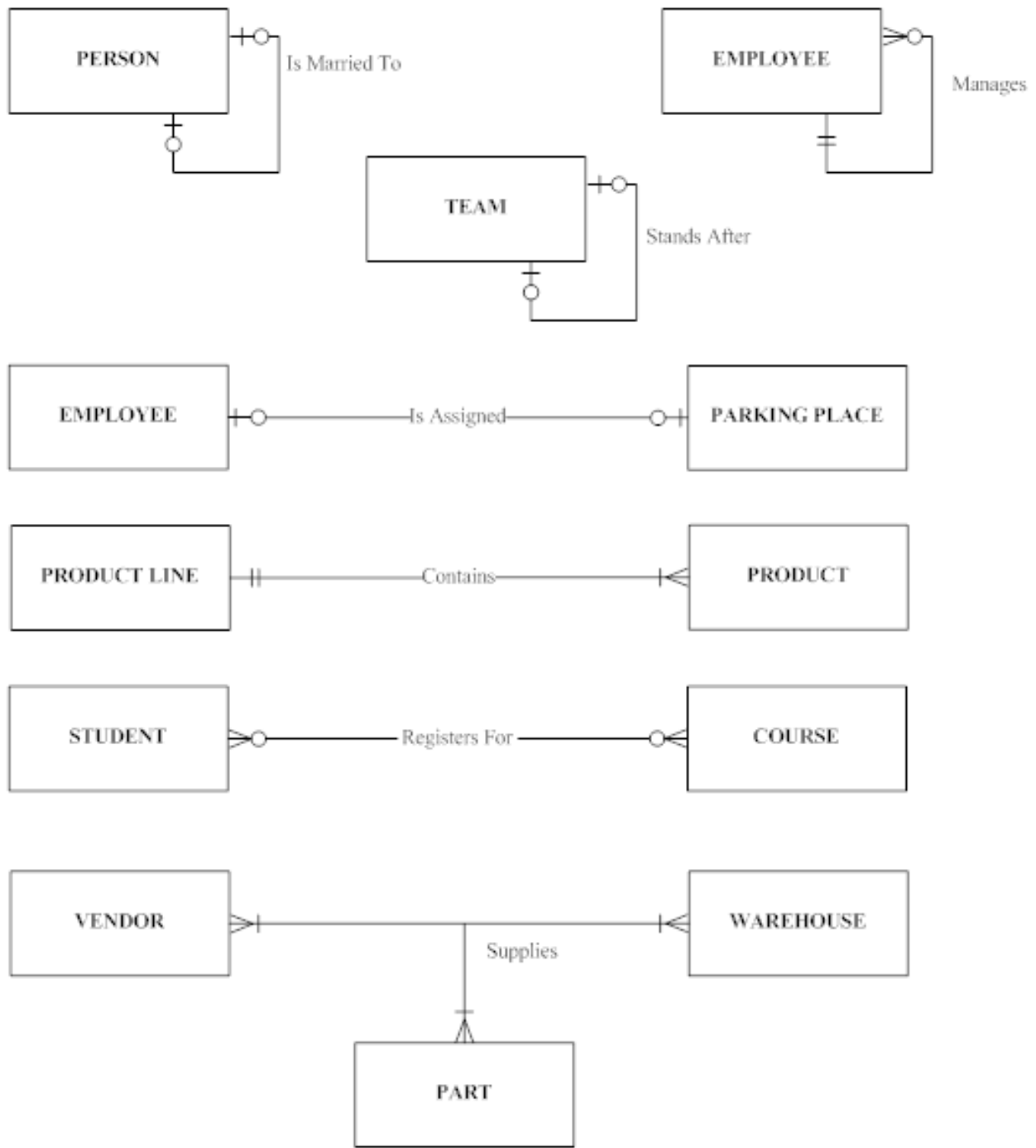
b. Figure 2-10a



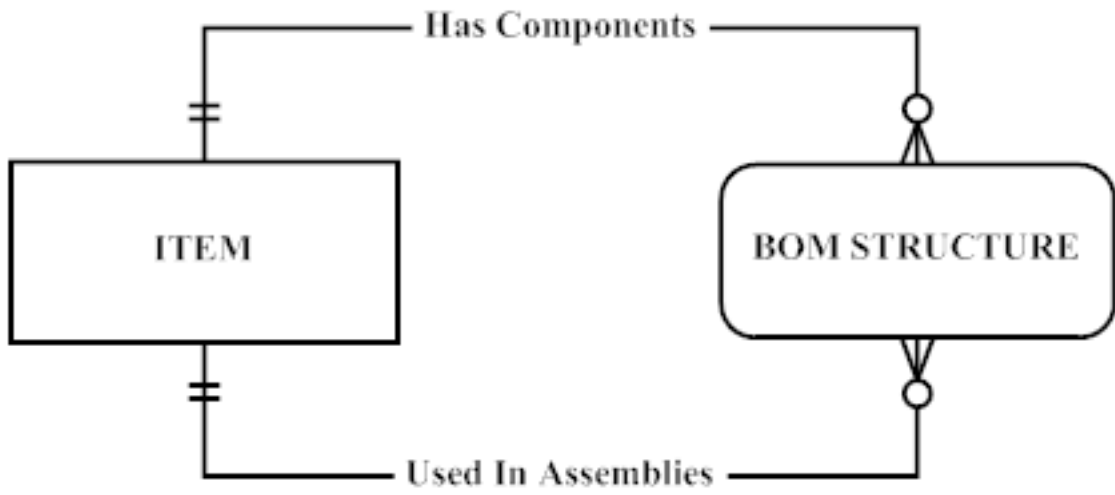
c. Figure 2-11b



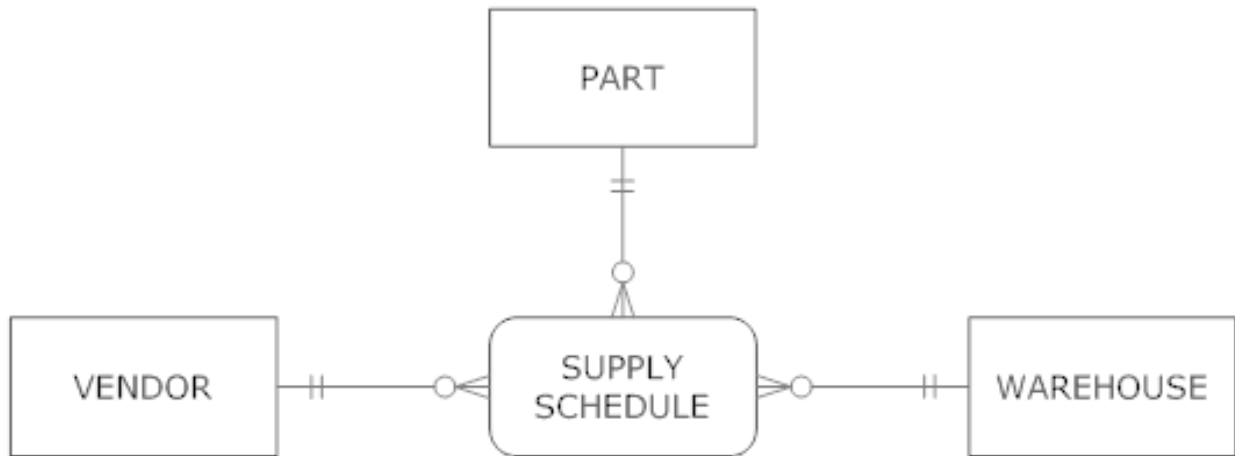
d. Figure 2-12 (all parts)



e. Figure 2-13c

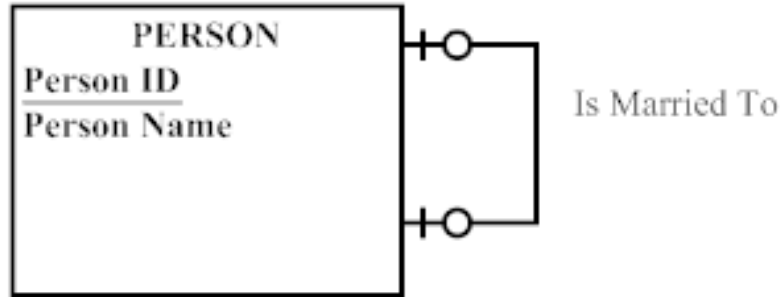


f. Figure 2-14

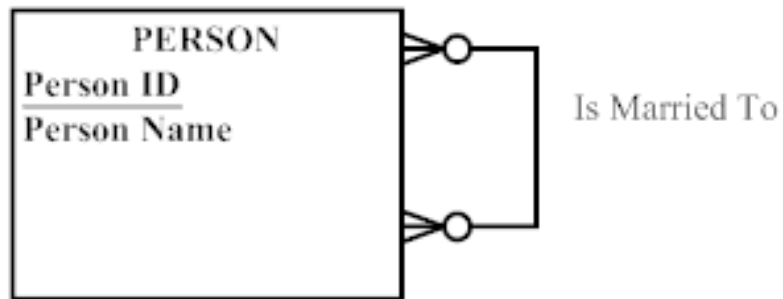


10.

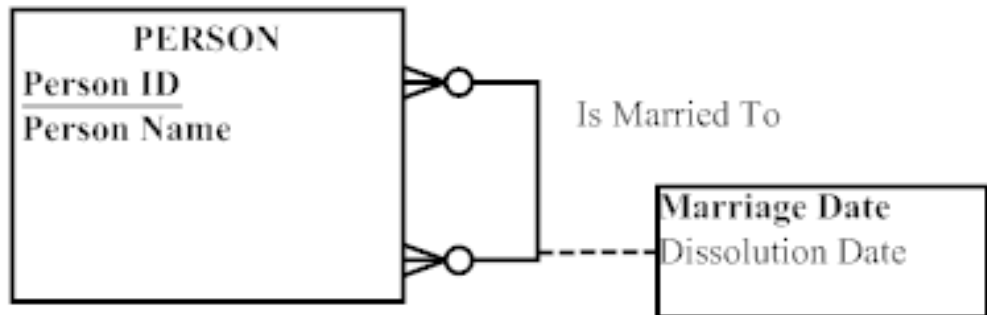
Problem & Exercise 10a



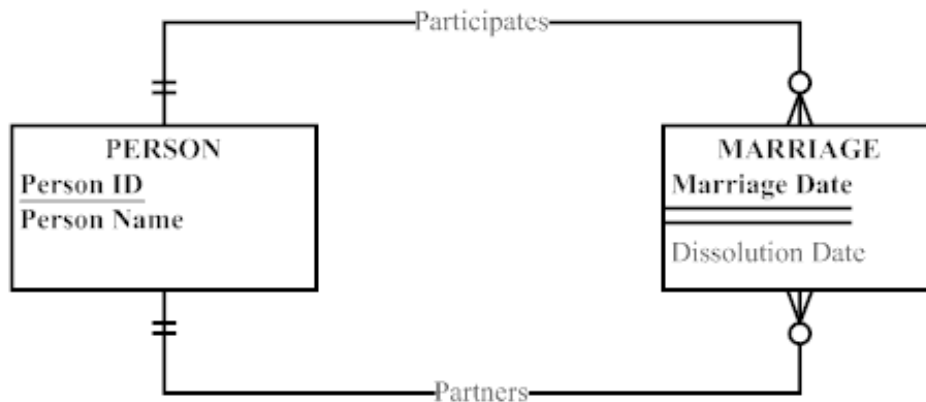
Problem & Exercise 10b



Problem & Exercise 10c



Problem & Exercise 10d



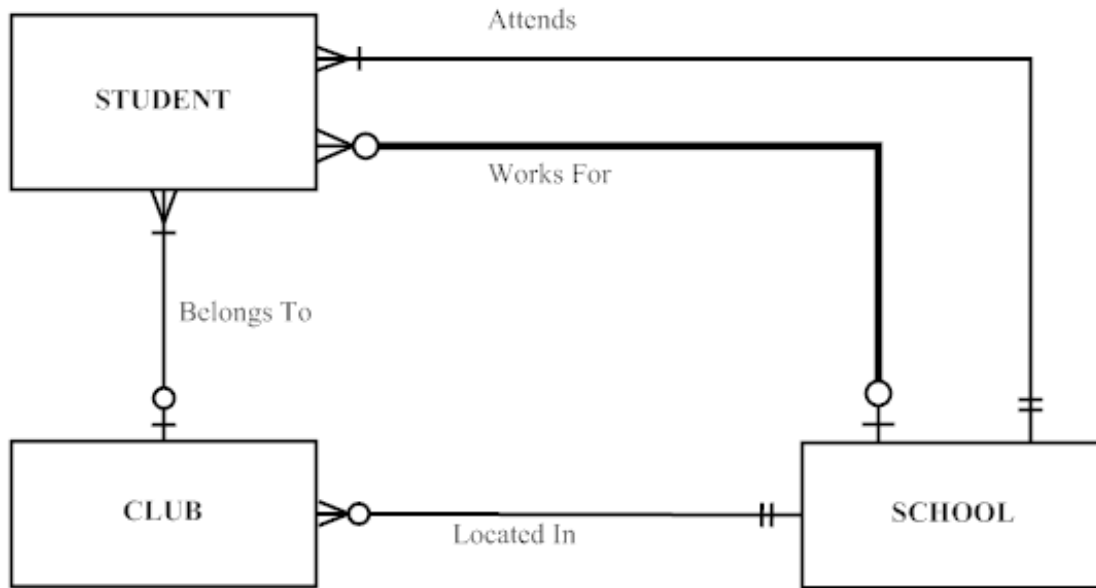
Notes:

- 1) This solution presumes that Marriage Date is a partial identifier of the MARRIAGE entity; a full composite identifier will include Marriage Date and the two Person IDs involved in the marriage. The solution also assumes that the same two people do not get married, dissolved, and re-married on the same date. Adding a Marriage Time attribute (also a part of the identifier) would permit this situation to be covered by this model.
- 2) An alternate solution would be to use a surrogate identifier of License No instead of the suggested composite identifier of Marriage Date and the two Person IDs for the MARRIAGE entity.

Problem & Exercise 10e:

The solution in 10d does not place any restrictions on the number of persons to whom any one person is simultaneously married, thus the 10d solution is sufficient in representing the lack of legal restrictions regarding the number of marriage partners.

11.



11a)

A STUDENT Works For 0:1 SCHOOL; A SCHOOL Employs 0:M STUDENTS

11b)

A STUDENT may belong to a CLUB only when located in the SCHOOL s/he Attends

11c)

Student answers may vary. Alternative solutions are as follows:

- Since the STUDENT may not Work For a SCHOOL (the employment is optional), the Works For relationship is needed in the diagram in order to properly represent this business rule. This solution makes it harder for the database to enforce the business rule that a STUDENT works for the SCHOOL that s/he attends, but opens up the possibility that a STUDENT could work for a SCHOOL that s/he is not currently attending.
- An alternative design would be to remove the Works For relationship, and add an attribute to STUDENT named Works that would have a binary (Y/N) value to represent whether or not the STUDENT instance is working for the SCHOOL s/he Attends. The advantage of this design is that it would enforce the business rule that a STUDENT can only work for a SCHOOL that s/he is currently attending.

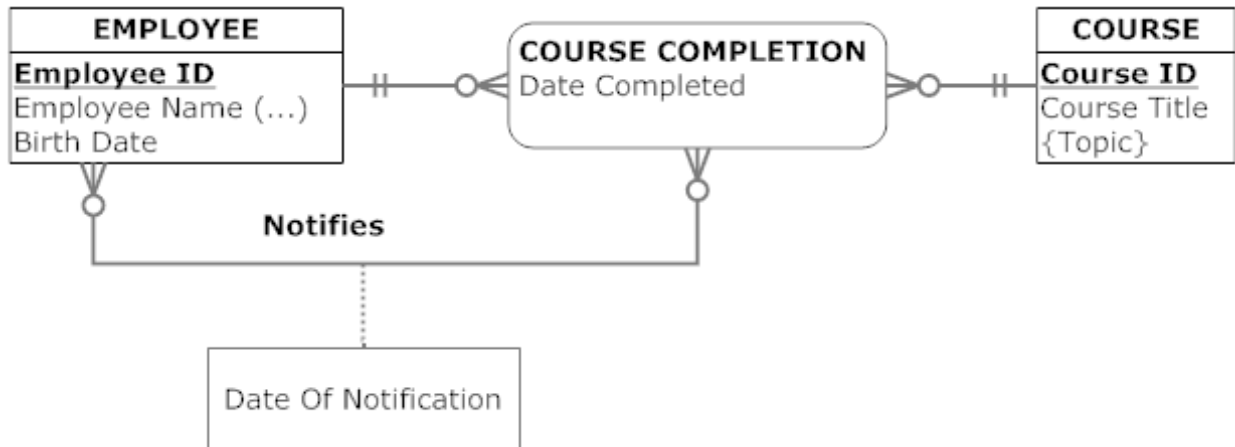
12. Figure 2-27 shows two diagrams (A and B), both of which are legitimate ways to represent that a stock has a history of many prices. Which of the two diagrams do you consider a better way to model this situation and why?

Note to Instructor: Student answers may vary. The crux of the answer relies upon what is the purpose of the ER diagram for the modeling situation and how end users in the organization “see” the situation. In particular, do people in the organization have a term for stock price and refer to it as its own concept?

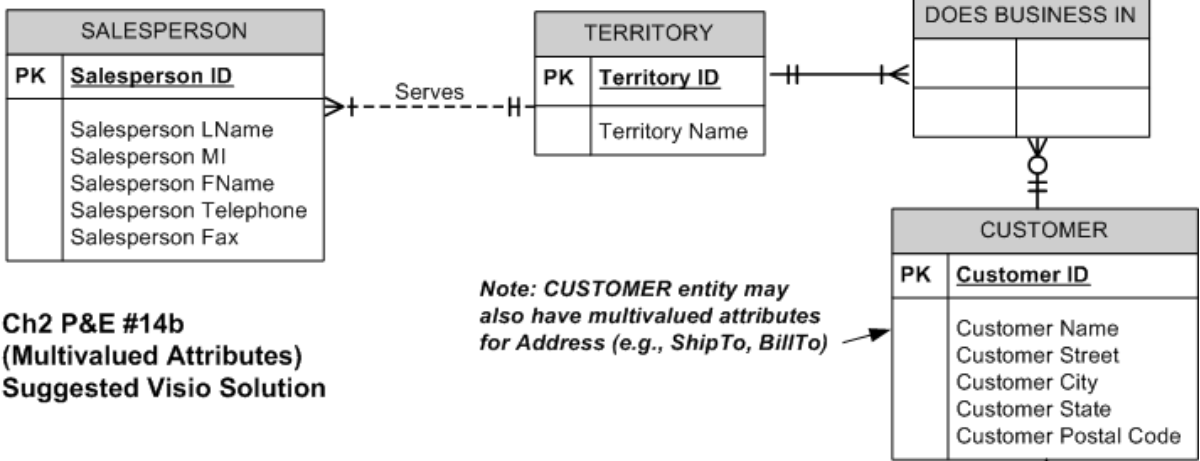
If so, solution B may be the “better” way to model this situation. Instructors may also use solution B to demonstrate an issue related to view integration (topic in chapter 4) where transitive dependencies emerge; solution B makes the model easy to expand so that stock prices may have relationships that do not directly involve the STOCK entity.

Solution A indicates that each STOCK has multiple prices and is well-suited to early discussions with end users about the data needs of a system. Solution B adds the precision of multiple STOCK PRICE entity instances occurring for each STOCK entity instance. Solution B indicates that STOCK PRICE is a weak entity whose instances do not exist independently in the database without a corresponding STOCK entity instance. Solution B presents more precise detail of the data relationships that will likely be developed in the logical design of the database; this model may more closely resemble the relational model implementation of this design. Solution B also makes it easy to expand the model so that stock prices may have relationships with other entities that do not directly involve the STOCK entity.

13. Figure 2-11a (Modified)

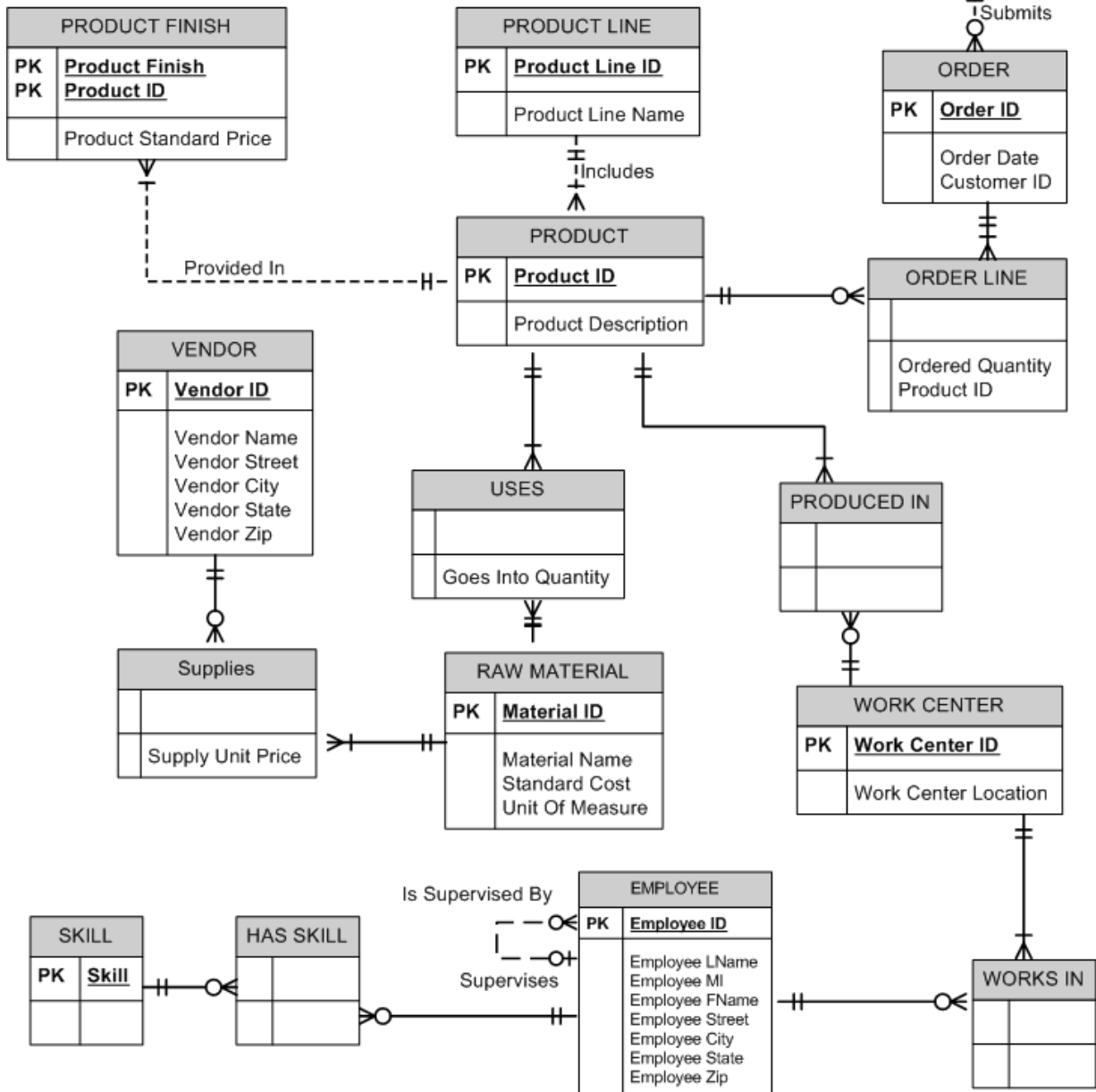


14b. There could be more than 1 product finish for a product, which could affect the price.



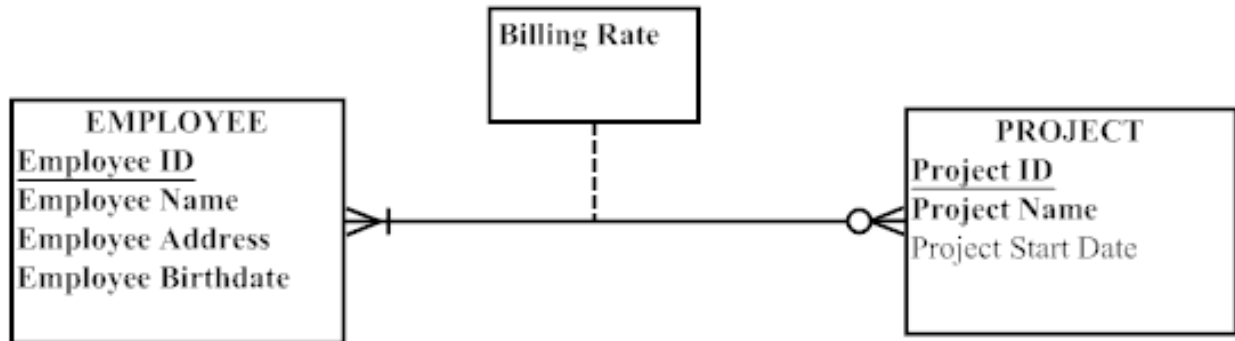
**Ch2 P&E #14b
(Multivalued Attributes)
Suggested Visio Solution**

Note: CUSTOMER entity may also have multivalued attributes for Address (e.g., ShipTo, BillTo)



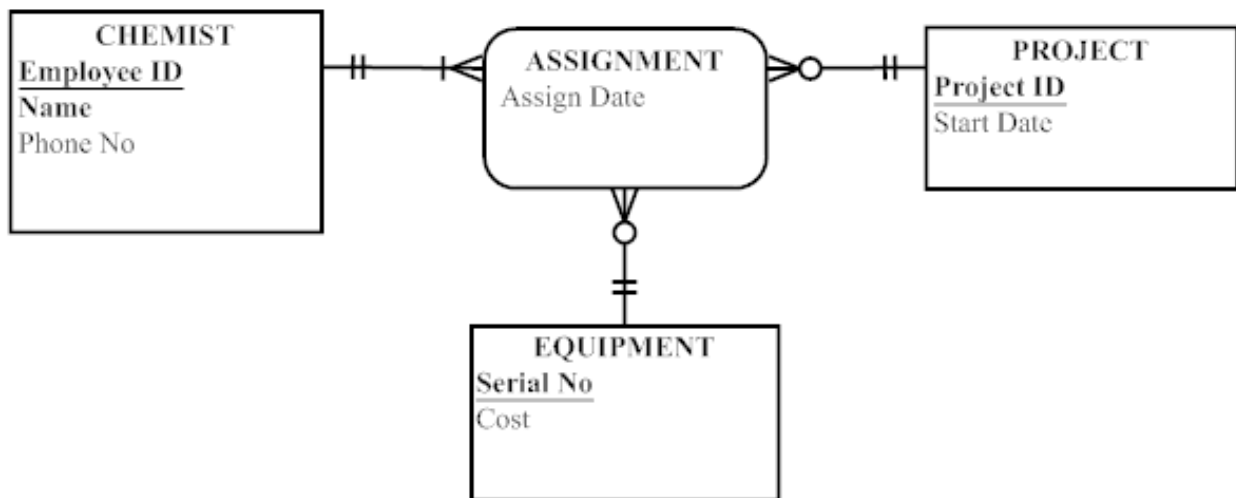
14c. Yes, this would be possible. For example, a customer could have more than 1 address.

15a.



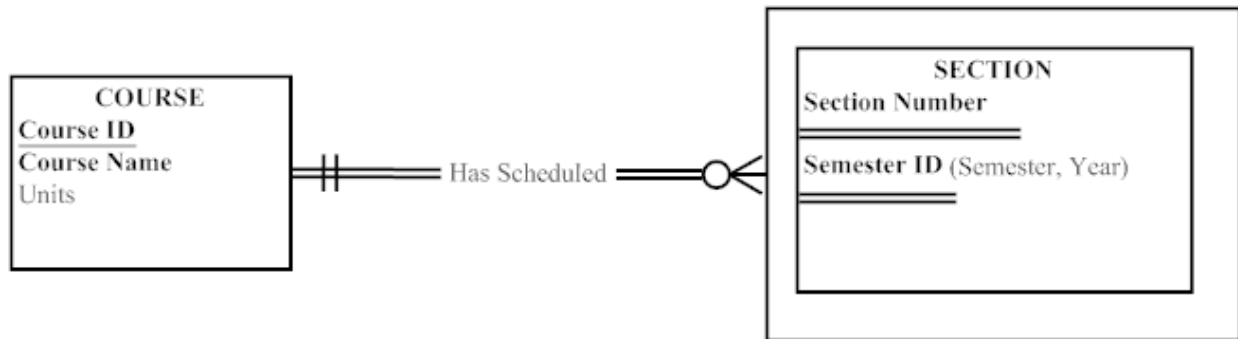
Yes, the attribute names do generally follow the guidelines for naming attributes.

15b.



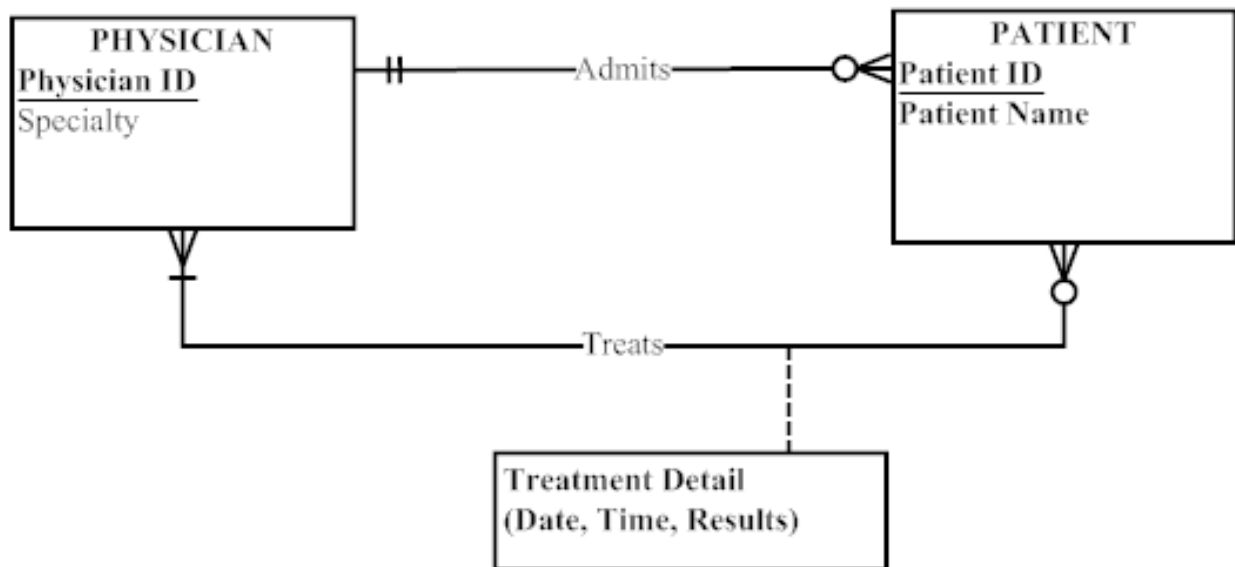
Assignment: All three entities participate in the Assigned relationship that is modeled as an associative entity Assignment, since the Assign Date for each CHEMIST's assignment to a particular project and equipment item must be tracked. However, EQUIPMENT and PROJECT do not need to participate in any assignments. All entities can have multiple assignments.

15c.



Note: SECTION is modeled as a weak entity. It could have been modeled as a multivalued attribute; however, using a weak entity is better, since SECTION may have a relationship with another entity. A multivalued attribute could not be used to show this relationship.

15d.

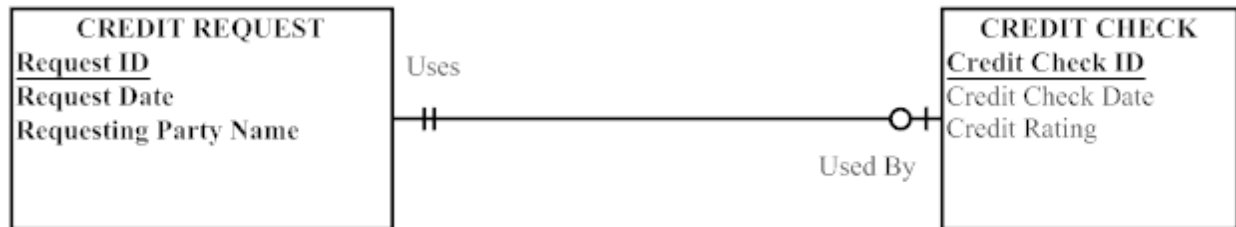


Both Admits and Treats relationships were created since the patient could be treated by other PHYSICIANS in addition to the admitting PHYSICIAN. Hospital was not included as an entity in this case as there was insufficient information in the scenario write-up to indicate that the data model needed to allow for multiple hospitals (e.g., in the case of a large health-care organization). The current ERD does not allow for the tracking of multiple admissions over time by different physicians. The ERD would need a M:N relationship between PHYSICIAN and PATIENT in order to track that kind of data. If the date of admission needs to be tracked, under the circumstances of tracking multiple admissions over time, the ERD could be revised to show Date Admitted as an attribute of the M:N Admits relationship, just as Treatment Detail is an attribute of the Treats relationship. The ERD could also be revised to show ADMISSION and TREATMENT DETAIL associative entities (with corresponding attributes) instead of the M:N relationships currently discussed.

15e. **First situation:** credit check can be used by more than 1 request.



Second Situation: CREDIT CHECK can only be used by 1 CREDIT REQUEST (2 entities)

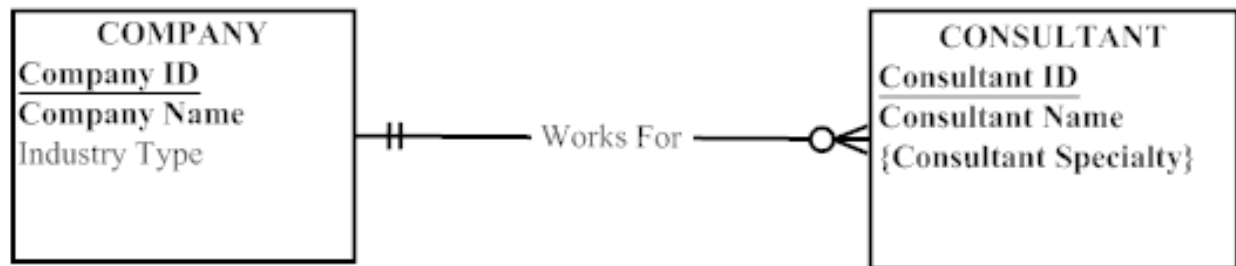


Second Situation: CREDIT CHECK can only be used by 1 request (1 entity)

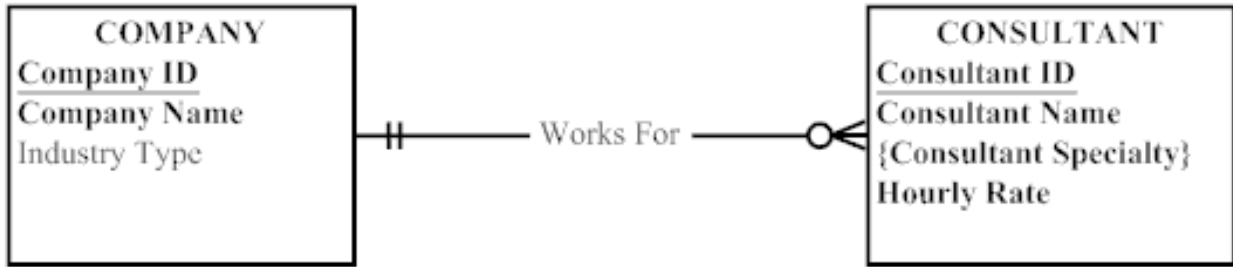


Using 1 entity type seems much simpler since the credit check and rating only apply to this credit request. However, Credit Check Date and Credit Rating will have blank values (null) until the credit check is received.

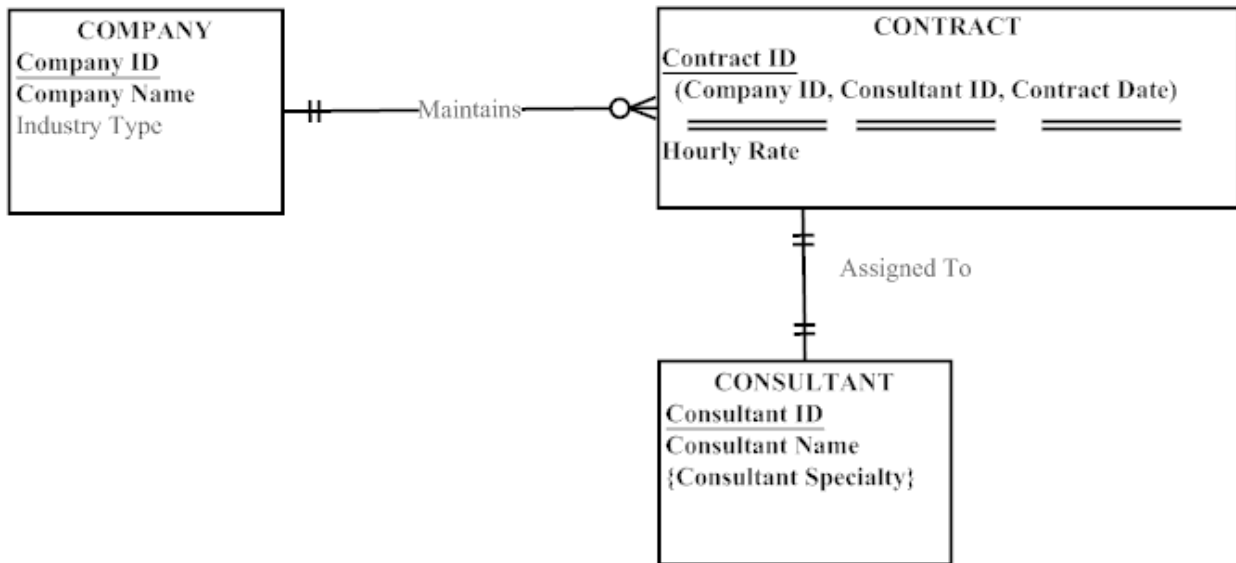
15f. Starting point diagram:



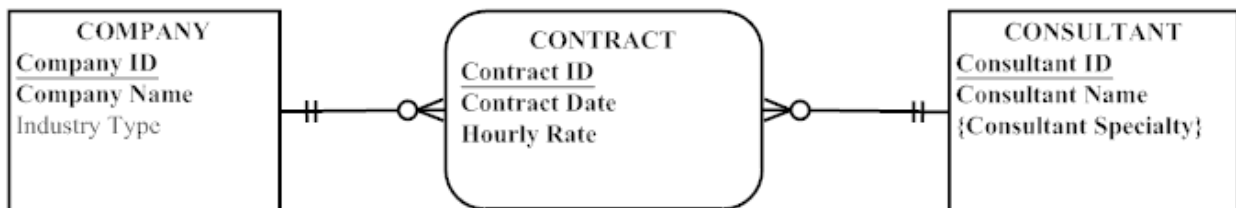
(15f continued) Situation 1 – Adding Hourly Rate attribute. This could be added to the CONSULTANT entity if the business rule is that a CONSULTANT Works for only 1 COMPANY at a time.



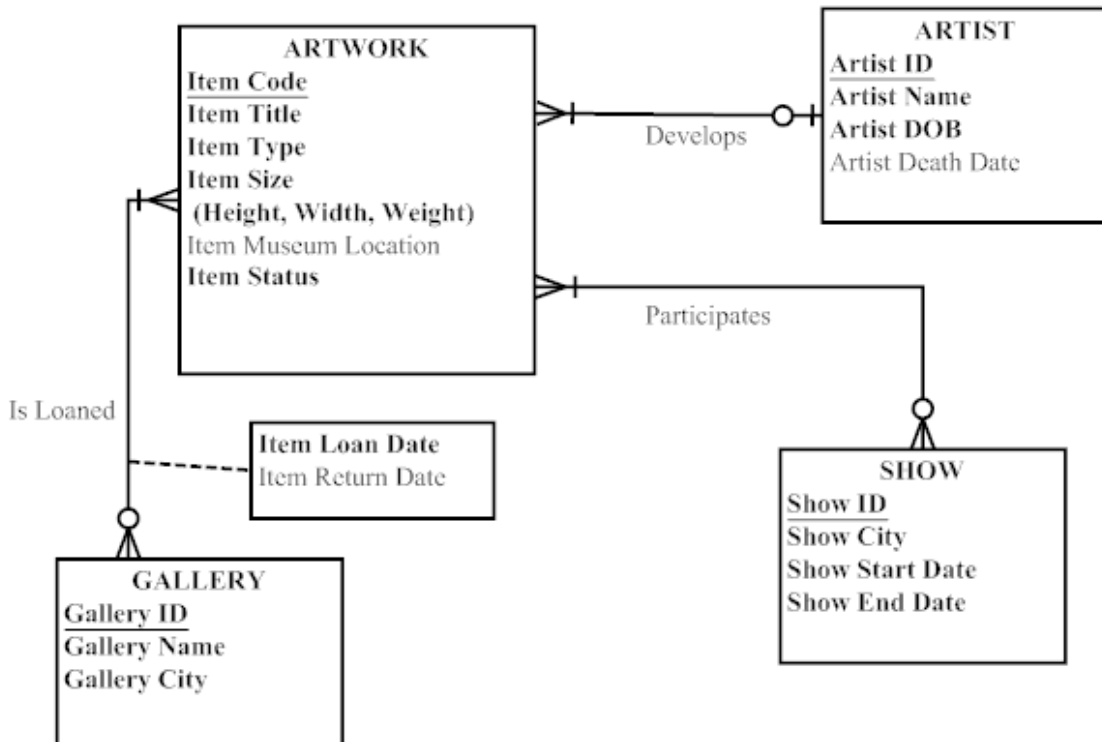
Situation 2 – Tracking a consultant’s contract. **Note** that CONTRACT is added as another entity that participates in a binary relationship with COMPANY and a binary relationship with CONSULTANT. We have moved the Hourly Rate attribute to the CONTRACT entity, which permits a CONSULTANT to vary his/her Hourly Rate as a function of the particular CONTRACT for a COMPANY. As only current CONTRACTs are tracked, an alternative solution would be to move the CONSULTANT attributes into the CONTRACT entity and eliminate the CONSULTANT entity from the model. The downside to this alternative solution is that Consultant Name and Consultant Specialty would occur redundantly in the CONTRACT entity instances.



Situation 3 – We want to track historical CONTRACT information. We can create an associative entity for CONTRACT. We’ve also added Contract ID as a surrogate identifier that is a unique serial number (not a composite identifier, as shown in Situation 2 above).



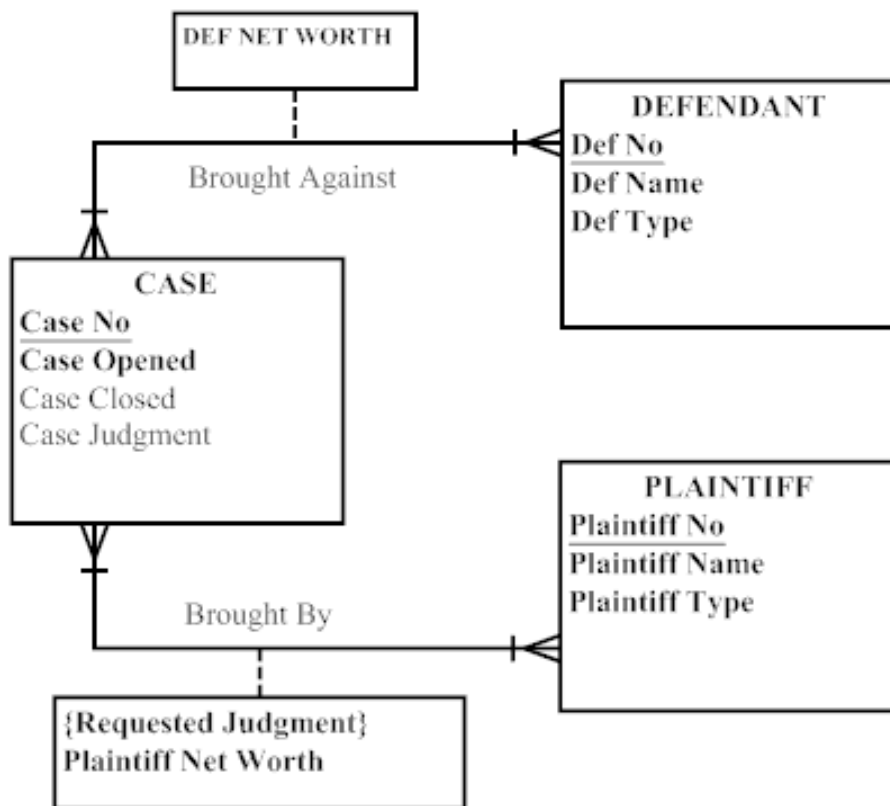
15g.

Notes:

- 1) ARTWORK is created by 0:1 ARTIST (0 for Unknown ARTIST); alternative design would be to have a valid ARTIST instance with a Name of "Unknown"; this would enable you to enforce a business rule that each piece of ARTWORK must have an ARTIST stored in the database and the cardinality would change to mandatory 1 near the ARTIST entity in the diagram.
- 2) Item Status attribute of ARTWORK permits designation of ARTWORK as Display (and then a valid value for Item Museum Location attribute), Storage, Loan, or Show.
- 3) An ARTWORK item may participate in a SHOW; however, there is not a way to note on the ERD that an ARTWORK item cannot be a part of two shows with overlapping dates. This constraint will need to be noted as part of the system design documentation.

- 15h. **Note to Instructor:** This problem and exercise is a good lead-in for Chapter 3 modeling notation for the Extended Entity Relationship Diagram (EERD). The P&E offers several chances to provide better representation in the EERD (with subtyping) than the ERD notation that is provided in Chapter 2. Using EERD notation, a single LEGAL ENTITY can be shown as a supertype, with subtypes of DEFENDANT and PLAINTIFF. The ‘type’ (person or Organization) characteristic of both DEFENDANT and PLAINTIFF may also be considered for further subtyping. The solution presented here is a valid answer to the P&E, given the limitations of basic ERD notation and what is currently known about the situation.

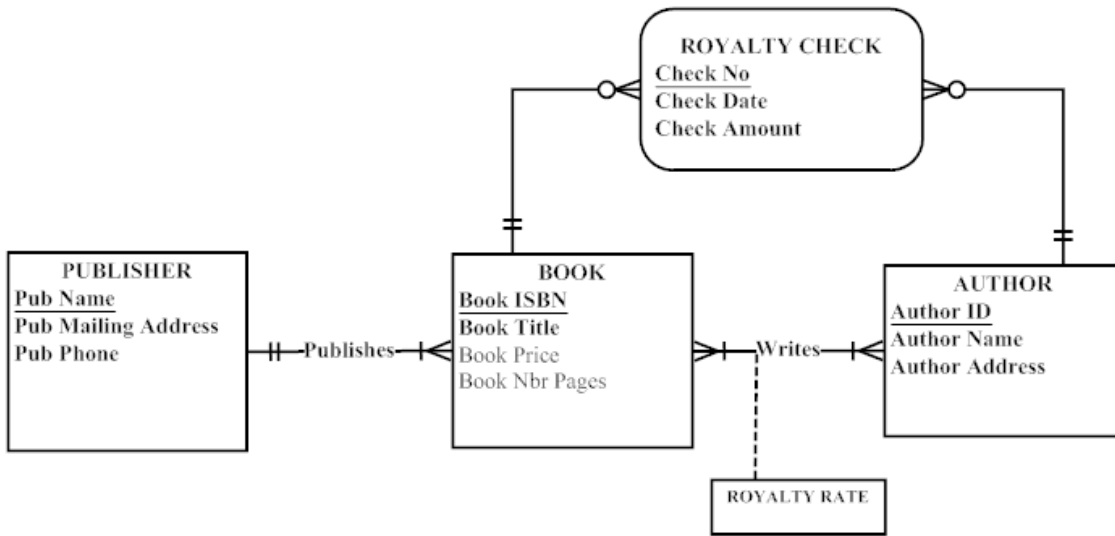
This P&E also provides the instructor with an opportunity to discuss how history might be modeled if the business assumption regarding the tracking of Net Worth for both Plaintiff and Defendant was changed from only being concerned with Net Worth at the time of the CASE, to wanting to track the Net Worth over time of each party to the CASE. Refer to the chapter section on “Modeling Time-Dependent Data” and Figure 2-19 for more information on how this ERD could be revised.



Notes:

- 1) Def Type and Plaintiff Type are used to denote Person or Organization type of legal entity.
- 2) Net Worth of both Plaintiff and Defendant is relevant only at the time of the CASE, thus is modeled as attributes of the M:N relationships between CASE and PLAINTIFF, DEFENDANT.

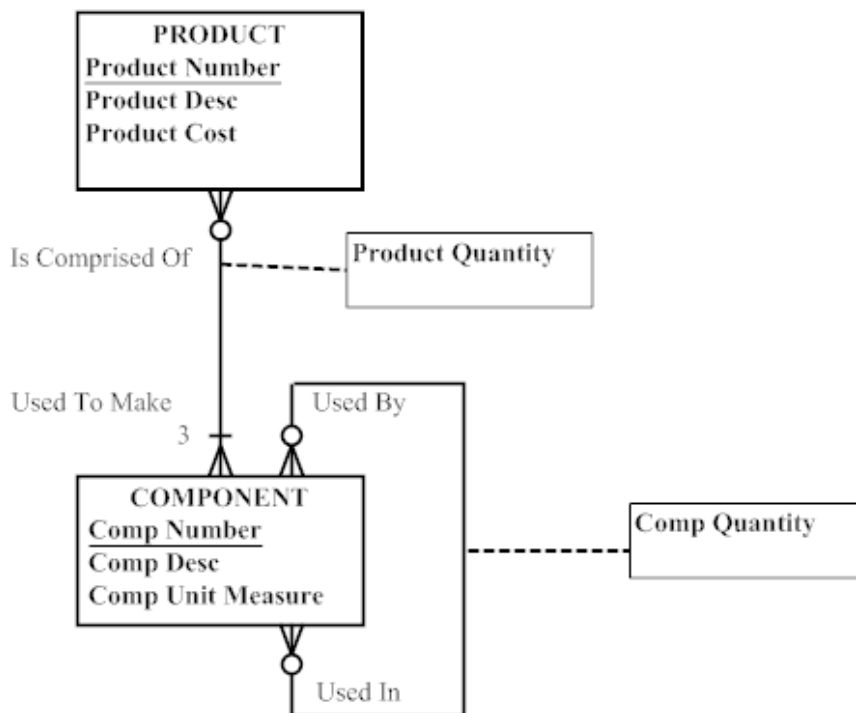
15i.



Note:

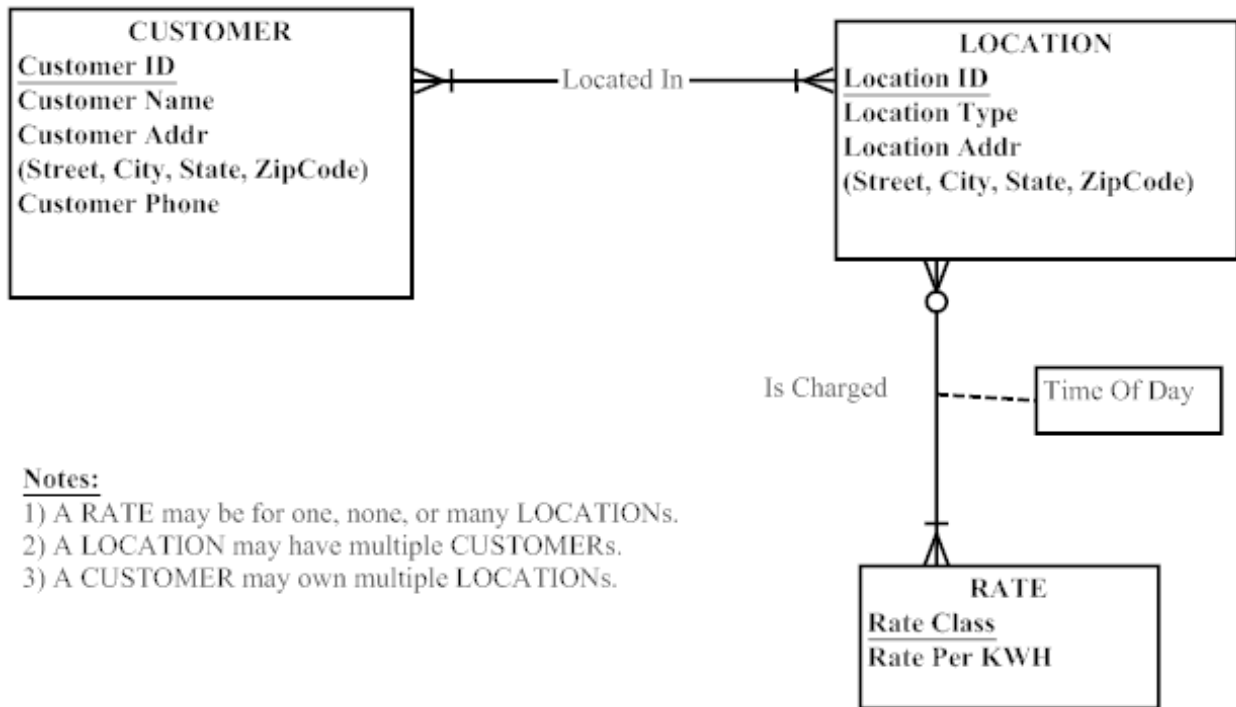
No checks are written before the first royalty is paid, thus the minimum cardinality is 0 for the Royalty Check associative entity.

16. PVFC ERD alternative representation



Note: A COMPONENT may be Used To Make 0:M PRODUCTS, as a COMPONENT may be a raw material that is not used immediately in making a PRODUCT.

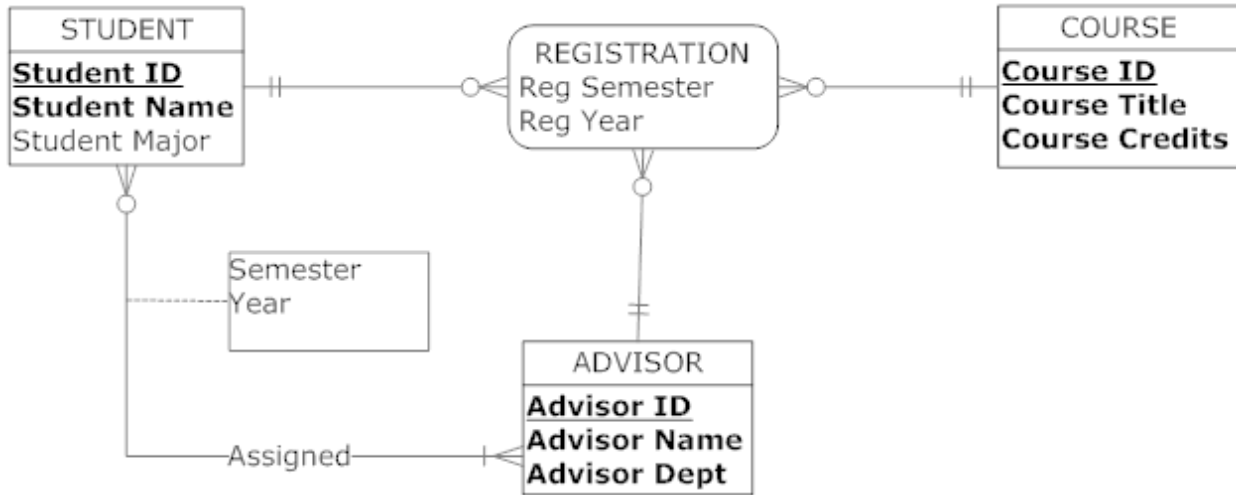
17. Emerging Electric ERD



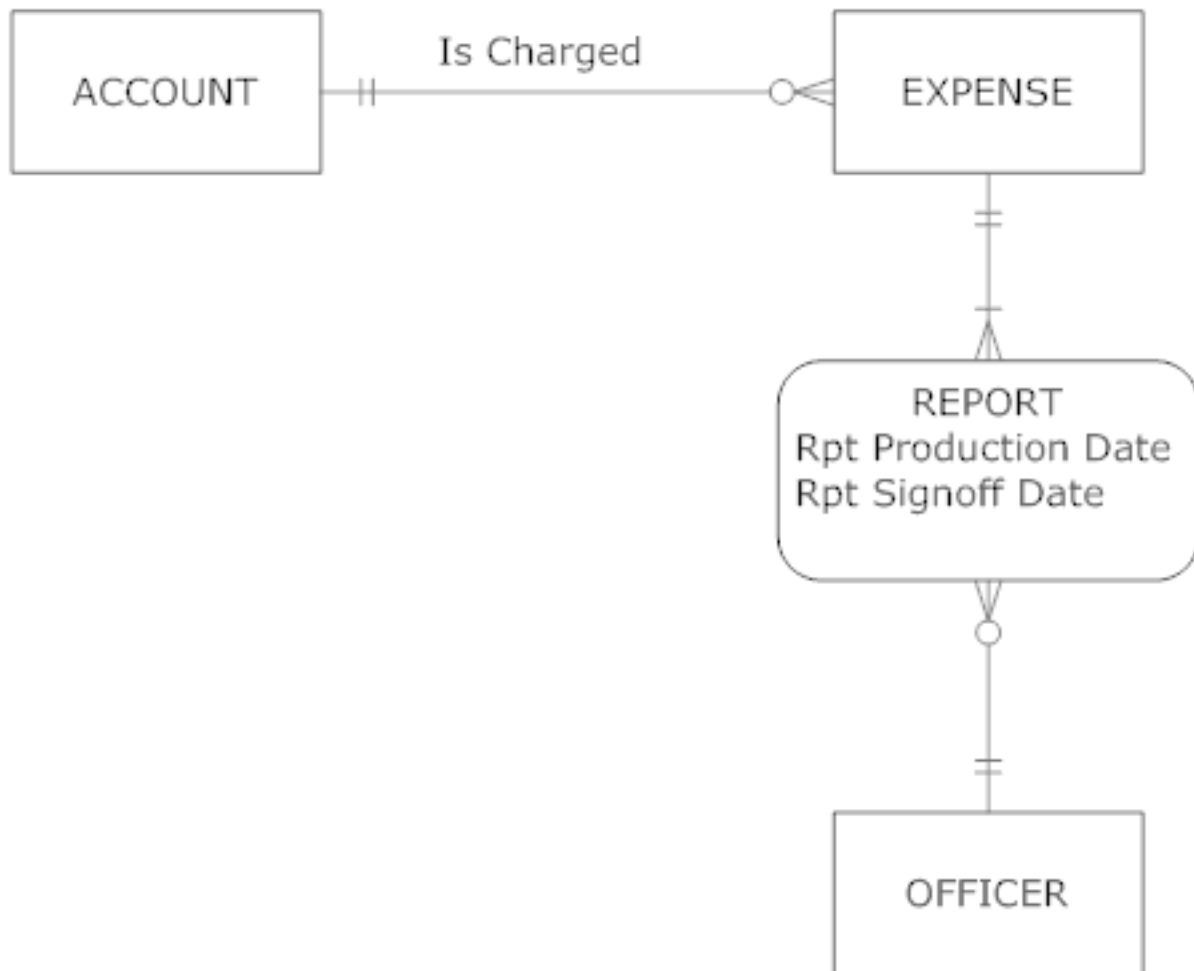
Notes:

- 1) A RATE may be for one, none, or many LOCATIONS.
- 2) A LOCATION may have multiple CUSTOMERS.
- 3) A CUSTOMER may own multiple LOCATIONS.

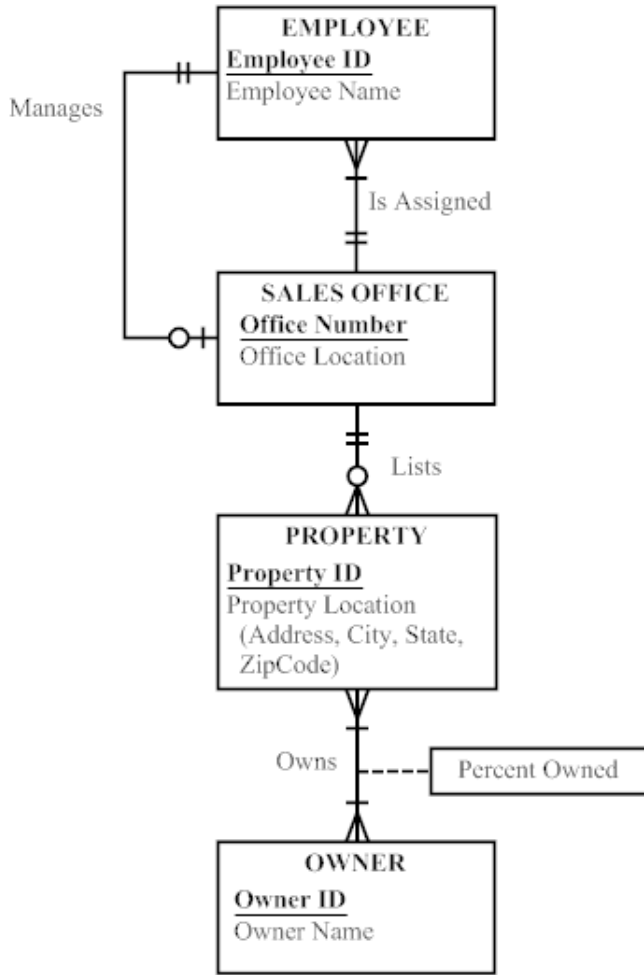
18. STUDENT and ADVISORs ERD



19. Figure 2-4a Revised for Sarbanes-Oxley compliance purposes



20.



Note: An additional business rule for this scenario is that an EMPLOYEE may Manage only the SALES OFFICE to which s/he Is Assigned.

20. (continued)

Entities:

Employee: An employee of the firm. An employee works for one sales office and may manage one sales office. It is not explicitly indicated that the employee can only manage the office that he/she works for. This would require a business rule.

Sales Office: The office where real estate is sold.

Property: Buildings for sale, such as houses, condos and apartment buildings.

Owner: The individual who owns one or more properties.

Attributes on Employee:

Employee ID: A unique identifier for an employee. This attribute must be unique.

Employee Name: The name of the employee.

Attributes on Sales Office:

Office Number: A unique identifier for the office.

Office Location: The physical location of the sales office. This data may be made up of the city and state.

Attributes on Property:

Property ID: The unique identifier for the property.

Property Location: A composite attribute that consists of the street address, city, state, and Zip Code.

Attributes on Owner:

Owner ID: The unique identifier for the owner.

Owner Name: The name of the owner.

Relationship:

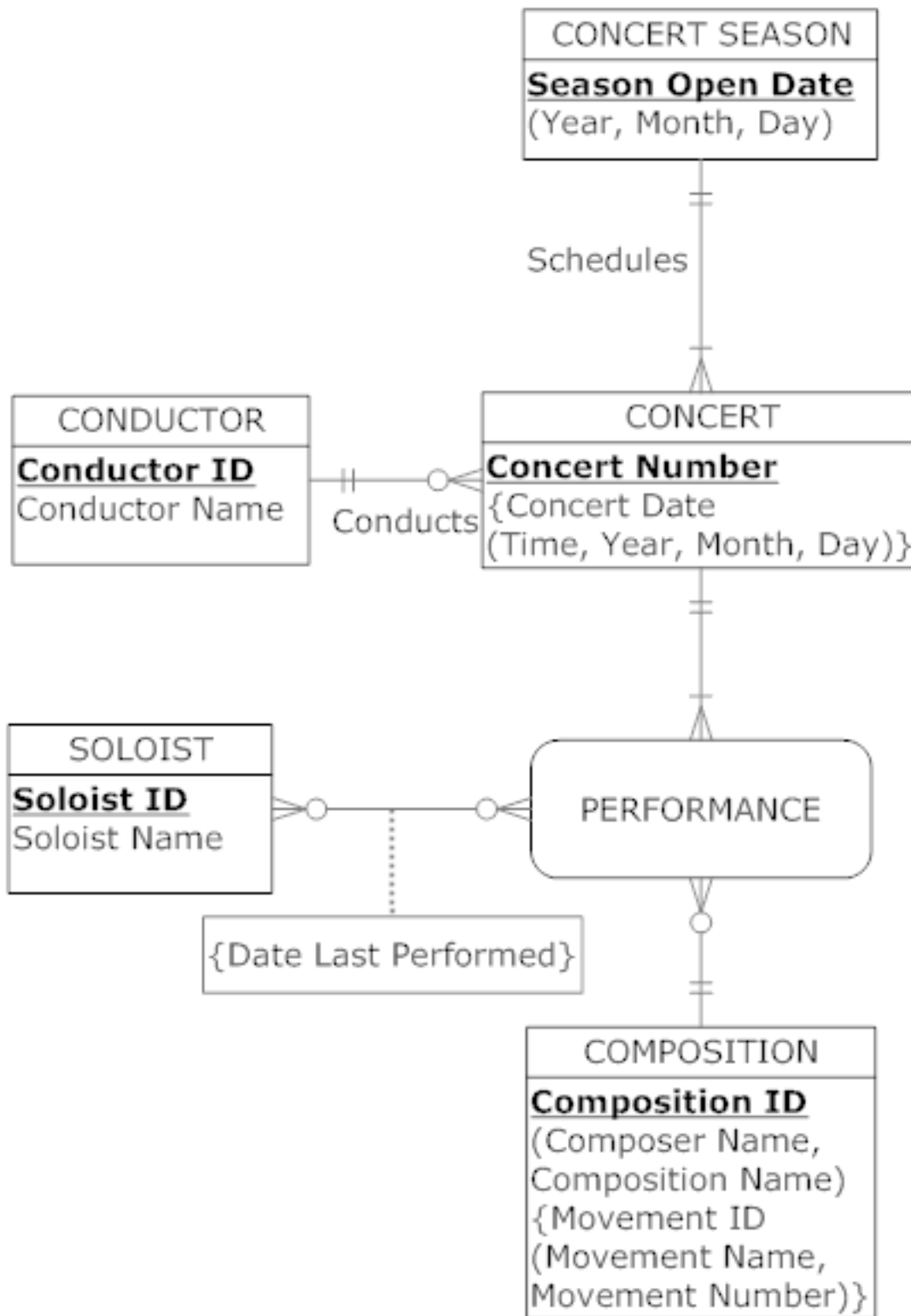
Is Assigned: An employee is assigned to one sales office. A sales office may have many employees assigned but must have at least one employee.

Manages: An employee may manage one sales office or no sales office. Each sales office is managed by one employee. A business rule is needed here in order to indicate that an employee can only manage the sales office in which he or she works.

Lists: Each property is listed by only one sales office. Each sales office can list one, none, or many properties.

Owns: Each property has one or more owners. Each owner can own one or more properties. Percent Owned is an attribute on Owns; it tracks the percent of property that a particular owner owns.

21. Preliminary ERD for Symphony Orchestra



(21. Preliminary ERD for Symphony Orchestra – continued)

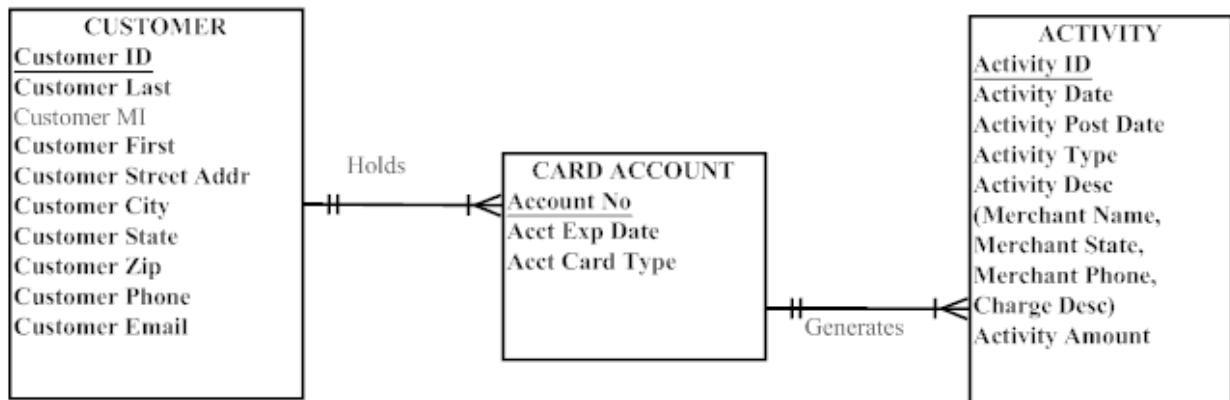
Business Rule: A concert includes the performance of one or more compositions; a composition may be performed at one or more concerts or may not be performed. This business rule is modeled in the ERD above through the use of the COMPOSITION and CONCERT entities, together with the PERFORMANCE Associative Entity.

Note: The use of the Associative Entity PERFORMANCE also permits the independent binary relationship between SOLOIST and PERFORMANCE, which permits the model to support the tracking of derived data, Date Last Performed. Although the diagram *appears* to have a ternary relationship among COMPOSITION, CONCERT, SOLOIST and PERFORMANCE, such a ternary relationship would not support the requirements of the problem. Rather, the needs of the problem state that there is an overall M:N binary relationship between SOLOIST and PERFORMANCE, which permits the tracking of multiple soloists performing any given composition as well as a given soloist performing multiple compositions.

22. **Note to instructor:** Student answers to this problem and exercise will vary based on their life experiences (e.g., do the students actually receive and review monthly/annual credit card statements), the drawing tool used, and the documents chosen. Three alternative solutions are presented and are ordered from the least complex to the most complex scenario. The purpose of this problem and exercise is to begin sensitizing students to the occurrence of synonyms and homonyms when ERDs are created. The actual topic does not show up until Chapter 4, but this problem and exercise can be a good lead-in for this discussion.

Alternative One: 22a

Problem & Exercise Alternative One, Part a
American Express
Monthly Statement of Account ERD - initial draft

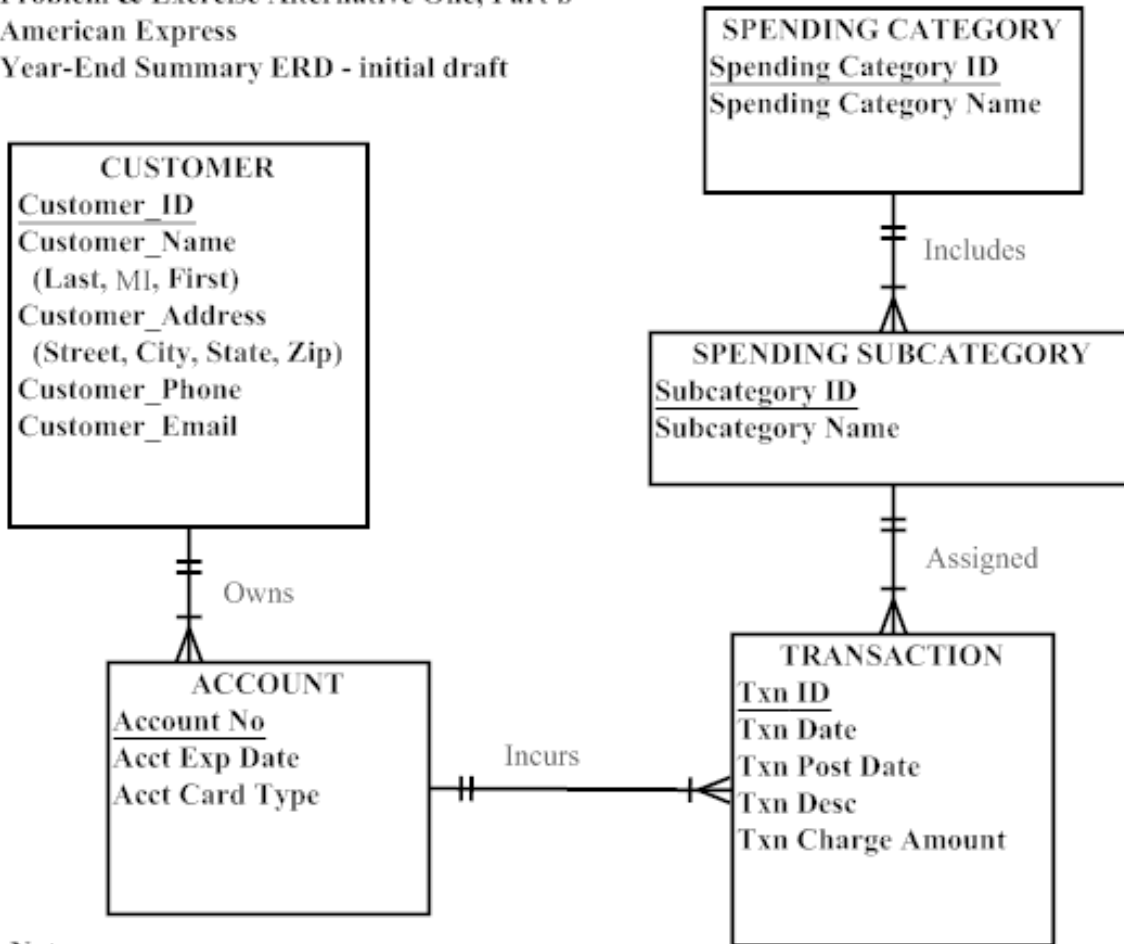


Notes:

- 1) Acet Card Type refers to Standard, Gold, Platinum, Corporate.
- 2) Activity Type refers to Purchase or Payment.
- 3) Activity Desc is modeled as a composite attribute so that we don't forget to show the details of the Merchant contact information in an Activity instance in the database.

Alternative One: 22b

Problem & Exercise Alternative One, Part b
 American Express
 Year-End Summary ERD - initial draft

**Notes:**

- 1) Acct Card Type refers to Standard, Gold, Platinum, Corporate.
- 2) SPENDING CATEGORY provides major grouping of ACCOUNT transactions so the CUSTOMER can know spending patterns by groups such as TRAVEL, AUTO, etc. Each SPENDING CATEGORY includes at least one, and usually more than one, SUBCATEGORY. SUBCATEGORIES are unique to each SPENDING CATEGORY.
- 3) TxnDesc includes the 40 character text description of each Merchant's charge to the ACCOUNT.

Alternative One: 22c

Do you find the same entities, attributes, and relationships in the two ERDs you developed for parts a and b? What differences do you find in modeling the same data entities, attributes, and relationships between the two ERDs? Can you combine the two ERDs into one ERD for which the original two are subsets? Do you encounter any issues in trying to combine the ERDs? Suggest some issues that might arise if two different data modelers had independently developed the two data models.

Yes, the same entity of CUSTOMER is present in both sets of ERDs; this entity also

appears to share the same attributes in each ERD version. CARD ACCOUNT in part (a) appears to be the same entity as ACCOUNT in part (b), as the attributes have the same names. The relationship between CUSTOMER and CARD ACCOUNT in the part (a) ERD is Owns, while in the part (b) ERD it is Holds. This would appear to be the same kind of relationship between entity instances in both ERDs. Also, the TRANSACTION entity in part (b) appears to be the same as ACTIVITY in part (a).

There appear to be differences in the level of detail that is modeled in the ACTIVITY entity with respect to the description of the activity charge when it is compared to the TRANSACTION entity's Txn Desc attribute. Additionally, the part (b) ERD shows additional entities of SPENDING SUB CATEGORY and SPENDING CATEGORY that are related to TRANSACTION; these additional entities are not in evidence in the part (a) ERD.

It would appear that these two ERDs can be combined into one ERD with minimal confusion. However, further clarification from the end user is necessary to determine the meaning (semantics) of the Activity Type attribute in the part (a) ERD and the Txn Desc attribute in the part (b) ERD. Further, some discussion is necessary to determine whether the use of "Activity" or "Transaction" terminology is preferred with the end users so proper decisions can be made about attribute naming conventions.

If two data modelers had independently modeled these user views, it is possible that even greater variance might be evidenced between the entity, attribute, and relationship names. It is also possible that the data modeler working on the Monthly Statement user view might not have been as specific in noting the composition of the Activity Desc attribute; thus, it would not be apparent that contact information related to the Merchant is part of this data model.

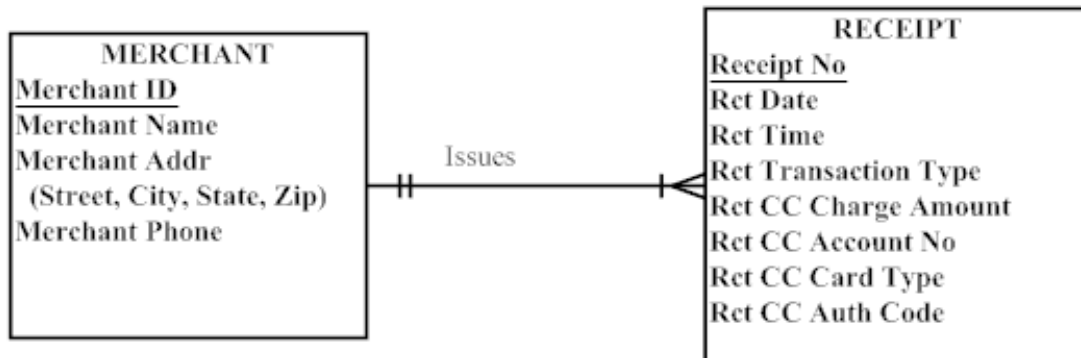
Alternative One: 22d

How might you use data naming and definition standards to overcome the issues you identified in part c?

Naming and definition standards could be used to develop common Classes [e.g., Identifier (ID), Number (No), Date (Date), Address (Addr), Transaction (Txn), Description (Desc)] and Qualifiers [Post, Transaction, Activity].

Alternative Two: 22a

Problem & Exercise Alternative Two Part a
Credit Card Receipt ERD - first draft

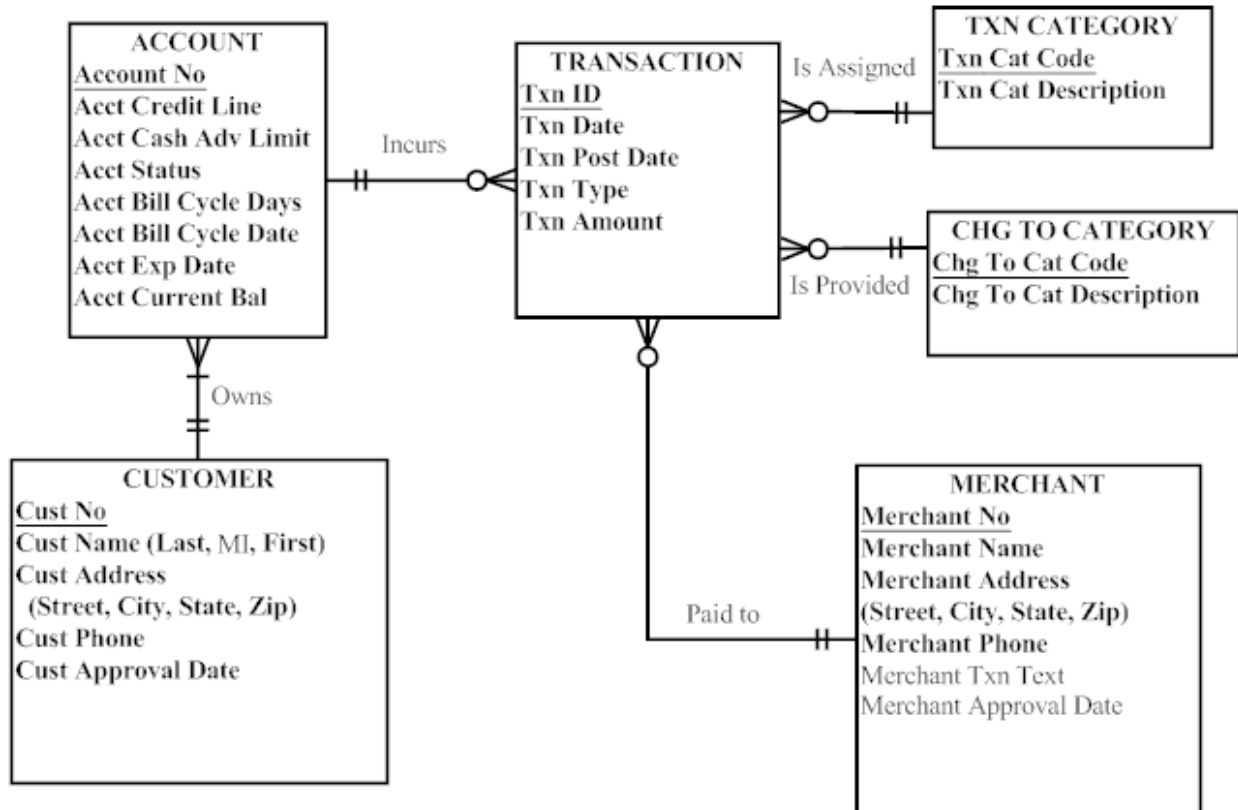
**Notes:**

- 1) Ret Transaction Type refers to Sale or Refund; a RECEIPT has only 1 Ret Transaction Type at a time.
- 2) This ERD refers to a Credit Card Receipt; revisions would be necessary to depict a cash transaction.
- 3) Ret CC Card Type refers to Visa, MasterCard, American Express, Discover, etc.

Alternative Two: 22b

Problem & Exercise Alternative Two Part b

Monthly Statement of Visa Credit Card Account ERD - first draft

**Notes:**

- 1) Txn Type refers to Purchase, Cash Advance, Payment, or Adjustment.
- 2) CHG TO CATEGORY refers to Finance Charge Categories (e.g., Standard Purchase or Standard Cash Adv).
- 3) TXN CATEGORY refers to Spending Categories (e.g., Merchandise, Services, Auto Rental, etc.).
- 4) Acct Status refers to Active, Inactive, Closed, Overdue.
- 5) Merchant Txn Text refers to the text shown as part of the Txn Description shown on the Monthly Summary; if this value is NULL, then the business rule is to show Merchant Name, Merchant City, Merchant State as part of the Transaction Description information on the Monthly Summary report.

Alternative Two: 22c

Do you find the same entities, attributes, and relationships in the two ERDs you developed for parts a and b? What differences do you find in modeling the same data entities, attributes, and relationships between the two ERDs? Can you combine the two ERDs into one ERD for which the original two are subsets? Do you encounter any issues in trying to combine the ERDs? Suggest some issues that might arise if two different data modelers had independently developed the two data models.

Yes, when comparing the ERDs in part (a) and part (b), MERCHANT appears to be the same entity in both data models. Additionally, since it is known that the physical Receipt document that was used to generate the part (a) ERD is actually one of the transactions that is shown on the Visa Monthly Statement, there are common attributes between RECEIPT (part a) and TRANSACTION (part b), although different names have been used in the data models. Additionally, the Rct CC Account No from RECEIPT (in part a) is equivalent to the Account No from ACCOUNT (in part b).

The two ERDs could be combined into one ERD, however, there would need to be decisions made about how the data that crosses organizational boundaries are maintained in different organization's databases. For instance, the Receipt No on the Merchant's receipts for purchases at the Merchant are relevant to the Merchant's internal accounting records and may not be of use to the Credit Card Company's reporting to its account cardholders. Likewise, the Credit Card Company needs to track the date that a particular account transaction is posted to the account, and this level of data is most likely not of interest to the Merchant.

Aside from this larger issue, there are some minor naming issues that will need to be overcome if the data models are combined. Even though the MERCHANT entities are the same, standardization on names for the attributes needs to be resolved (e.g., Merchant ID vs. Merchant No). Additionally, the business usage of Transactions versus Receipt language needs to be sorted out.

If two different data modelers had developed these ERDs, there would likely be even more variance in how the names of Entities, Attributes, and Relationships would have been established. It's also possible that the different data modelers would not recognize that the RECEIPT and TRANSACTION entities are similar, if they did not share the sample data from each separate user view with each other.

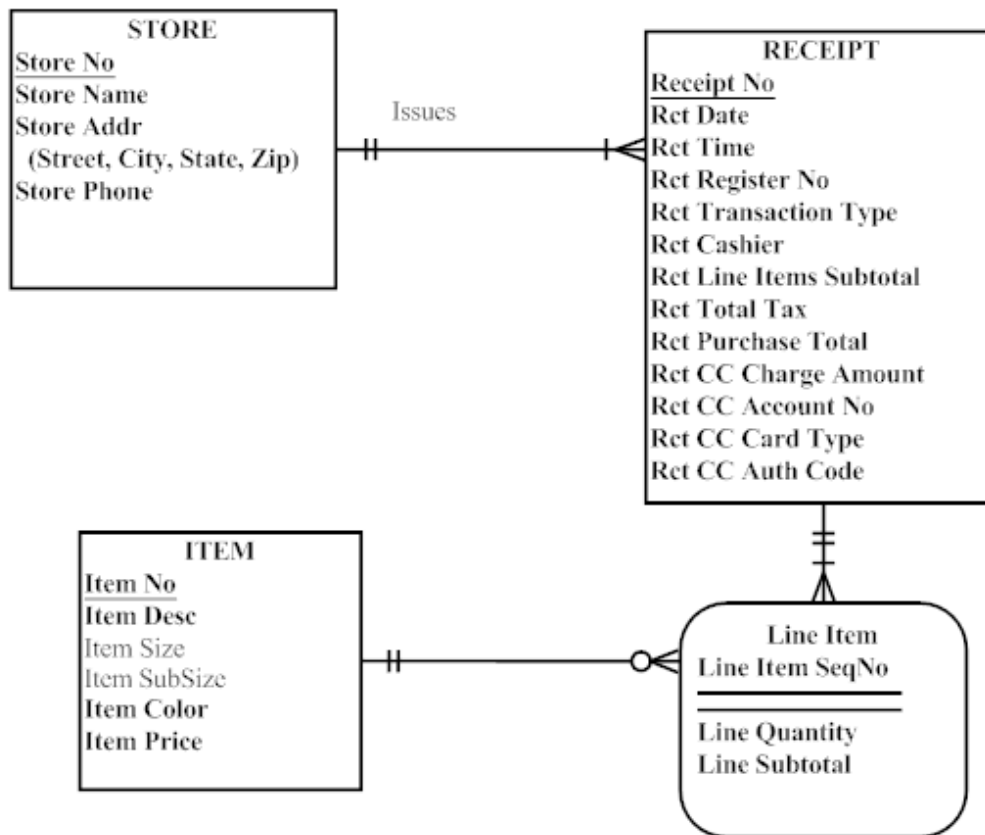
Alternative Two: 22d

How might you use data naming and definition standards to overcome the issues you identified in part c?

Naming and definition standards could be used to develop common Classes [e.g., Number (No), Credit Card (CC), Date (Date), Address (Addr), Transaction (Txn), Description (Desc)] and Qualifiers [Post, Transaction, Activity, Billing Cycle], as well as how attribute names will be selected (i.e., Merchant ID vs. Merchant No).

Alternative Three: 22a

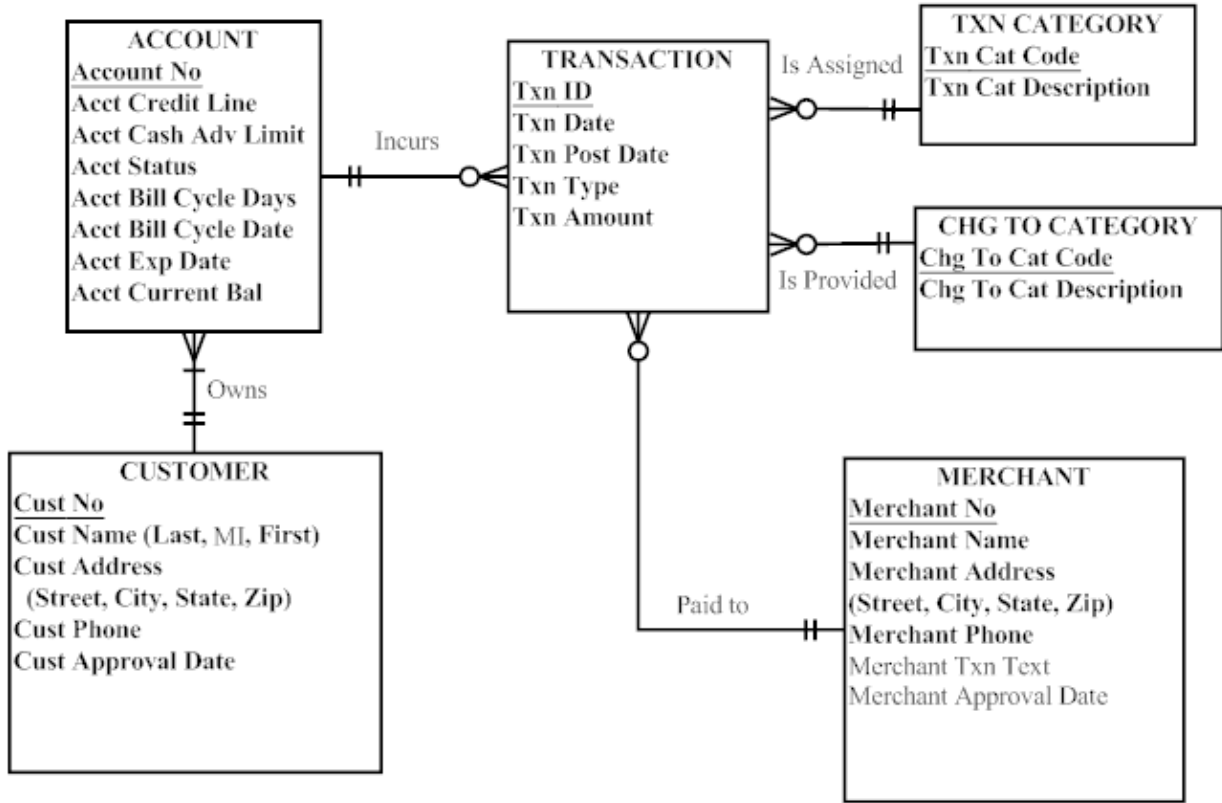
Problem & Exercise - Alternative Three, Part (a)
Cash Register Credit Card Receipt ERD - first draft

**Notes:**

- 1) Ret Transaction Type refers to Sale or Refund; a RECEIPT has only 1 Ret Transaction Type at a time.
- 2) This ERD refers to a Credit Card Receipt; revisions would be necessary to depict a cash transaction.
- 3) Ret Cashier refers to the first name of the Ret Cashier and is assumed to be unique. An alternative design would be to use a Ret Cashier Number and provide a relationship to a CASHIER entity.
- 4) Ret CC Card Type refers to Visa or MasterCard.
- 5) Line Item SeqNo is a partial identifier of the Line Item associative entity; Receipt No and Item No will be needed to provide a full identifier for each Line Item instance.

Alternative Three: 22b

Problem & Exercise Alternative Three, Part b
 Monthly Statement of Visa Credit Card Account - first draft



Notes:

- 1) Txn Type refers to Purchase, Cash Advance, Payment, or Adjustment.
- 2) CHG TO CATEGORY refers to Finance Charge Categories (e.g., Standard Purchase or Standard Cash Adv).
- 3) TXN CATEGORY refers to Spending Categories (e.g., Merchandise, Services, Auto Rental, etc.).
- 4) Acct Status refers to Active, Inactive, Closed, Overdue.
- 5) Merchant Txn Text refers to the text shown as part of the Txn Description shown on the Monthly Summary; if this value is NULL, then the business rule is to show Merchant Name, Merchant City, Merchant State as part of the Transaction Description information on the Monthly Summary report.

Alternative Three: 22c

Do you find the same entities, attributes, and relationships in the two ERDs you developed for parts a and b? What differences do you find in modeling the same data entities, attributes, and relationships between the two ERDs? Can you combine the two ERDs into one ERD for which the original two are subsets? Do you encounter any issues in trying to combine the ERDs? Suggest some issues that might arise if two different data modelers had independently developed the two data models.

The Cash Register Credit Card Receipt ERD was developed from a user view of the Customer purchasing items from a Store, and reflects the entities and attributes present on that user view and sample data available in the actual user document. This data model

will provide the Customer with a receipt including details of what was purchased, the quantity of the item purchased, the price for each item purchased, as well as tax and the total charge to the credit card account. From the Store's perspective, this data model provides tracking of the Cashier and Register related to the overall sales transaction, as well as credit card processing information (e.g., type of card, charge amount, card account number, and authorization code), and information related to management of the Store's inventory (e.g., item information and quantities).

The Monthly Statement of a Visa Credit Card Account ERD was developed from a user view sent to the Account Owner of the Visa Credit Card and reflects the entities and attributes present in the data on the sample document. This data model serves both the Account Owner by providing details of all transactions posted against the Credit Card Account, and also the Visa Credit Card Company by providing transaction charges for both customers and merchants served.

When these two ERDs are reviewed, it does not appear that any entities, attributes, or relationships are named the same which seems to indicate that none of these data model elements are the same between the two ERDs. However, since both the receipt and the monthly statement are for my own purchases with a credit card, it is known that some of the data underlying both of these data models are the same, although different names have been used. For instance, the monthly statement shows a listing of individual credit card receipts. Although in this case, the individual receipt shows more detail than is shown on the monthly statement, it can be seen that the underlying data is the same. The STORE entity in part (a) is actually equivalent to the MERCHANT entity in part (b). The Rct CC Charge Amount and Rct Date attributes (from RECEIPT) in part (a) are the same as the Txn Amount and Txn Date attributes (from TRANSACTION) in part (b). Finally, the Rct CC Account No (from RECEIPT) in part (a) is equivalent to the Account No (from ACCOUNT) in part (b).

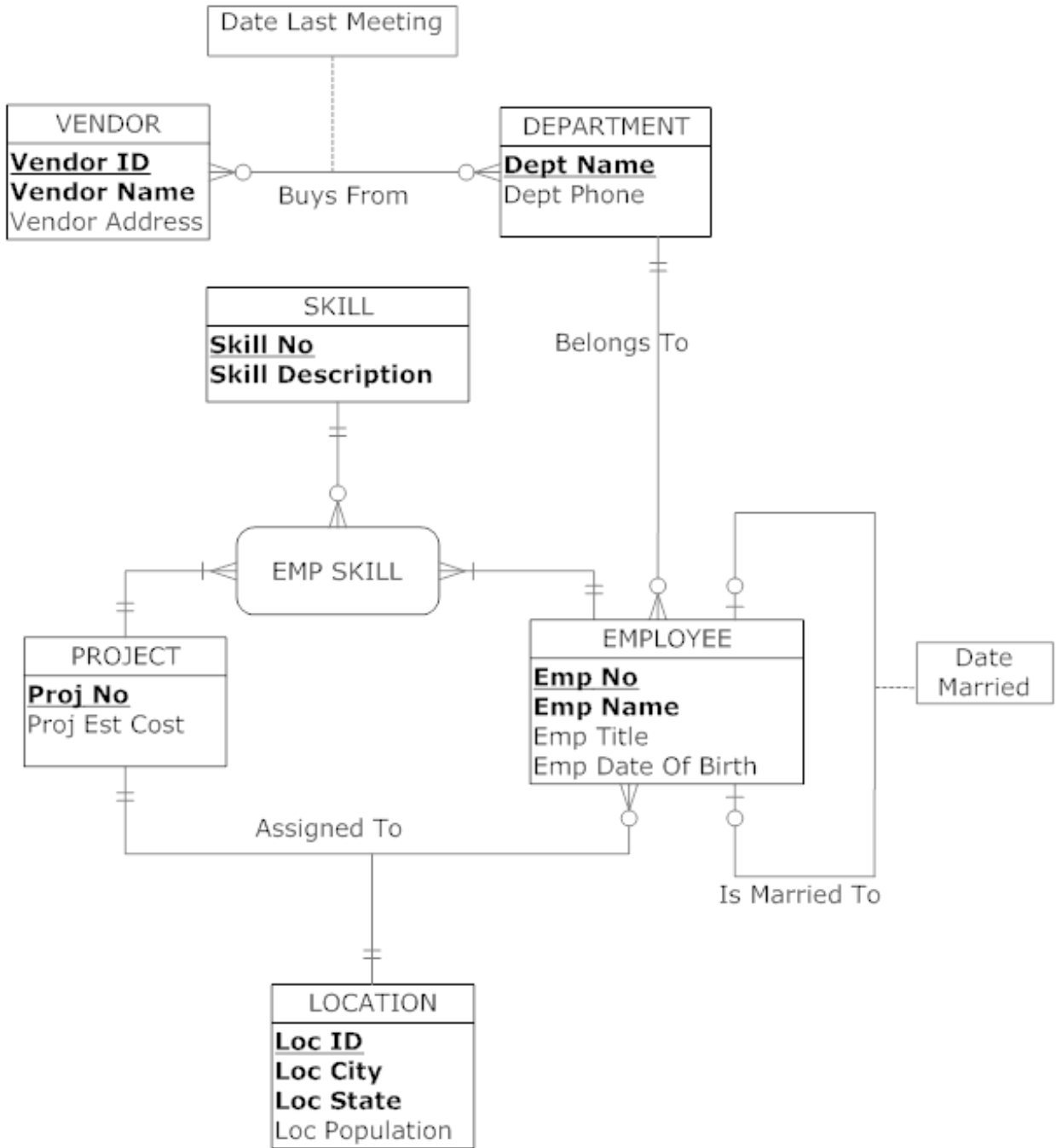
Although it is technically feasible to combine these two ERDs into one ERD, it would not be advisable due to the difference in the level of detail captured (e.g., Store Inventory Management data in part a) in the two models and due to the different purposes (and ultimate end users) of the data. Naming standards would also have to be developed to accomplish the merging of the data models. If two data modelers had developed these ERDs, it is unlikely that the common underlying data would have been identified.

Alternative Three: 22d

How might you use data naming and definition standards to overcome the issues you identified in part c?

Naming and definition standards could be used to develop common Classes [e.g., Number (No), Credit Card (CC), Date (Date), Address (Addr), Transaction (Txn), Description (Desc)] and Qualifiers [Post, Transaction, Activity, Billing Cycle]. However, these standards would not address the level of detail and purpose issues identified earlier as issues in merging the ERDs.

23. Projects, Inc. ERD



Notes:

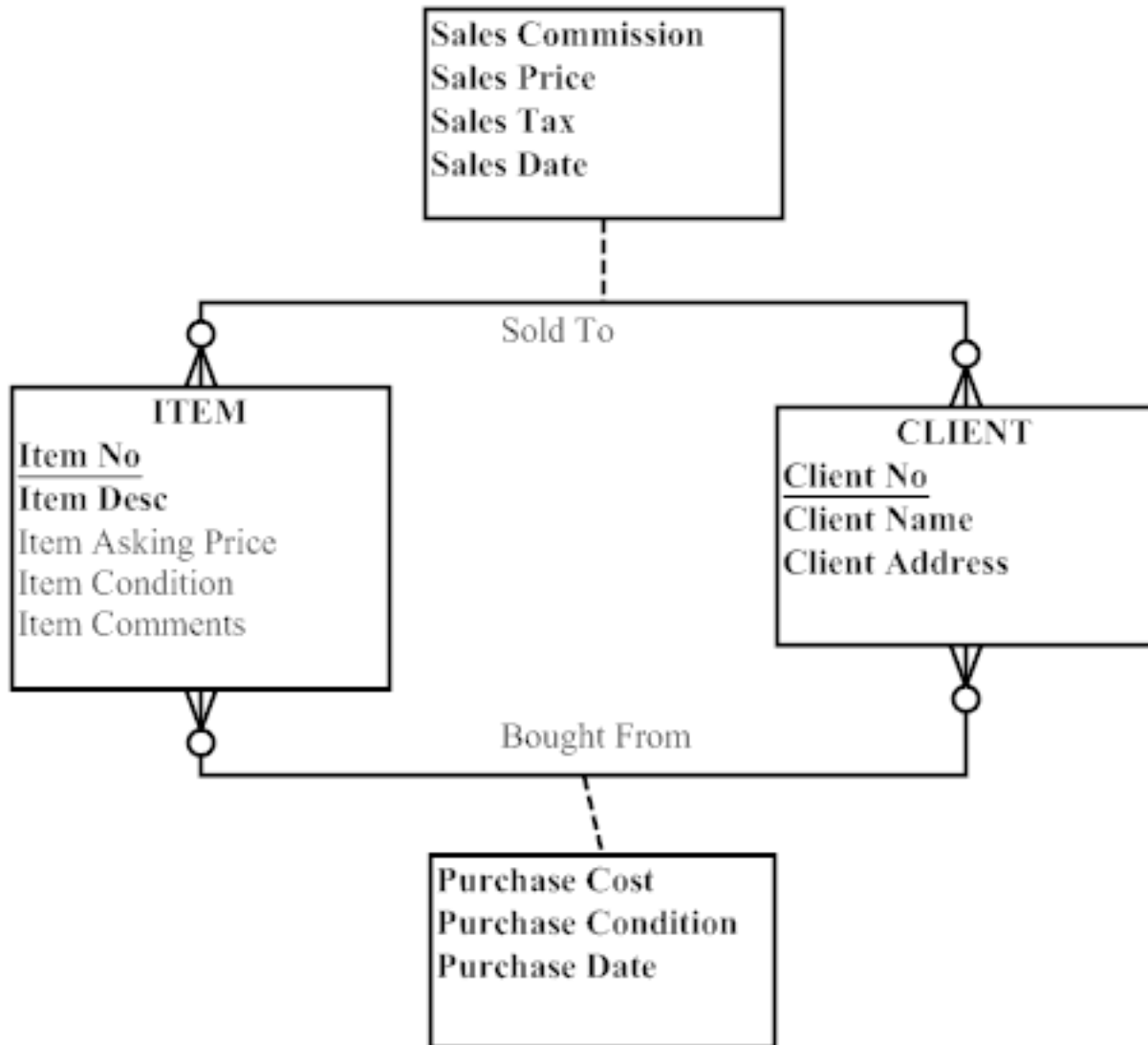
- We assume that a Vendor will be tracked in our database even if they have not participated in a Buys From relationship with a department, hence, the 0:M cardinality next to Department in the diagram. This permits the tracking of a Vendor in our database prior to the first transaction with us.
- We assume that we may set up a Department in our company that may not yet have employees assigned to it; thus, the 0:M cardinality next to Employee on the Belongs To

relationship between Employee and Department.

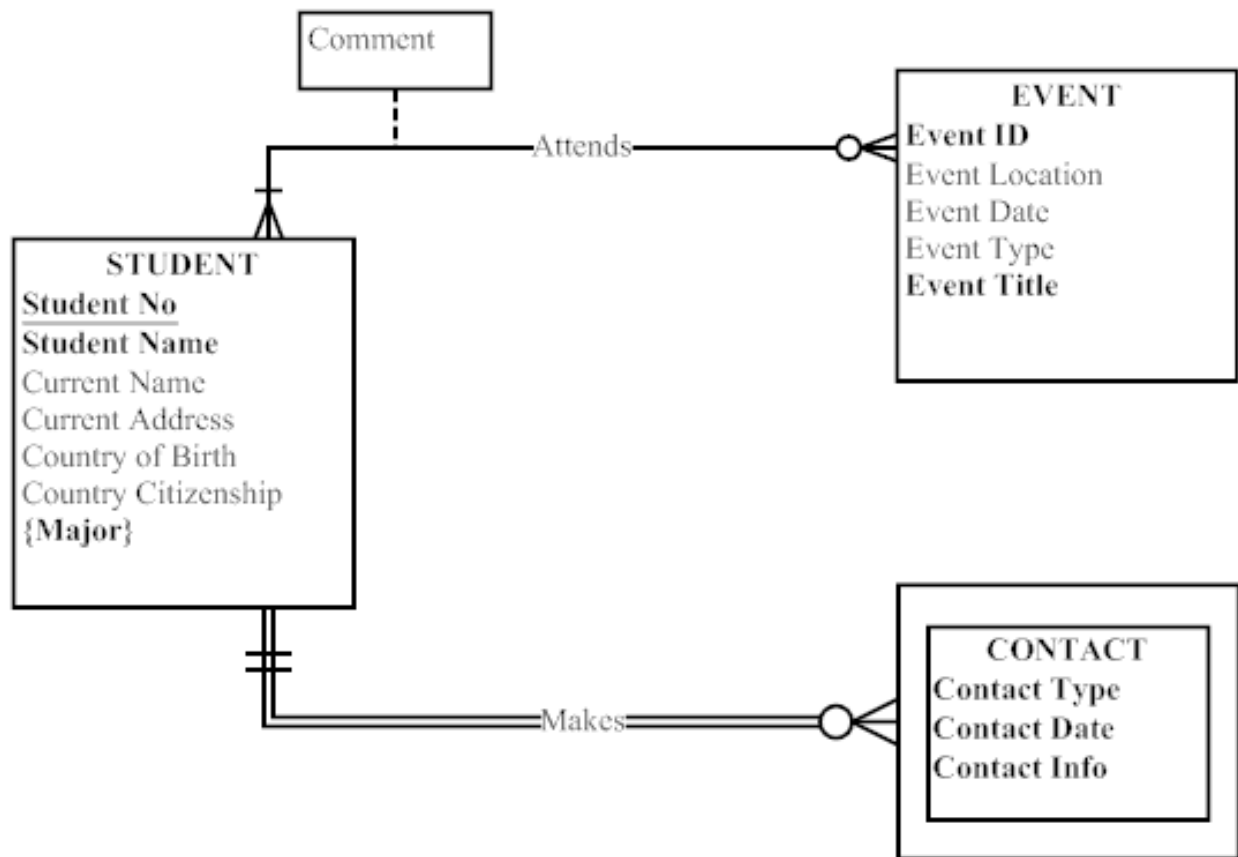
Classes: Number (No), Identifier (ID), Date

Qualifiers: Married, Of Birth, Last Meeting

24. Stillwater Antiques ERD

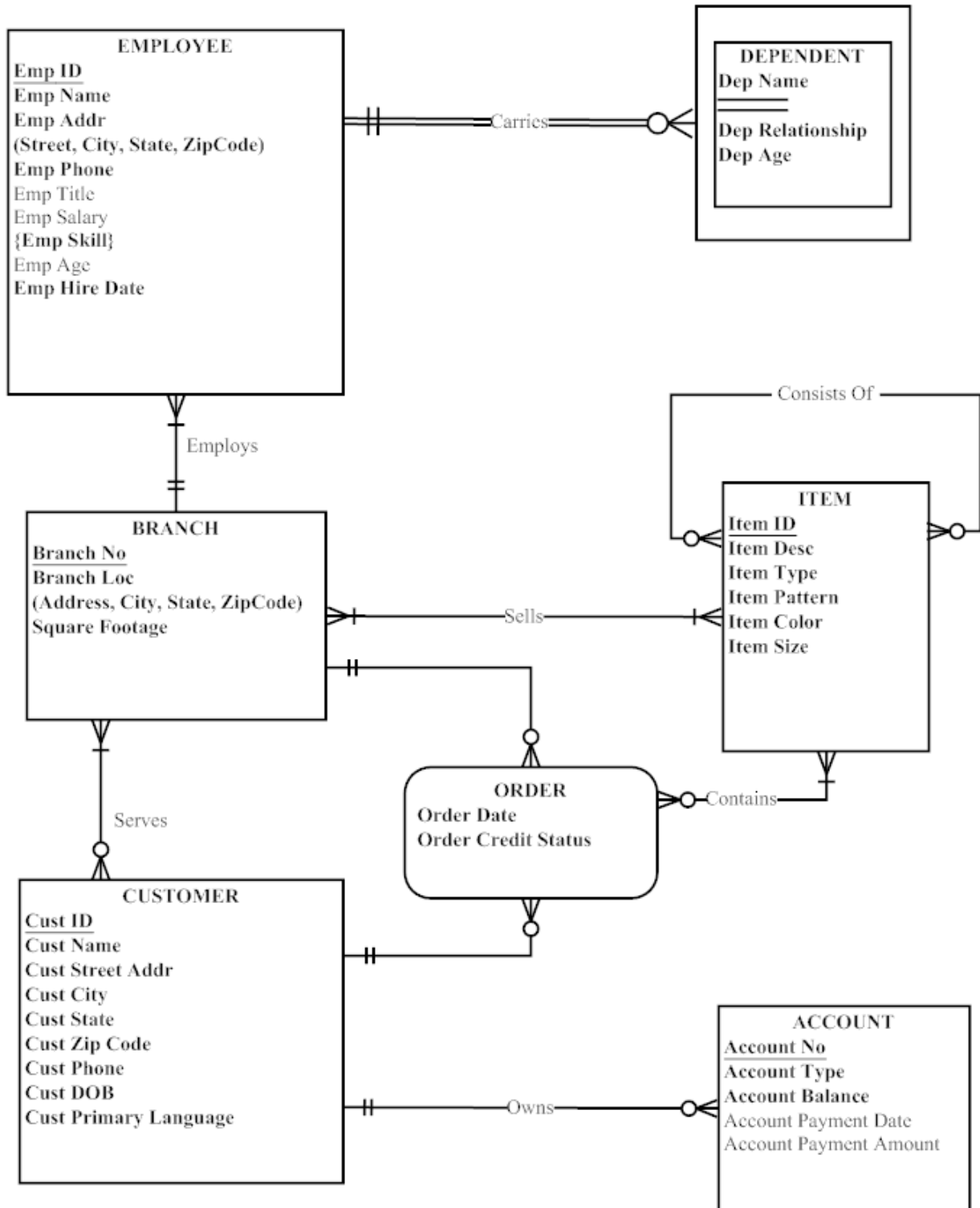


25. H.I. Topi School of Business ERD



Note: Contact Type refers to mail, email, telephone, fax, or personal discussion.

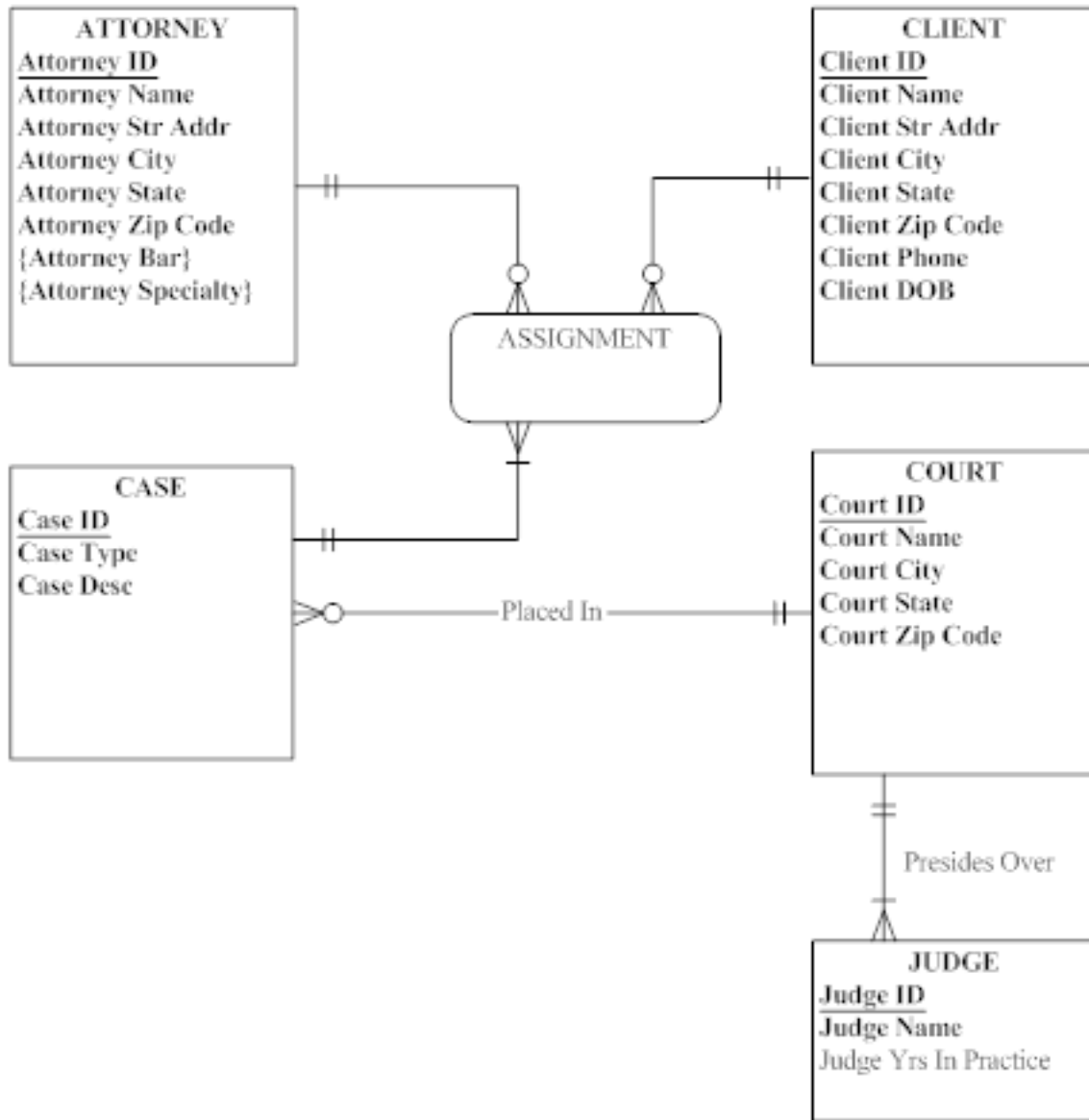
26. Wally's Wonderful World of Wallcoverings ERD:



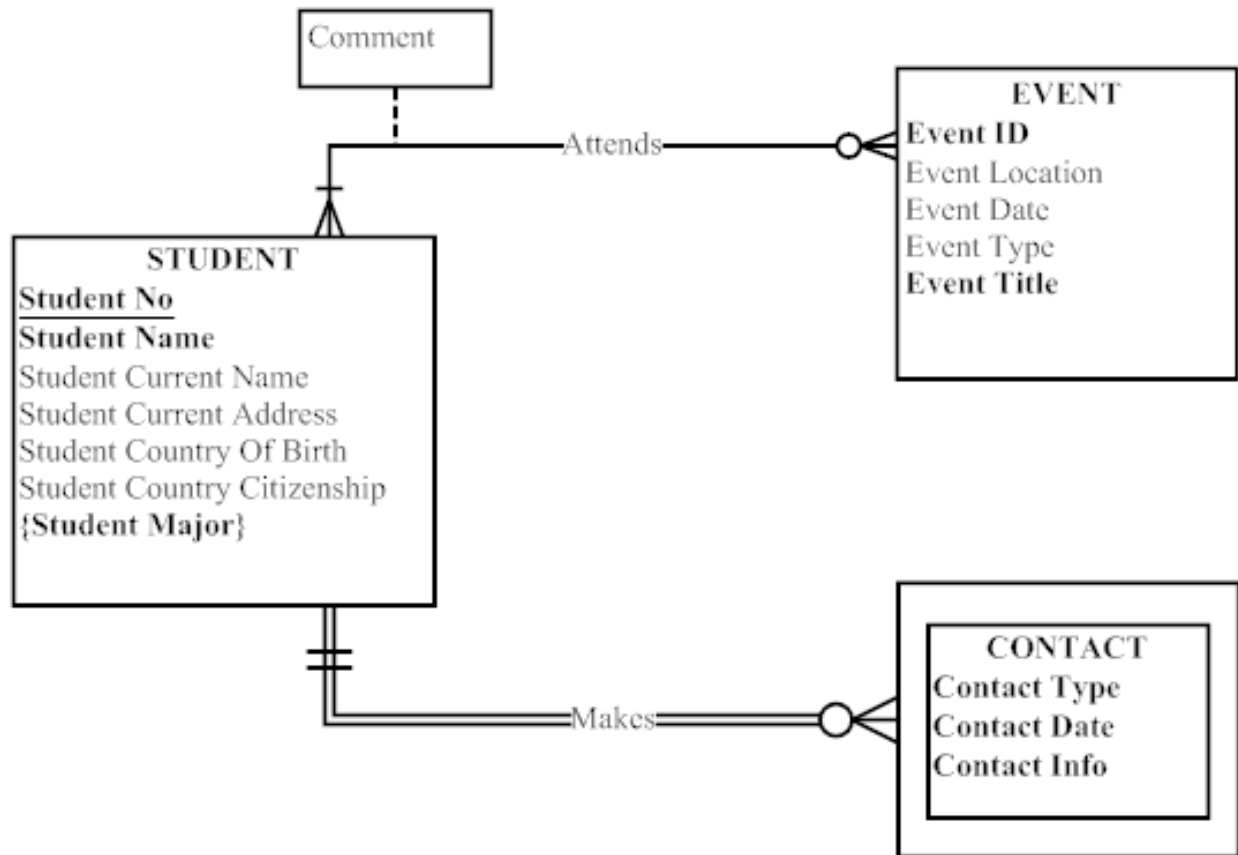
Note:

The question does not indicate that there is a quantity for the Contains or Consists Of relationships.

27. Peck and Paw ERD:



28.



Note: Contact Type refers to mail, email, telephone, fax, or personal discussion.

Changes made to prior #25 ERD

- added qualifiers to attribute names in the STUDENT entity

Entities:

Student: A person who attended and graduated from the H.I. Topi School of Business.

Event: School events held around the world.

Contact: The School's records of any contact made with a former student and graduate of the School.

Attributes on Student:

Student No: A unique identifier for a student when they attended the School. This attribute must be unique and is required.

Student Name: The name of the student when attending the School. This attribute is required.

Student Current Name: Current name of the former student.

Student Current Address: Current address of the former student.

Student Country of Birth: Country where the former student was born.

Student Country of Citizenship: Country where the former student holds citizenship.

Student Major: The name of the academic major completed by the former student. A student may have one to two majors. This attribute is required.

Attributes on Event:

Event ID: A unique identifier for the event. This attribute is required.

Event Location: The physical location of the event. This data may be made up of the street address, city, state, postal code, and country.

Event Date: The year, month, and day of the event.

Event Type: The type of event (e.g., reception, dinner, or seminar).

Event Title: The title of the event, as used in the press release and communications with the former students. This attribute is required.

Attributes on Contact:

Contact Type: The category of contact type made with the former student. Possible values include mail, email, telephone, and fax. This attribute is required.

Contact Date: The year, month, and day of the contact event with the former student. This attribute is required.

Contact Info: The updated information about the former student that was learned during the contact event. This attribute is required.

Relationship:

Attends: A student attends zero, one, or many events. An event has one or more students in attendance.

Makes: The school makes contact with a specific former student. For each contact with a specific student, the School tracks zero, one, or many instances of contact information.

Attributes on Relationship:

Comment: Information that school officials learn from a graduate at a specific event.

Suggestions for Field Exercises

1. The intent of this exercise is to have your students gain some exposure to standards in the business world. This is a good opportunity for your students to learn the benefits of enforcing naming standards, whether for E-R models or for programming code. If standards do not exist in the organization, have your students come up with some guidelines for naming standards. If standards do exist, your students should ask the database or systems analyst for an opportunity to review these standards to see if they are consistent and uniform.

2. You may choose to use the same organizations for this field exercise that were used in Chapter 1 Field Exercises, or instead choose different organizations. It is likely that some of your students may have contacts in suitable organizations. The main difference that students are likely to find in a manufacturing company (compared to a service company) is the complexity encountered in modeling a product structure (or bill of materials). This often results in a recursive unary relationship, which is described in this chapter.
3. This field exercise can be performed in conjunction with Exercise 2 above. Most organizations will probably have examples of each of these types of relationships. Be on the alert to discover ternary relationships that are mistakenly modeled as multiple binary relationships.
4. This field exercise can be combined with Exercise 3 above. It is quite likely the organization will be using E-R notations that are different from the text, but students should be able to accommodate different notations with some explanation.
5. We suggest you combine this with Exercise 4 (and perhaps Exercise 3) above. If time-dependent data is apparent in the models, you might ask, for example, how the organization tracks customer sales over time.
6. Students should build a table to compare features of all products.

Project Case

Case Questions

1. Mountain View Community Hospital (MVCH) would want to use ER modeling to understand its data requirements because this approach will provide a pictorial depiction of MVCH's business rules about data and how it is managed in the organization. The ER model provides a representation of these rules so they can be understood unambiguously by system developers and end users. The hospital might also want to model their requirements using the object-oriented model (see later chapter in text). Other possible diagrams might be data flow diagrams (DFD), state-transition diagrams, or use case diagrams.
2. No; Mountain View Community Hospital is an instance of the entity type HOSPITAL. Since there is only one instance, there is no need to model the HOSPITAL entity type.
3.
 - a. BED may be a weak entity because it appears to require a Care Center ID attribute (per case description). MVCH may have a business rule requiring a BED to be assigned to a CARE CENTER in order for the system to track the BED.
 - b. There are no multivalued attributes.
 - c. Between PATIENT and PHYSICIAN there are two relationships: *Refers* and *Admits*.

Between EMPLOYEE and CARE CENTER there are two relationships: *Has Assigned* and *Nurse In Charge*.

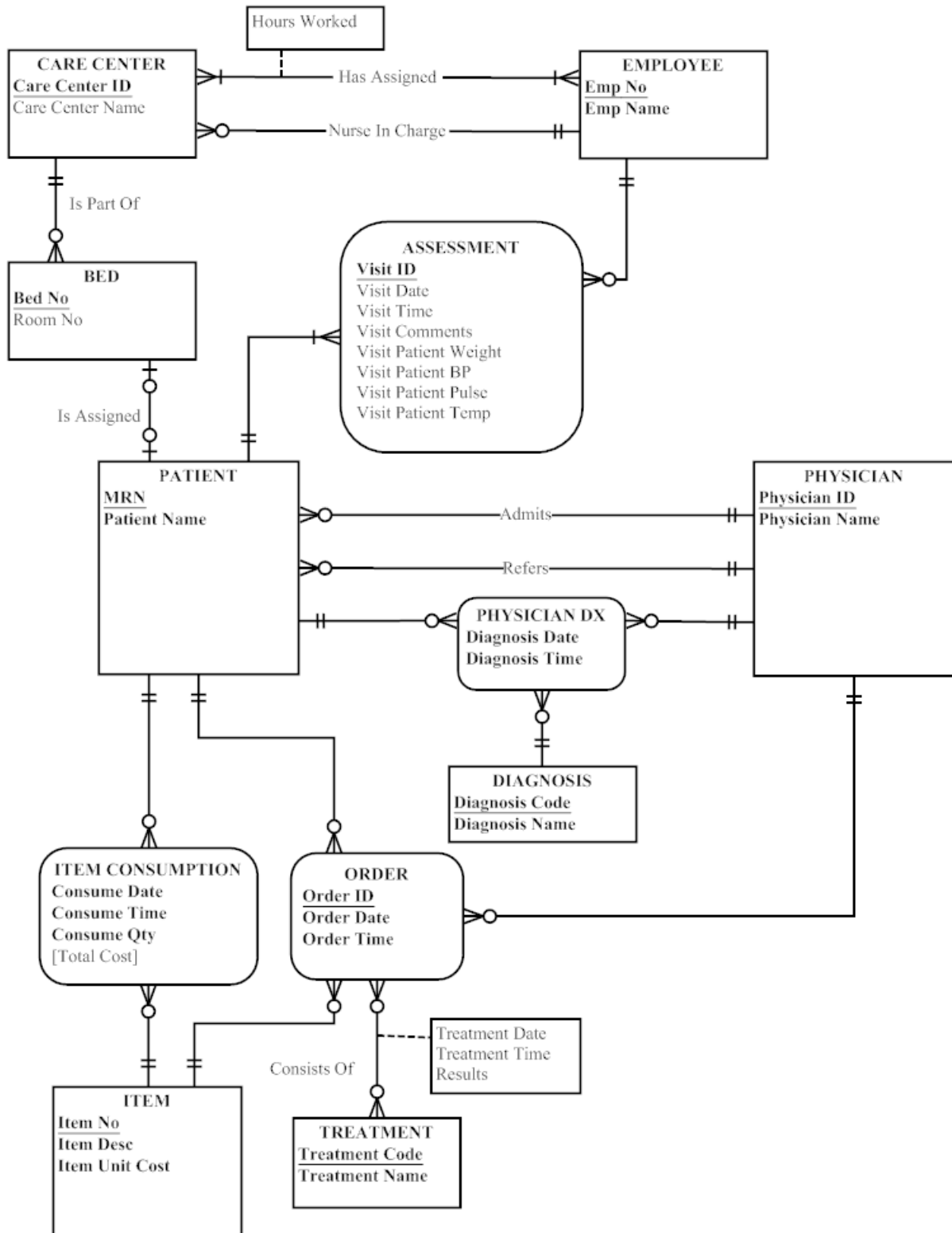
4. At this stage in our understanding of E-R diagrams, we simply diagram the relationship (called *Is Assigned*) between PATIENT and BED as an optional 0-1 relationship. In Chapter 3 we will learn how to model the subtypes of PATIENT (INPATIENT and OUTPATIENT) and then create a mandatory relationship between INPATIENT and BED.
5. The only reason to split ITEM into two separate entities would be to track the use of reusable items. In other words, once an item is purchased and can be reused, one might want to see how frequently an item is used. In this case, one might wish to record the item serial number (or assign a number) and then see specifically how that item was used. However, I still think that it would be of merit to track reusable items in the general sense. For example, you might want to know that you have 100 forceps in stock. If one gets damaged and is thrown away, the inventory is reduced. Once the inventory reaches a certain level, more forceps can be ordered.
6. Take a look at all user views by examining reports and screens from any existing systems. Then compare these to the data model and make a determination of whether this data model will support the system's generation of reports and screens.

Case Exercises

1. Some other questions we might like to ask are the following:
 - a. Should we model pharmaceutical items separately from ITEM since such items are prescribed by a physician for a patient?
 - b. Is there a need to maintain a historical record of a patient's relationship with the hospital? If so, how can this be modeled in the E-R diagram?
 - c. Need we model the various subtypes of EMPLOYEE (nurses, staff, physicians, etc.)?
 - d. Is there a need to model the relationship with other persons such as volunteers and donors?

You should ask your students to develop additional questions.

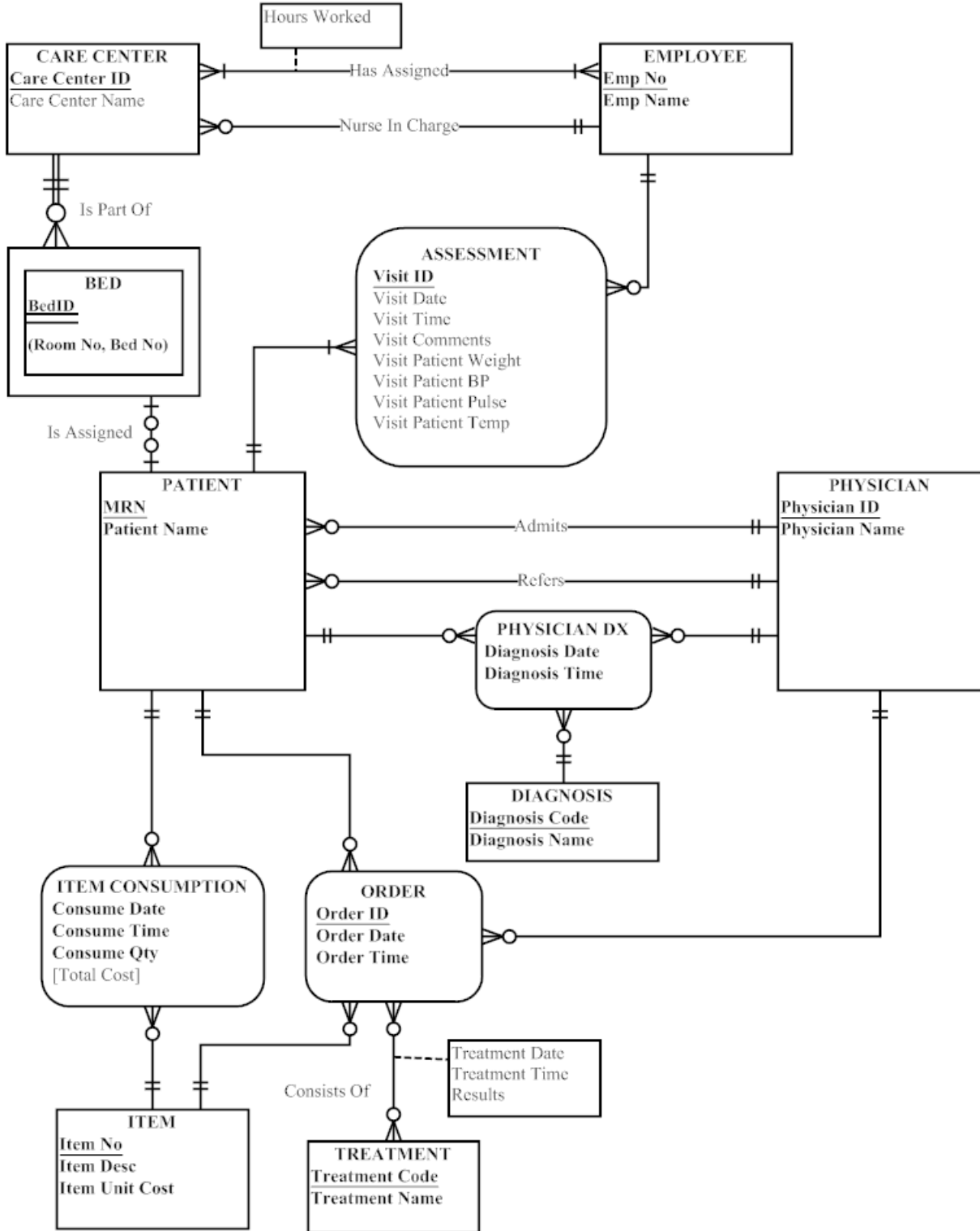
2.

**Notes:**

- 1) An EMPLOYEE may serve as a Nurse In Charge for 0, 1, or many CARECENTERS.
- 2) Visit ID is unique (surrogate) identifier for ASSESSMENT.
- 3) Comments attribute for ASSESSMENT is used to record reasons for visit & symptoms.

3. No. The entity type ITEM has a Unit Cost attribute, but has no provision to represent a unit cost per day, which would be required for items such as in-room TVs.

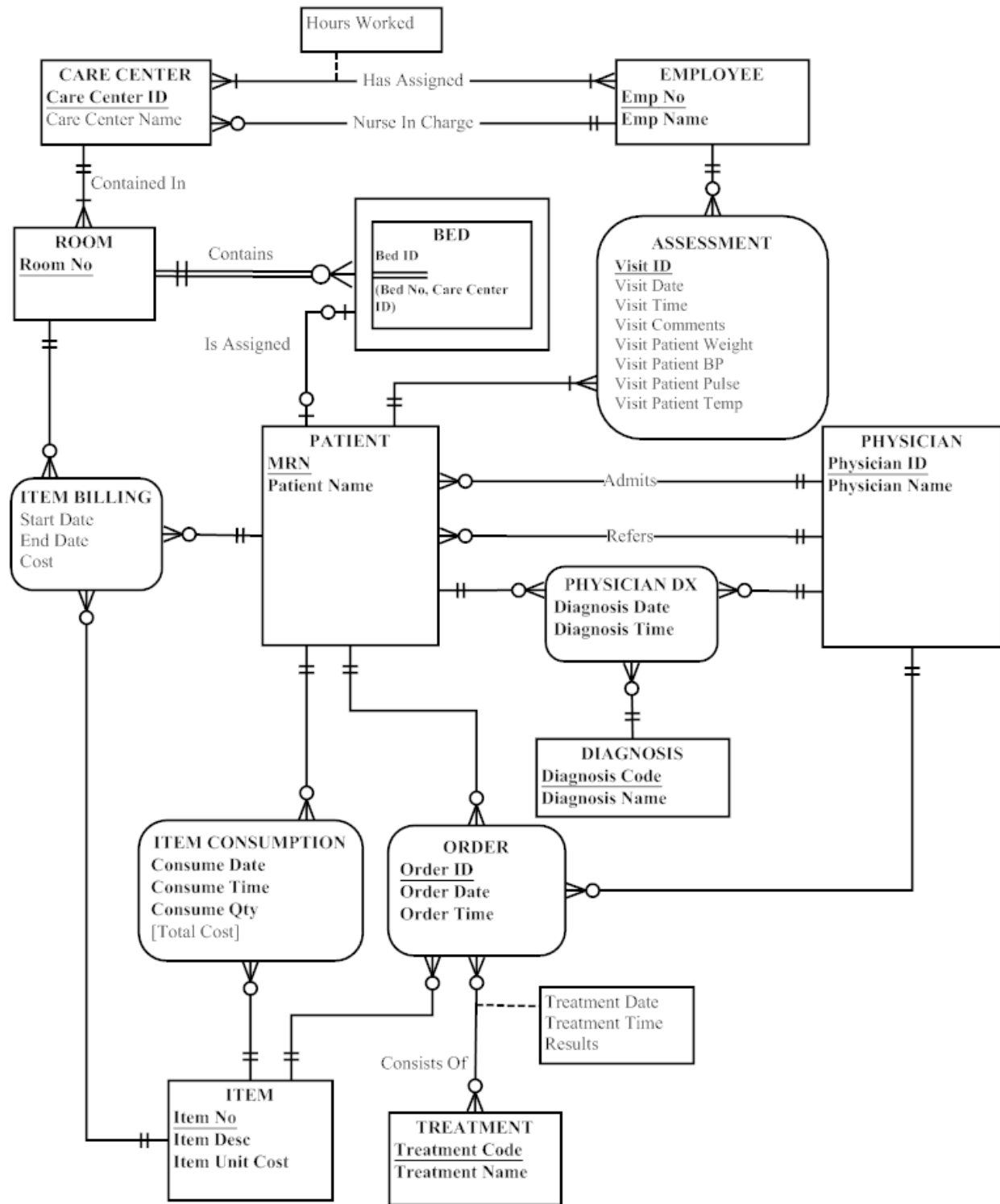
4.



Notes:

- 1) An EMPLOYEE may serve as a Nurse In Charge for 0, 1, or many CARECENTERS.
- 2) Visit ID is unique (surrogate) identifier for ASSESSMENT.
- 3) Comments attribute for ASSESSMENT is used to record reasons for visit & symptoms.
- 4) Bed ID is surrogate composite identifier for BED; it is shown as a partial identifier as Care Center ID will be needed to complete the unique identifier and Care Center ID will be added in a later design step.

5.



Notes:

- 1) An EMPLOYEE may serve as a Nurse In Charge for 0, 1, or many CARECENTERS.
- 2) Visit ID is unique (surrogate) identifier for ASSESSMENT.
- 3) Comments attribute for ASSESSMENT is used to record reasons for visit & symptoms.
- 4) Bed ID is surrogate composite identifier for BED; it is shown as a partial identifier as Room No will be needed to complete the unique identifier and Room No will be added in a later design step.

6. Yes. Any combination of patient and treatment has multiple physicians who perform that treatment.
7. Yes. The model records the date, time, and results for each treatment occurrence performed by a physician on behalf of a patient.

P2.

A FACILITY can contain one or more CARE CENTERS or may contain no CARE CENTERS. A CARE CENTER is part of one and only one FACILITY.

A FACILITY may maintain one or more DIAGNOSTIC UNITS or may maintain no DIAGNOSTIC UNITS. A DIAGNOSTIC UNIT is part of only one FACILITY.

A CARE CENTER has many EMPLOYEES. Each CARE CENTER has one EMPLOYEE assigned as a nurse in charge. Each EMPLOYEE may work for one or more CARE CENTERS.

A CARE CENTER will contain one or more ROOMS. Each ROOM is contained in only one CARE CENTER.

A ROOM may contain one or more beds or may contain no BEDS, A BED is contained in only one ROOM.

A DIAGNOSTIC UNIT performs one or more TREATMENTS. A TREATMENT is performed by only one DIAGNOSTIC UNIT.

A BED is assigned to one patient or no patients. A PATIENT is assigned to one BED or no BEDS.

A PHYSICIAN admits one or more PATIENTS or admits no PATIENTS. A PATIENT is admitted by only one PHYSICIAN.

A PHYSICIAN may refer one or more PATIENTS or may refer no PATIENTS. A PATIENT must be referred by one PHYSICIAN.

A PATIENT may consume many ITEMS or may consume no ITEMS. An ITEM is consumed by one or more PATIENTS or may be consumed by no PATIENTS.

An ITEM is supplied by one or more VENDORS. A VENDOR may supply one or more items or may supply no ITEMS.

A PHYSICIAN may write one or more ORDERS or may write no ORDERS for one PATIENT. An ORDER is written by one PHYSICIAN.

An ORDER may consist of one or more ITEMS or no ITEMS. An ITEM may be part of one or more ORDERS or may be part of no ORDERS.

An ORDER may consist of one or more TREATMENTS or no TREATMENTS. A TREATMENT may be part of one or more ORDERS.

A PHYSICIAN may complete one or more DIAGNOSES for one or more PATIENTS. A DIAGNOSIS is completed for one PATIENT by one PHYSICIAN.

A **VENDOR** may supply one or more **ITEMs**. Each **ITEM** may be supplied by more than one **VENDOR**.

An **EMPLOYEE** completes one, none, or many **ASSESSMENTs** of a **PATIENT**. Each **PATIENT** may have one or many **ASSESSMENTs** over time at this hospital.

A **FACILITY** may prepare multiple staffing schedules for its **PHYSICIANs**. Each **SCHEDULE** instance is for a single **FACILITY** and a single **PHYSICIAN**. A **PHYSICIAN** may have zero, one, or many **SCHEDULEs**.

P3. [Sample questions are listed below; student answers may vary]

- a. How is patient billing done?
- b. What reporting requirements does the administration have?
- c. Should there be a distinction between a diagnostic test, a procedure, and a treatment?
- d. Can a physician choose which diagnostic unit to use for a test?
- e. How will we handle referrals by physicians who are not on staff?
- f. How will medical records be modeled?
- g. Should the relationship between patient and bed contain a start and end date?