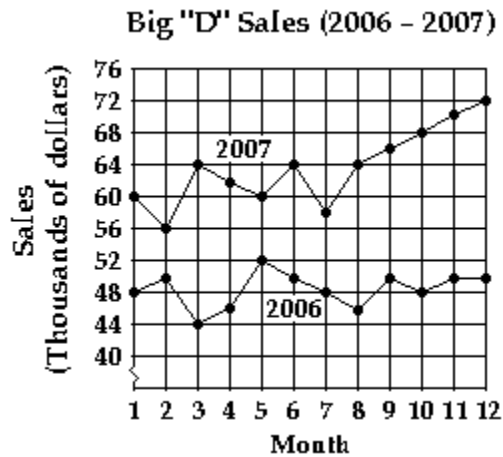


MULTIPLE CHOICE. Choose the one alternative that best completes the statement or answers the question.

The graph shows sales in thousands of dollars for 1989 and 1990. Use it to answer the question.



- 1) If the ordered pair (x, y) represents a point on the graph, what does x represent? What does y represent?
- A) y represents the month; x represents the sales in thousands of dollars.
 - B) x represents the year 2006; y represents the sales in thousands of dollars
 - C) x represents the month; y represents the sales in thousands of dollars.
 - D) x represents the year 2006; y represents the year 2007.

Answer: C

- 2) Estimate the sales in June 2006.

- A) about \$64 thousand
- B) about \$48 thousand
- C) about \$50 thousand
- D) about \$52 thousand

Answer: C

- 3) Write an ordered pair (x, y) that gives approximately the sales in June 2006.

- A) $(6, 50)$
- B) $(50, 6)$
- C) $(2006, 50)$
- D) $(\text{June}, 50)$

Answer: A

SHORT ANSWER. Write the word or phrase that best completes each statement or answers the question.

- 4) What does the ordered pair $(10, 48)$ for 2006 mean in the context of this graph?

Answer: In October 2006, the sales were about \$48 thousand.

MULTIPLE CHOICE. Choose the one alternative that best completes the statement or answers the question.

- 5) Which month in 2006 had the lowest sales?

- A) Month 8
- B) Month 3
- C) Month 6
- D) Month 2

Answer: B

- 6) Which month in 2007 had the highest sales?

- A) Month 3
- B) Month 12
- C) Month 6
- D) Month 5

Answer: B

- 7) What month in 2006 had the highest sales?

- A) Month 3
- B) Month 2
- C) Month 5
- D) Month 12

Answer: C

8) What month in 2007 had the lowest sales?

A) Month 5

B) Month 2

C) Month 12

D) Month 3

Answer: B

Name the quadrant, if any, in which the point is located.

9) (16, 17)

A) III

B) I

C) II

D) None

Answer: B

10) (-14, 2)

A) III

B) I

C) None

D) II

Answer: D

11) (-13, -7)

A) II

B) III

C) IV

D) None

Answer: B

12) (8, -8)

A) I

B) III

C) II

D) IV

Answer: D

13) (-16, 0)

A) IV

B) None

C) III

D) II

Answer: B

14) (0, -15)

A) II

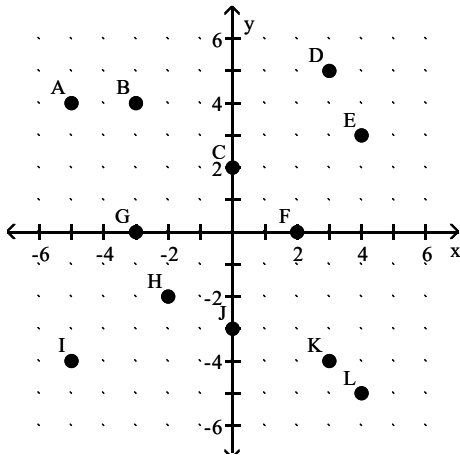
B) III

C) None

D) IV

Answer: C

Plot the point on the rectangular coordinate system provided. Write the corresponding letter as your answer.



15) (0, 2)

A) F

B) K

C) C

D) B

Answer: C

16) $(-5, -4)$
 A) G B) I C) A D) L
 Answer: B

17) $(-3, 4)$
 A) A B) F C) B D) K
 Answer: C

18) $(-3, 0)$
 A) C B) J C) G D) F
 Answer: C

19) $(3, 5)$
 A) I B) K C) D D) L
 Answer: C

20) $(4, 3)$
 A) D B) C C) K D) E
 Answer: D

21) $(0, -3)$
 A) I B) G C) C D) J
 Answer: D

22) $(2, 0)$
 A) C B) F C) B D) K
 Answer: B

23) $(4, -5)$
 A) F B) K C) A D) L
 Answer: D

Complete the table for the equation.

24) $x + y = 6$

x	y
2	
6	
0	

A) 8; 0; 6 B) 4; 0; 6 C) 2; 6; 0 D) 4; -2; 6
 Answer: B

25) $y = -x + 2$

x	y
9	
2	
0	

A) -7; 0; 2 B) -7; 0; 0 C) 7; -7; 2 D) 7; 0; 2
 Answer: A

26) $3x + y = 7$

x	y
2	
7	
0	

A) 7; 7; 7

B) 7; -14; -14

C) 1; -14; 7

D) 1; -14; -14

Answer: C

27) $y + 3x = -16$

x	y
-6	
	32
0	

A) 2; -16; 0

B) 2; -32; 32

C) -6; -16; -16

D) 2; -16; -16

Answer: D

28) $y = -6x - 16$

x	y
-3	
0	
	-22

A) 2; -16; 1

B) 2; 0; 1

C) 2; -20; 1

D) -3; -16; 1

Answer: A

29) $x + 4y = 16$

x	y
4	
0	
-4	

A) -3; -4; -5

B) 0; 4; 8

C) 3; 4; 5

D) 5; 4; 3

Answer: C

30) $-2x - 3y = -9$

x	y
	3
-3	
	1

A) 0; 3; 5

B) 0; -5; 3

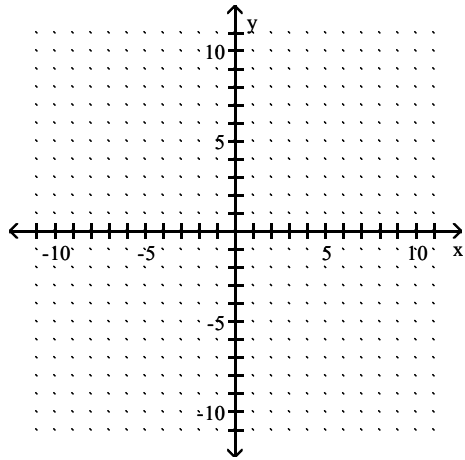
C) 0; -3; -5

D) 0; 5; 3

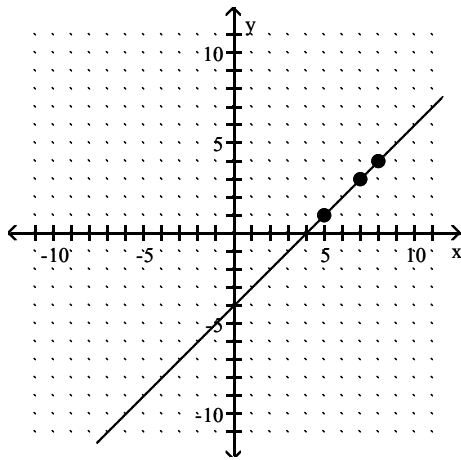
Answer: D

Graph the equation by determining the missing values needed to plot the ordered pairs.

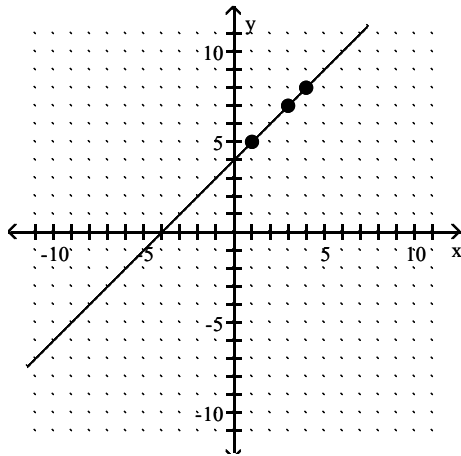
31) $y + x = 4$; (3,), (4,), (1,)



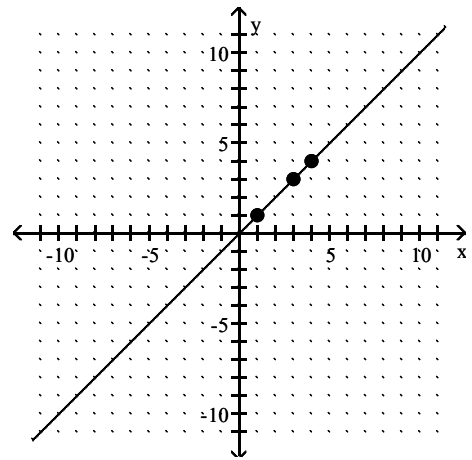
A)



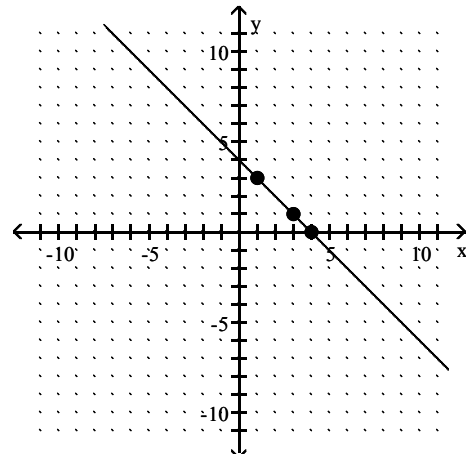
C)



B)

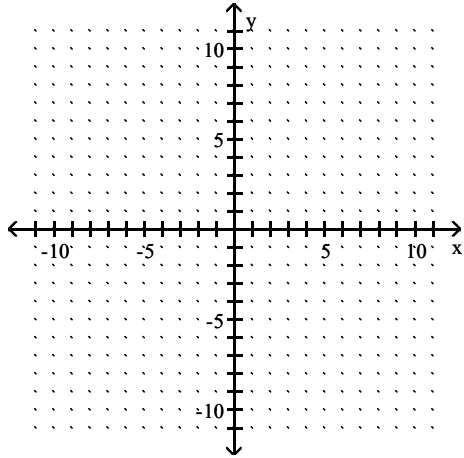


D)

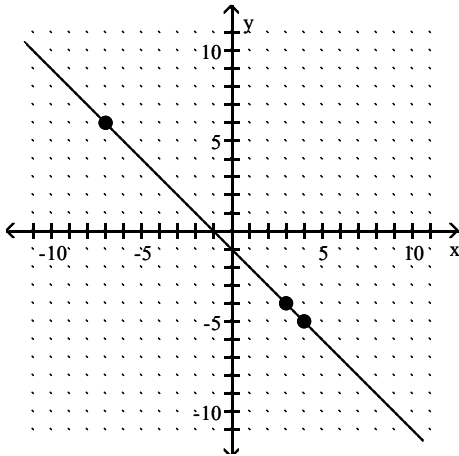


Answer: D

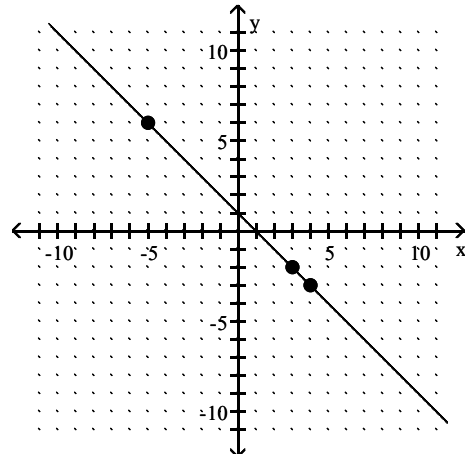
32) $y - x = -1$; $(4, \quad)$, $(\quad, 6)$, $(3, \quad)$



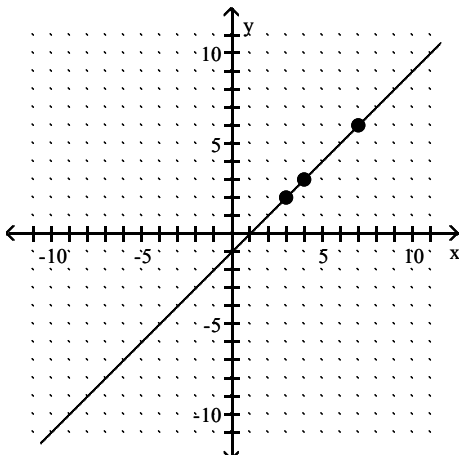
A)



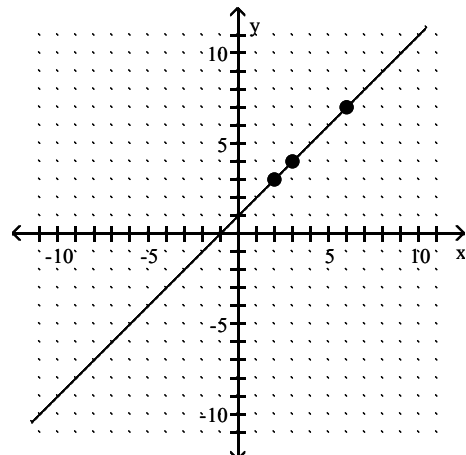
B)



C)

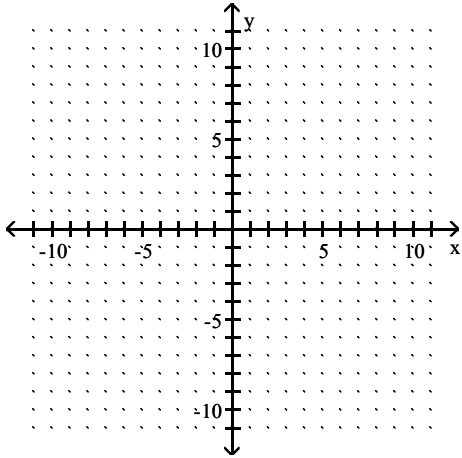


D)

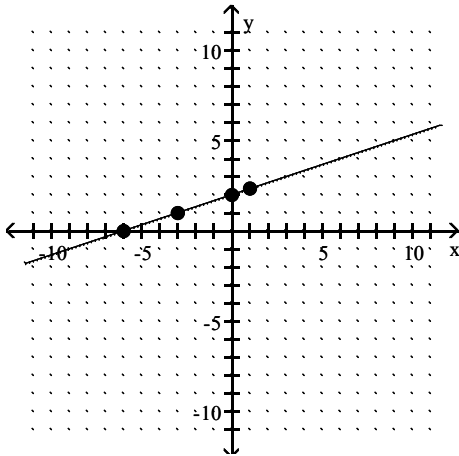


Answer: C

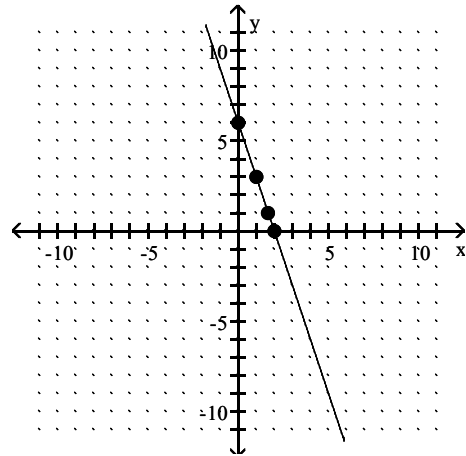
33) $x + 3y = 6$; $(0, \quad), (\quad, 0), (1, \quad), (\quad, 1)$



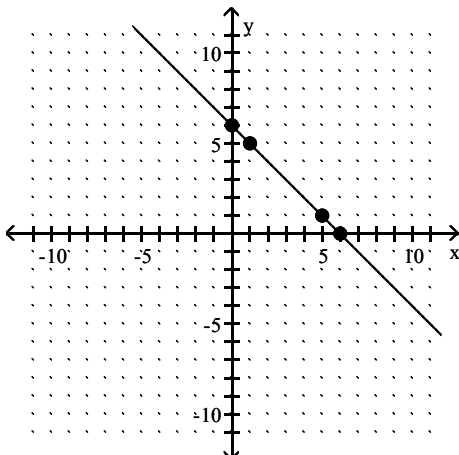
A)



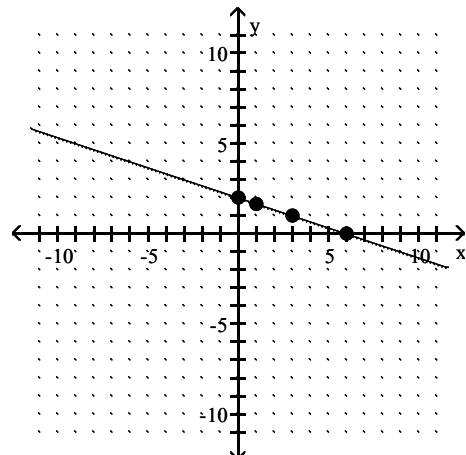
B)



C)

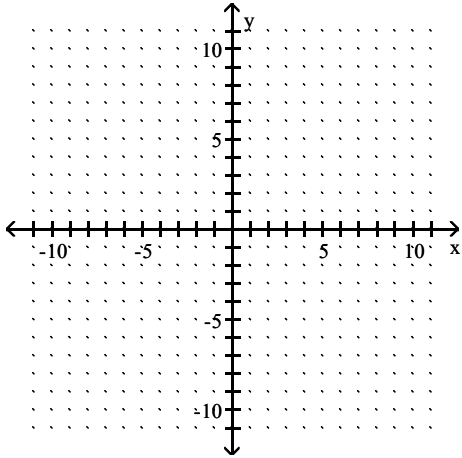


D)

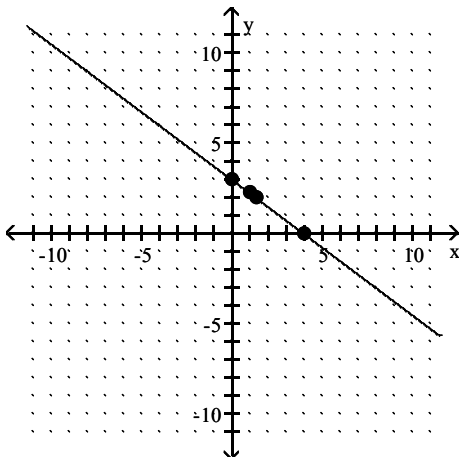


Answer: D

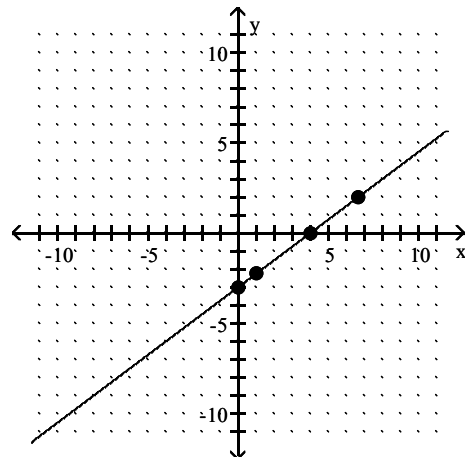
34) $3x + 4y = 12$; $(0, \quad)$, $(\quad, 0)$, $(1, \quad)$, $(\quad, 2)$



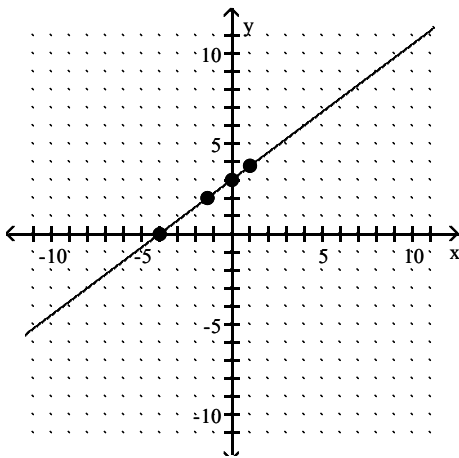
A)



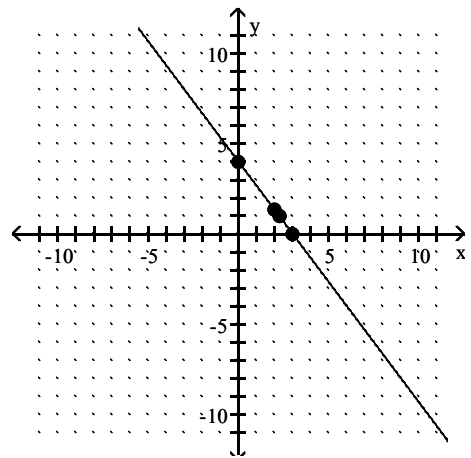
B)



C)



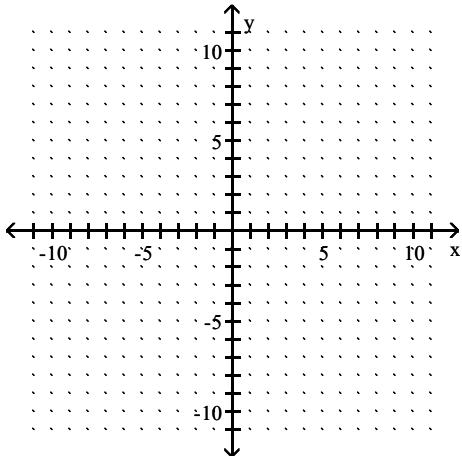
D)



Answer: A

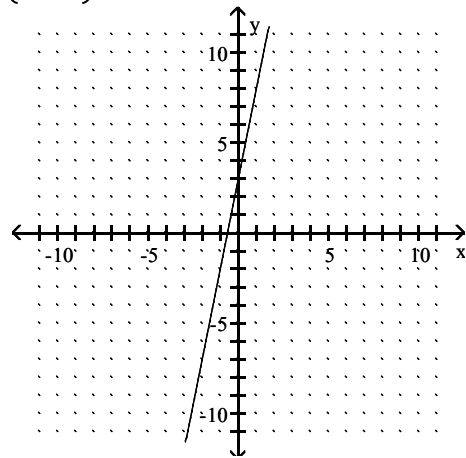
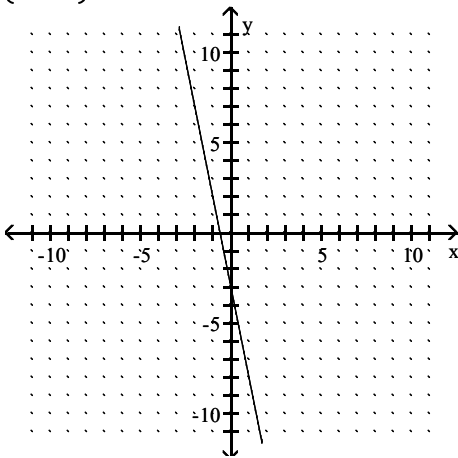
Find the x- and y-intercepts. Then graph the equation.

35) $10y - 2x = -6$



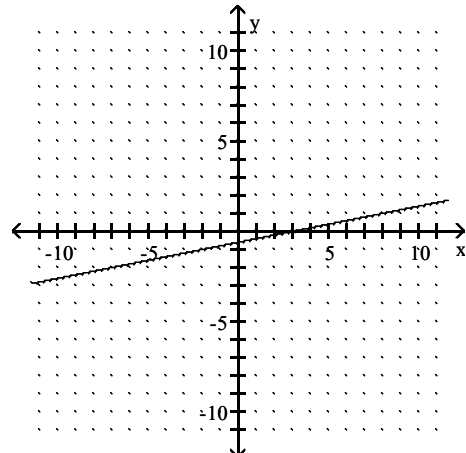
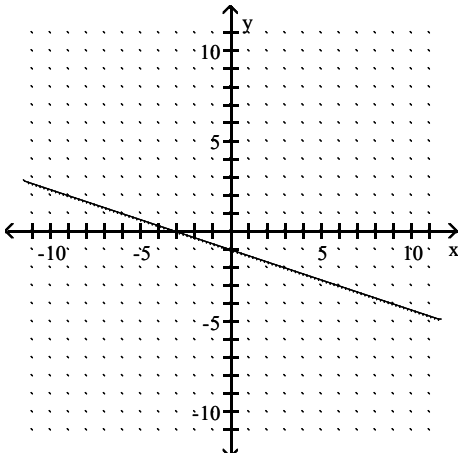
A) $\left(-\frac{3}{5}, 0\right); (0, -3)$

B) $\left(-\frac{3}{5}, 0\right); (0, 3)$



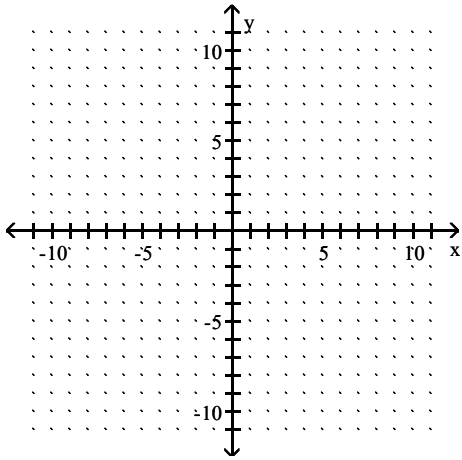
C) $(-3, 0); \left(0, -\frac{3}{5}\right)$

D) $(3, 0); \left(0, -\frac{3}{5}\right)$

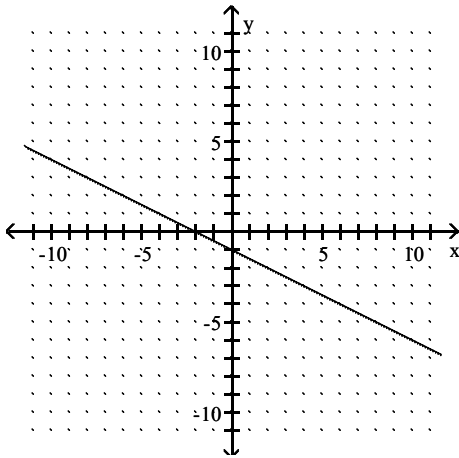


Answer: D

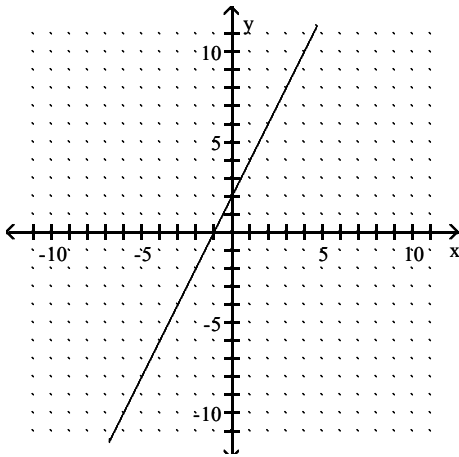
36) $-5x - 10y = 10$



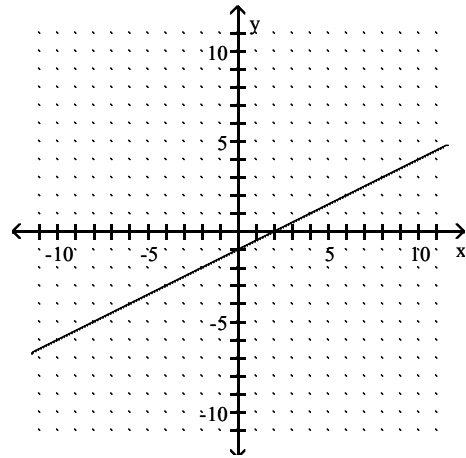
A) $(-2, 0); (0, -1)$



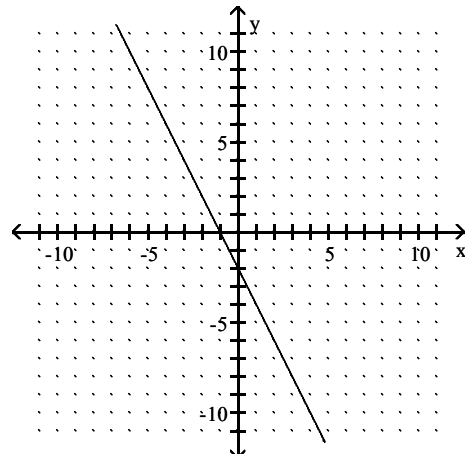
C) $(-1, 0); (0, 2)$



B) $(2, 0); (0, -1)$

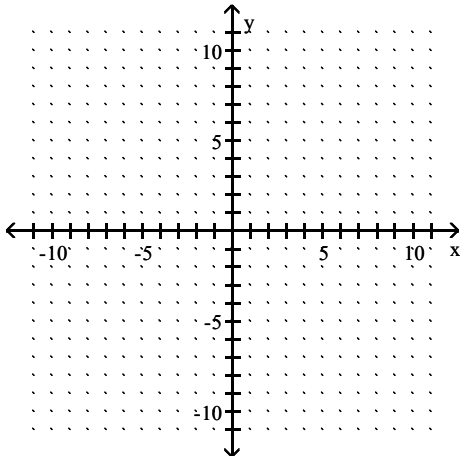


D) $(-1, 0); (0, -2)$

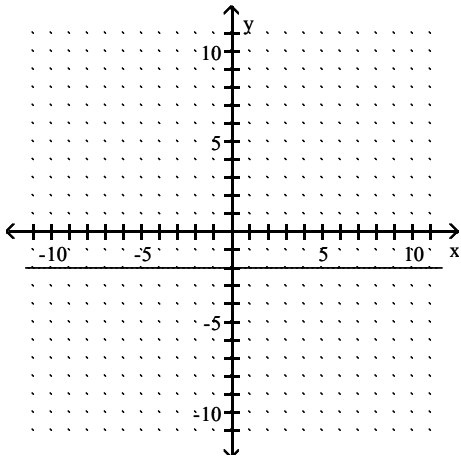


Answer: A

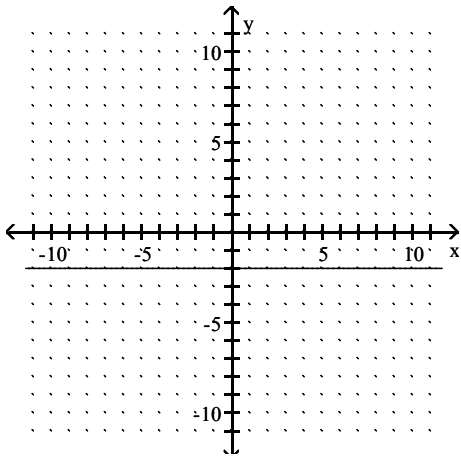
37) $y = -2$



A) None; (0, -2)

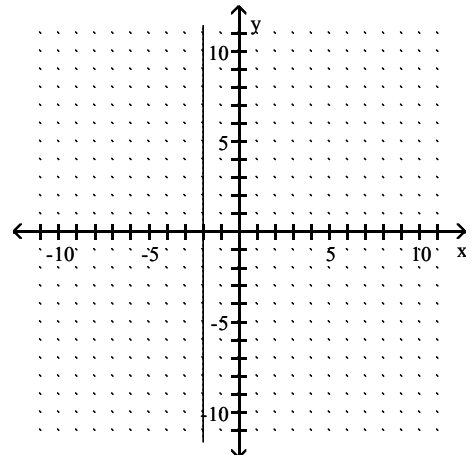


C) (-2, 0); none

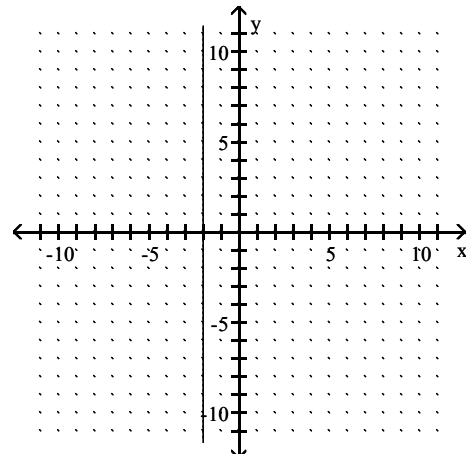


Answer: A

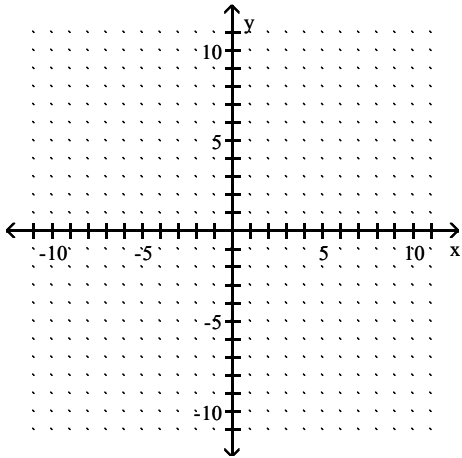
B) None; (0, -2)



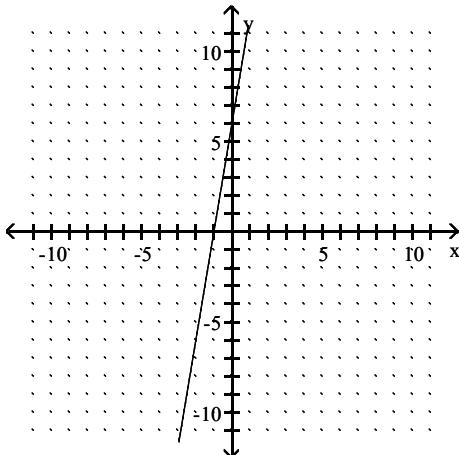
D) (-2, 0); none



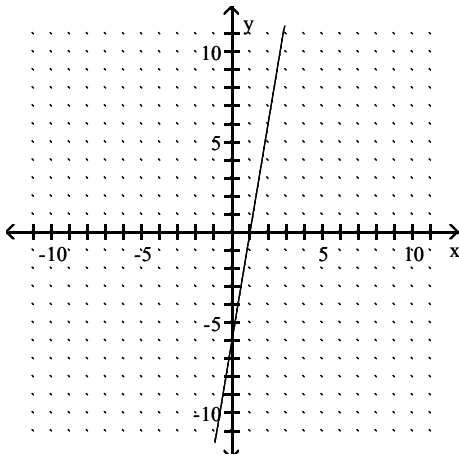
38) $3x - 18y = 18$



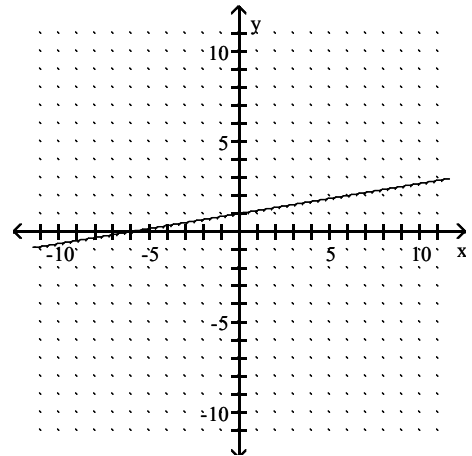
A) $(-1, 0); (0, 6)$



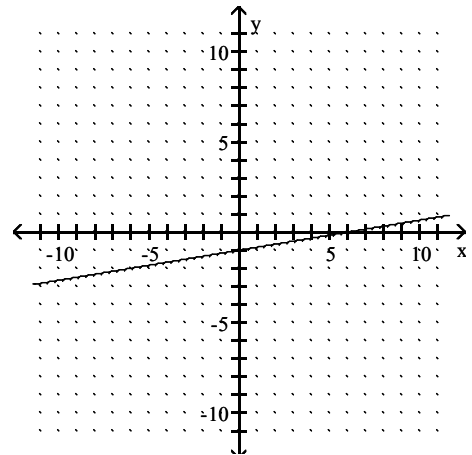
C) $(1, 0); (0, -6)$



B) $(-6, 0); (0, 1)$

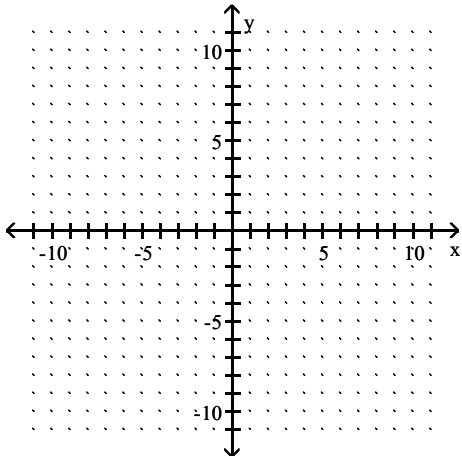


D) $(6, 0); (0, -1)$



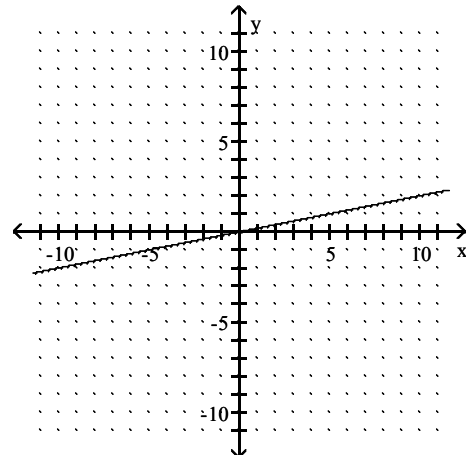
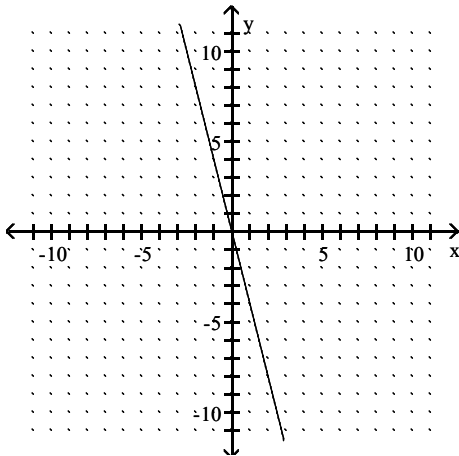
Answer: D

39) $4x - 20y = 0$



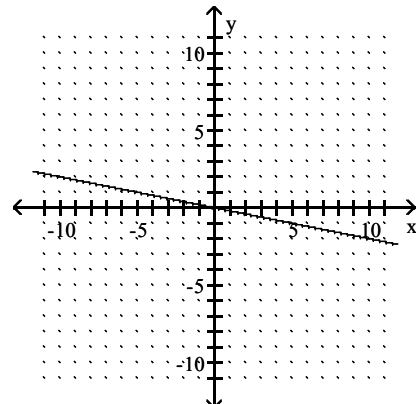
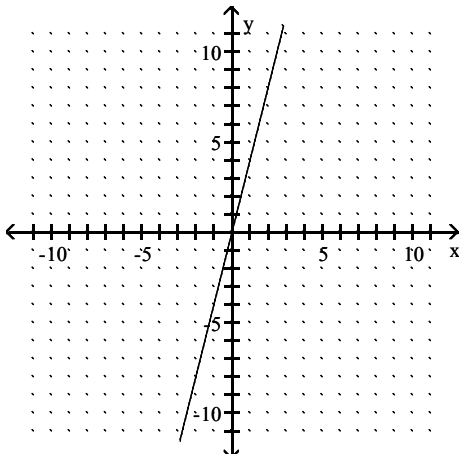
A) $(0, 0); (0, 0)$

B) $(0, 0); (0, 0)$



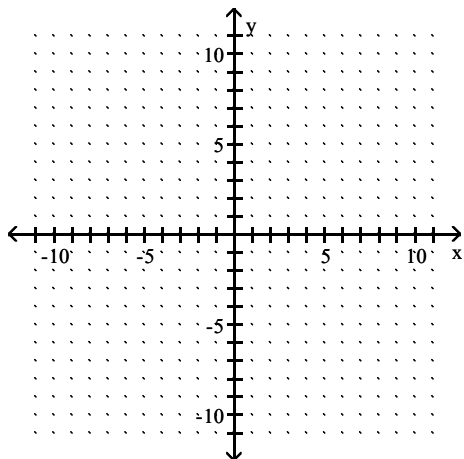
C) $(0, 0); (0, 0)$

D) $(0, 0); (0, 0)$



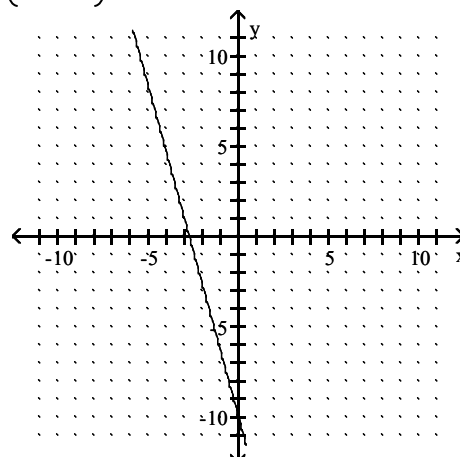
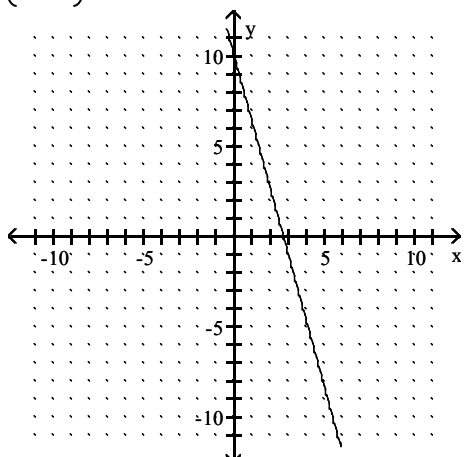
Answer: B

$$40) \frac{11}{5}x + \frac{3}{5}y = 6$$



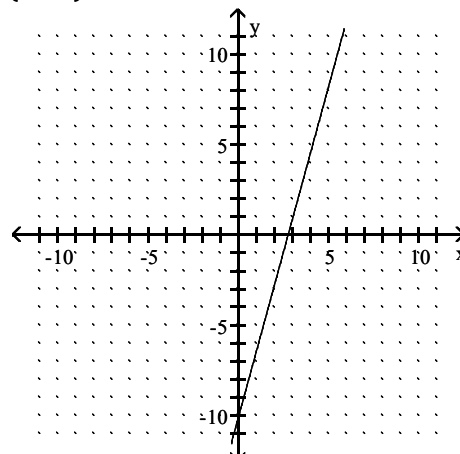
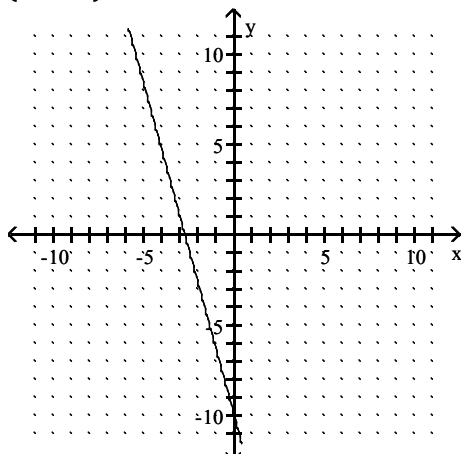
A) $\left(\frac{30}{11}, 0\right); (0, 10)$

B) $\left(-\frac{30}{11}, 0\right); (0, 10)$



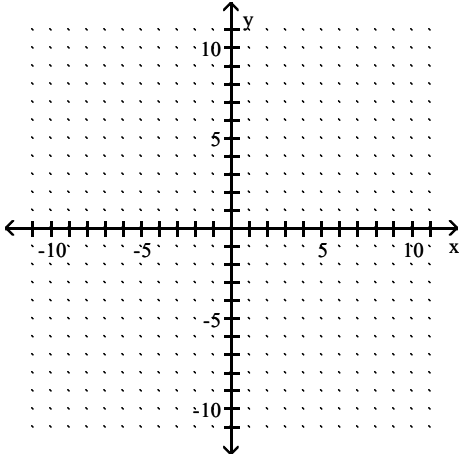
C) $\left(-\frac{30}{11}, 0\right); (0, -10)$

D) $\left(\frac{30}{11}, 0\right); (0, -10)$

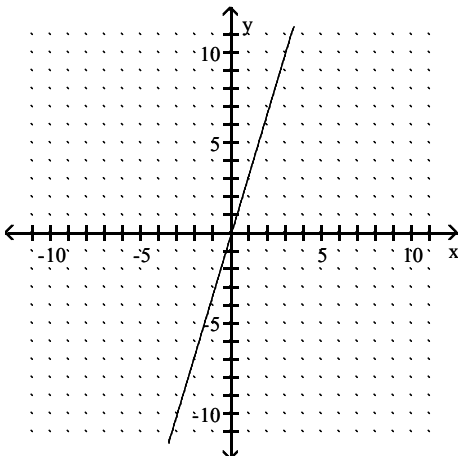


Answer: A

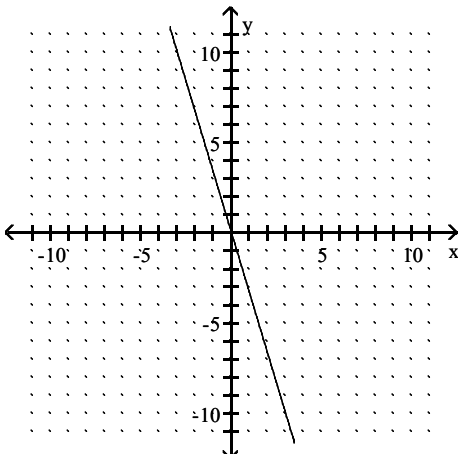
41) $2y = \frac{3}{5}x$



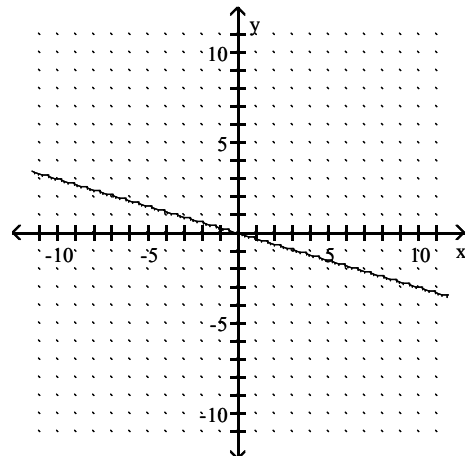
A) $(0, 0); (0, 0)$



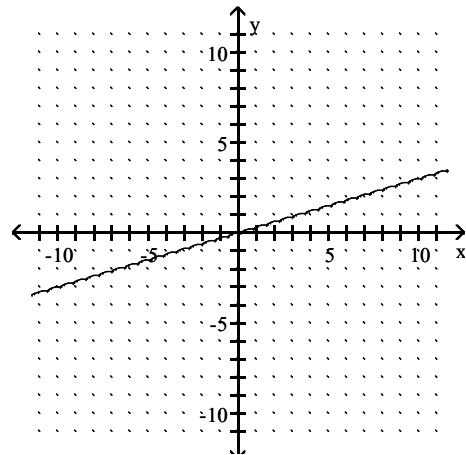
C) $(0, 0); (0, 0)$



B) $(0, 0); (0, 0)$

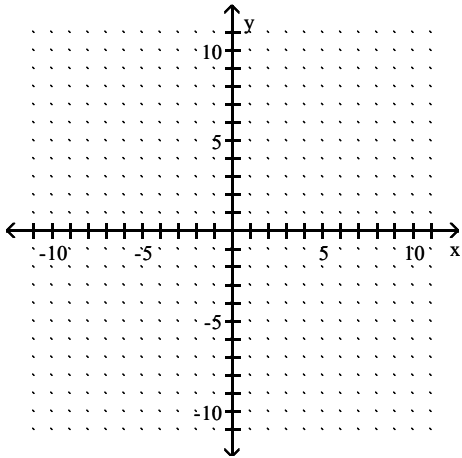


D) $(0, 0); (0, 0)$



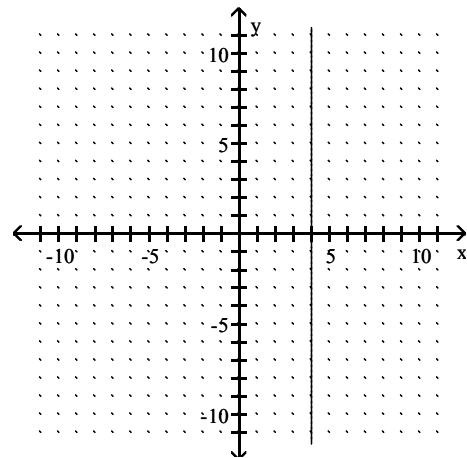
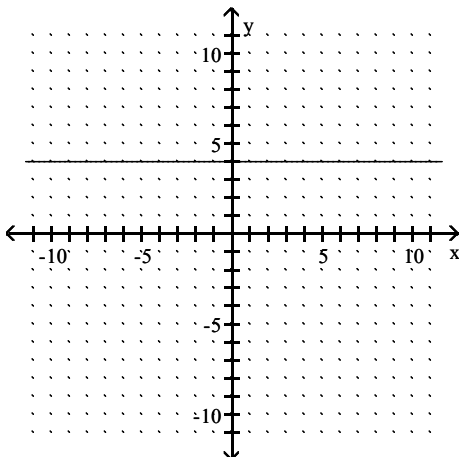
Answer: D

42) $x = 4$



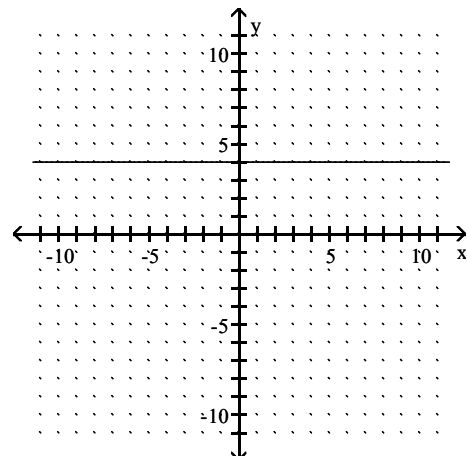
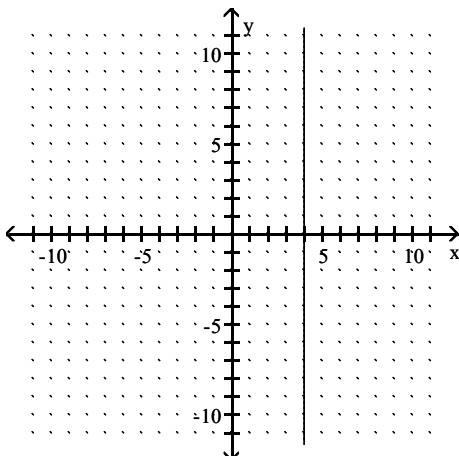
A) $(4, 0)$; none

B) None; $(0, 4)$



C) $(4, 0)$; none

D) None; $(0, 4)$



Answer: C

Find the midpoint of the segment with the given endpoints.

43) $(6, 4)$ and $(0, 7)$

A) $(6, -3)$

B) $(6, 11)$

C) $\left(3, -\frac{3}{2}\right)$

D) $\left(3, \frac{11}{2}\right)$

Answer: D

44) (2, -1) and (-8, 2)

A) (10, -3)

B) (-6, 1)

C) $\left(-3, \frac{1}{2}\right)$

D) $\left(5, -\frac{3}{2}\right)$

Answer: C

45) (-4, -5) and (1, 6)

A) $\left(-\frac{3}{2}, \frac{1}{2}\right)$

B) (-5, -11)

C) $\left(-\frac{5}{2}, -\frac{11}{2}\right)$

D) (-3, 1)

Answer: A

46) (9, -6) and (-9, -9)

A) (0, -15)

B) $\left(9, \frac{3}{2}\right)$

C) (18, 3)

D) $\left(0, -\frac{15}{2}\right)$

Answer: D

47) $\left(\frac{11}{2}, \frac{9}{2}\right)$ and $\left(\frac{5}{2}, \frac{11}{2}\right)$

A) (36, 4)

B) (4, 5)

C) (256, 400)

D) $\left(\frac{3}{2}, -\frac{1}{2}\right)$

Answer: B

48) (1.8, -4.4) and (6.7, 3.3)

A) (8.5, -1.1)

B) (-4.9, -7.7)

C) (4.25, -0.55)

D) (-2.45, -3.85)

Answer: C

Suppose that segment PQ has the given coordinates for one endpoint P and for its midpoint M. Find the coordinates of the other endpoint Q.

49) P(5, 8) and M $\left(\frac{9}{2}, \frac{9}{2}\right)$

A) Q(9, 9)

B) Q(1, 7)

C) Q $\left(\frac{1}{2}, \frac{7}{2}\right)$

D) Q(4, 1)

Answer: D

50) P(4, -4) and M $\left(-1, \frac{1}{2}\right)$

A) Q $\left(5, -\frac{9}{2}\right)$

B) Q(-2, 1)

C) Q(10, -9)

D) Q(-6, 5)

Answer: D

51) P(9, 3) and M $\left(\frac{7}{2}, -3\right)$

A) Q(7, -6)

B) Q $\left(-\frac{11}{2}, -6\right)$

C) Q(-11, -12)

D) Q(-2, -9)

Answer: D

52) $P(-4, -4)$ and $M\left(-\frac{3}{2}, 1\right)$

A) $Q(1, 6)$

B) $Q(-3, 2)$

C) $Q(5, 10)$

D) $Q\left(\frac{5}{2}, 5\right)$

Answer: A

53) $P\left(\frac{7}{2}, \frac{7}{2}\right)$ and $M\left(-\frac{1}{2}, 3\right)$

A) $Q(256, 4)$

B) $Q\left(4, \frac{1}{2}\right)$

C) $Q\left(-\frac{9}{2}, \frac{5}{2}\right)$

D) $Q(4, 144)$

Answer: C

54) $P(3.6, -3.2)$ and $M(2.55, -2.9)$

A) $Q(1.5, -2.6)$

B) $Q(2.1, -0.6)$

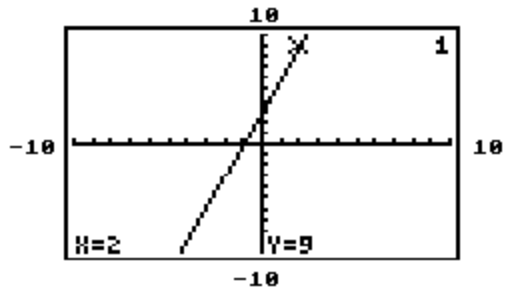
C) $Q(1.05, -0.3)$

D) $Q(5.1, -5.8)$

Answer: A

Solve the problem.

55) The graphing calculator screen shows the graph of one of the equations below. Which equation is it?



A) $y = 3x + 3$

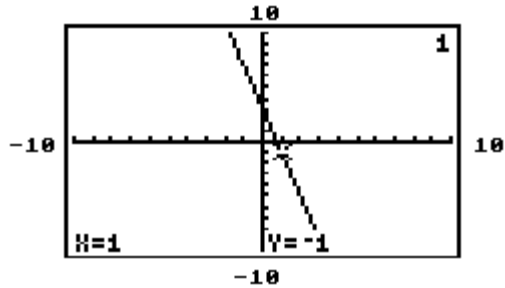
B) $y - 3x = 15$

C) $y + 3x = 15$

D) $y + 3x = 3$

Answer: A

56) The graphing calculator screen shows the graph of one of the equations below. Which equation is it?



A) $y = -4x + 3$

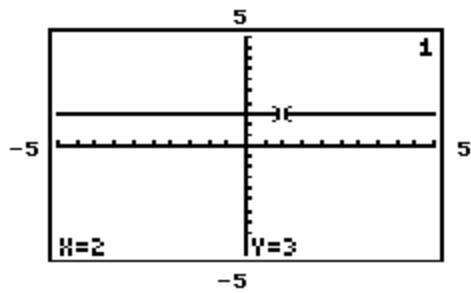
B) $y - 4x = 3$

C) $y + 4x = -5$

D) $y - 4x = -5$

Answer: A

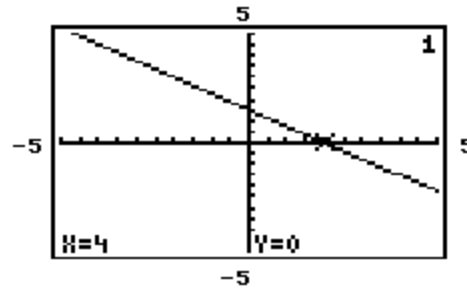
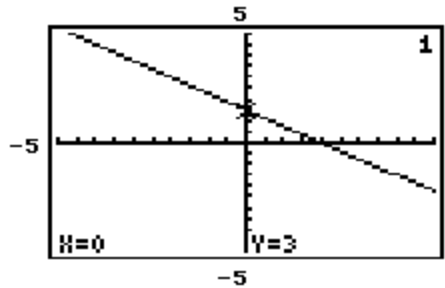
57) The graphing calculator screen shows the graph of one of the equations below. Which equation is it?



- A) $x - y = -1$ B) $y - x = 1$ C) $y = 3$ D) $x + y = 5$

Answer: C

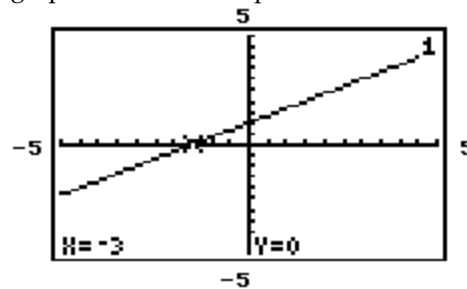
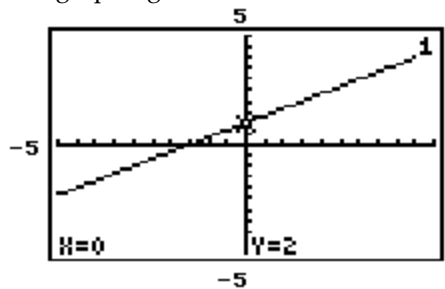
58) The graphing calculator screens show the graph of one of the equations below. Which equation is it?



- A) $3x + 4y = 12$ B) $3x - 4y = -12$ C) $3x - 4y = 12$ D) $-3x + 4y = 12$

Answer: A

59) The graphing calculator screens show the graph of one of the equations below. Which equation is it?



- A) $2x - 3y = 6$ B) $-2x + 3y = -6$ C) $-2x + 3y = 6$ D) $3x - 2y = -6$

Answer: C

60) The table of ordered pairs was generated by a graphing calculator with a table feature. Which equation corresponds to this table of values?

X	Y ₁
0.00	5.00
1.00	9.00
-2.00	-3.00
2.00	13.00

X=0

- A) $y_1 = 4x - 5$ B) $y_1 = 4x + 5$ C) $y_1 = -4x + 5$ D) $y_1 = -4x - 5$

Answer: B

61) The table of ordered pairs was generated by a graphing calculator with a table feature. Which equation corresponds to this table of values?

X	Y ₁
2.00	-2.00
6.00	0.00
-2.00	-4.00
4.00	-1.00

X=2

A) $y_1 = \frac{1}{2}x - 3$

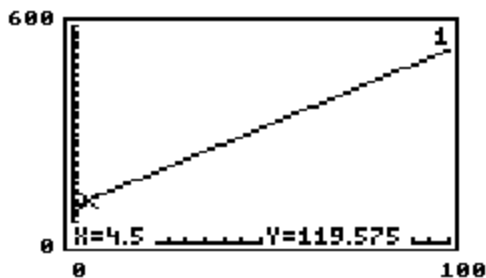
B) $y_1 = -\frac{1}{2}x + 3$

C) $y_1 = \frac{1}{2}x + 3$

D) $y_1 = -\frac{1}{2}x - 3$

Answer: A

62) Suppose that it has been determined that if 100 of a certain fish are introduced into a pond with certain environmental conditions, then in x months, there will be $y = 4.35x + 100$ fish in the pond. A portion of the graph of this equation is shown on the accompanying screen, along with the coordinates of a point on the line. How can this point be interpreted in the context of the model?



A) It means that in 4.5 months, there should be approximately 120 fish in the pond

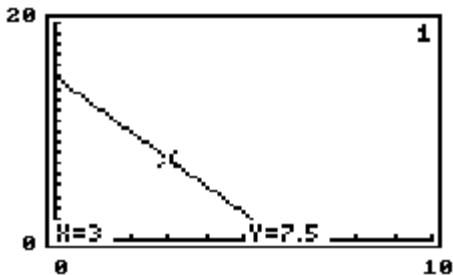
B) It means that there will be fish in the pond in 4.5 months and in 119.6 months

C) It means that in 119.6 months, there should be approximately 5 fish in the pond

D) It means that there could be between 5 and 120 fish in the pond at a certain time

Answer: A

63) Suppose that the speed at which an experienced person can paddle a canoe upstream is approximated by $y = -2.5x + 15$ ($0 < x < 6$), where x is the number of hours paddled and y is the speed of the canoe in miles per hour. A portion of the graph of this equation is shown on the accompanying screen, along with the coordinates of a point on the line. How can this point be interpreted in the context of the model?



A) It means that after 3 hours of paddling, the canoe is traveling at a speed of 7.5 miles per hour.

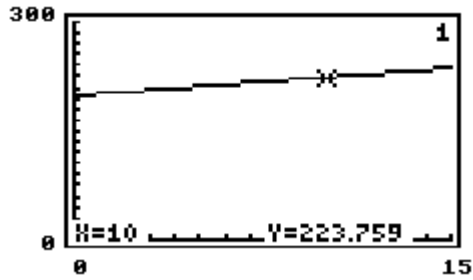
B) It means that after 7.5 hours of paddling, the canoe is traveling at a speed of 3 miles per hour.

C) It means that an experienced person can paddle between 3 and 7.5 hours.

D) It means that the canoe can travel at a speed of between 3 and 7.5 miles per hour

Answer: A

- 64) The winning speeds for the Grayslake 250 race from 1980–1992 are approximated by the linear equation $y = 2.503x + 198.729$. In the model, $x = 0$ corresponds to 1980, $x = 1$ to 1981, and so on. A portion of the graph of the equation is shown on the accompanying screen, along with the coordinates of a point on the line. How can this point be interpreted in the context of the model?



- A) It means that 10 years from now, the winning speed will be approximately 224 miles per hour.
 B) It means that in the year 1990, the winning speed was approximately 224 miles per hour.
 C) It means that the winning speed in the year 1990 will be the same as in the year 2203.
 D) It means that the winning speed was between 10 and 224 miles per hour.

Answer: B

SHORT ANSWER. Write the word or phrase that best completes each statement or answers the question.

Provide an appropriate response.

- 65) The point with coordinates $(0, 0)$ is called the __.

Answer: origin

- 66) For any value x , the point $(x, 0)$ lies on the __ axis.

Answer: x

- 67) To find the y-intercept of a line we let __ = 0 and solve for __.

Answer: x, y

- 68) The equation __ = 2 has a vertical line as its graph.

Answer: x

- 69) To graph a straight line, we must find a minimum of __ points.

Answer: two

MULTIPLE CHOICE. Choose the one alternative that best completes the statement or answers the question.

- 70) Determine the quadrants in which the given point (x, y) may lie when $xy < 0$.

A) I or II B) II or IV C) I or III D) II or III

Answer: B

- 71) Determine the quadrants in which the given point (x, y) may lie when $x < 0$.

A) II or III B) II or IV C) III or IV D) I or IV

Answer: A

Find the slope.

$$72) m = \frac{13 - 3}{7 - 5}$$

A) -5

B) 5

C) 8

D) 12

Answer: B

$$73) m = \frac{4 - 6}{-5 - 3}$$

A) -1

B) 1

C) $\frac{1}{4}$

D) $-\frac{1}{4}$

Answer: C

$$74) m = \frac{5 - (-2)}{-9 - (-4)}$$

A) $-\frac{3}{5}$

B) $-\frac{7}{5}$

C) $-\frac{7}{11}$

D) $\frac{7}{5}$

Answer: B

$$75) m = \frac{-3 - (-3)}{10 - 7}$$

A) -2

B) 0

C) Undefined

D) 2

Answer: B

$$76) m = \frac{7 - 3}{-1 - (-1)}$$

A) -2

B) 4

C) Undefined

D) 0

Answer: C

$$77) m = \frac{7 - (-3)}{2 - (-2)}$$

A) $\frac{5}{4}$

B) 1

C) $-\frac{5}{2}$

D) $\frac{5}{2}$

Answer: D

$$78) m = \frac{5 - 2}{8 - 3}$$

A) Undefined

B) $\frac{3}{5}$

C) 0

D) $\frac{7}{5}$

Answer: B

$$79) m = \frac{4 - (-8)}{8 - (-4)}$$

A) 0

B) 1

C) -1

D) Undefined

Answer: B

Find the slope of the line through the given pair of points, if possible. Based on the slope, indicate whether the line through the points rises from left to right, falls from left to right, is horizontal, or is vertical.

80) $(-7, -9)$ and $(-5, -8)$

A) $-\frac{1}{2}$; falls

B) -2 ; falls

C) 2 ; rises

D) $\frac{1}{2}$; rises

Answer: D

81) $(9, -6)$ and $(-1, 6)$

A) $-\frac{5}{6}$; falls

B) $\frac{6}{5}$; rises

C) $-\frac{6}{5}$; falls

D) $\frac{5}{6}$; rises

Answer: C

82) $(-3, -3)$ and $(-3, 7)$

A) 10 ; rises

C) -10 ; falls

B) 0 ; horizontal

D) Undefined; vertical

Answer: D

83) $(2, -5)$ and $(-1, -5)$

A) 3 ; rises

C) -3 ; falls

B) Undefined; vertical

D) 0 ; horizontal

Answer: D

84) $(-0.6, -2.8)$ and $(2.5, -1.6)$

A) $\frac{12}{31}$; rises

B) $-\frac{12}{31}$; falls

C) $-\frac{31}{12}$ falls

D) $\frac{31}{12}$; rises

Answer: A

85) $(0.9, -3.9)$ and $(-0.7, -0.4)$

A) $-\frac{35}{16}$; falls

B) $-\frac{16}{35}$; falls

C) $\frac{35}{16}$; rises

D) $\frac{16}{35}$; rises

Answer: A

86) $\left(-\frac{1}{2}, \frac{1}{9}\right)$ and $\left(-\frac{3}{10}, \frac{2}{9}\right)$

A) $\frac{9}{10}$; rises

B) $\frac{5}{9}$; rises

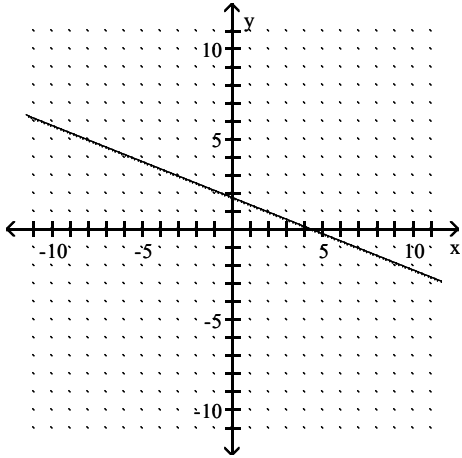
C) $\frac{9}{20}$; rises

D) $\frac{9}{10}$; falls

Answer: B

Find the slope of the line.

87)



A) $-\frac{2}{5}$

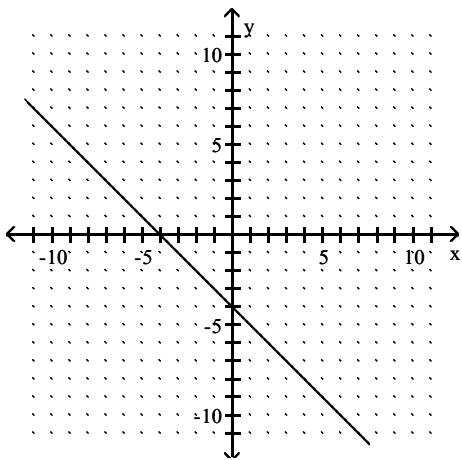
B) $\frac{2}{5}$

C) $\frac{5}{2}$

D) $-\frac{5}{2}$

Answer: A

88)



A) 4

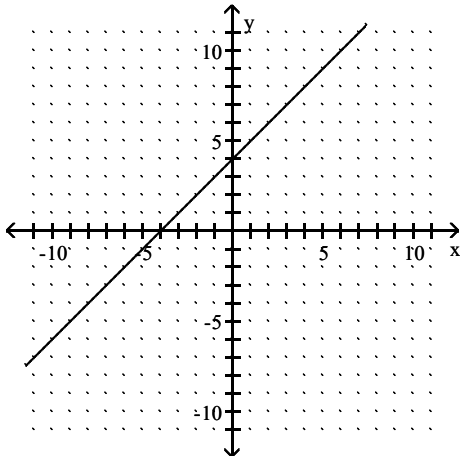
B) 1

C) -1

D) -4

Answer: C

89)



A) -4

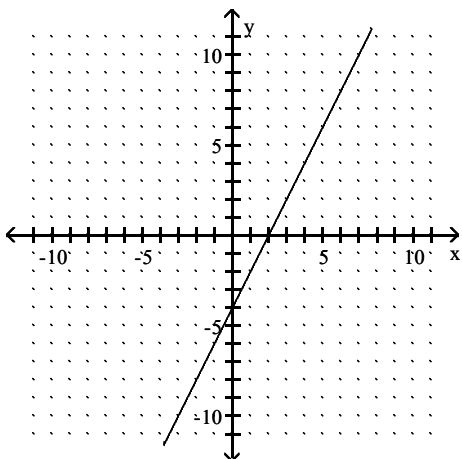
B) 4

C) -1

D) 1

Answer: D

90)



A) -2

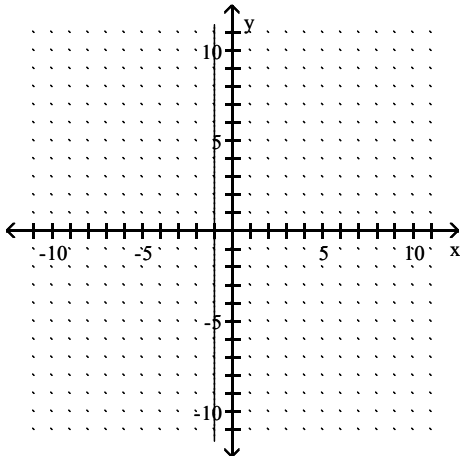
B) $\frac{1}{2}$

C) 2

D) $-\frac{1}{2}$

Answer: C

91)



A) 0

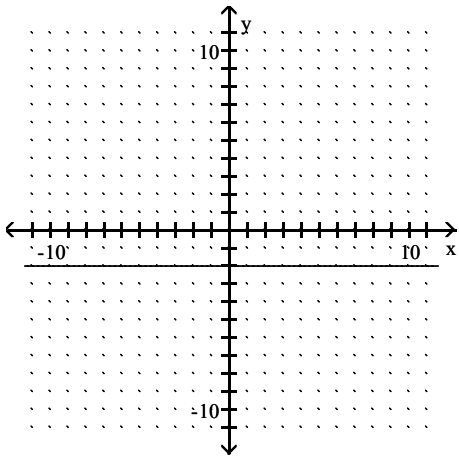
B) -1

C) Undefined

D) $\frac{3}{2}$

Answer: C

92)



A) -2

B) 2

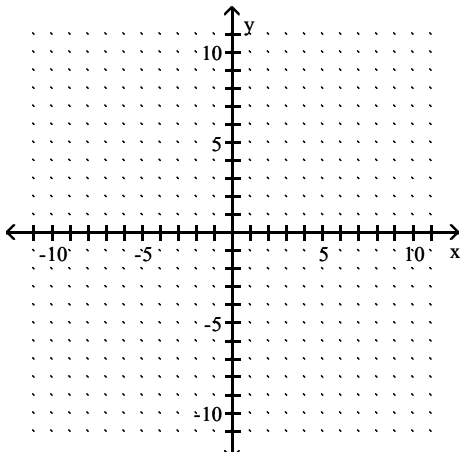
C) 0

D) Undefined

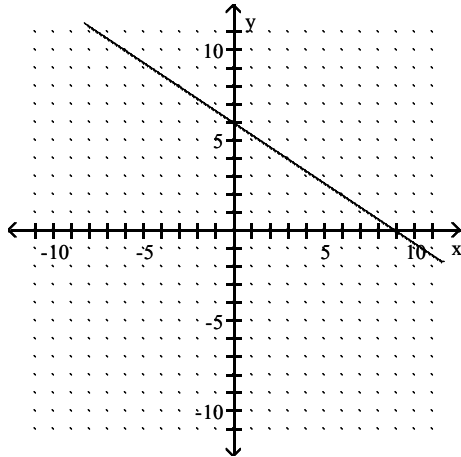
Answer: C

Find the slope of the line and sketch the graph.

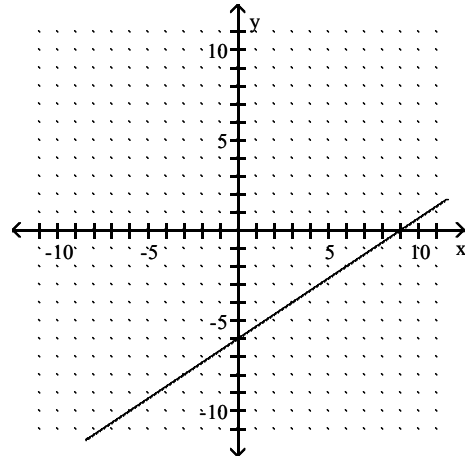
93) $2x + 3y = 18$



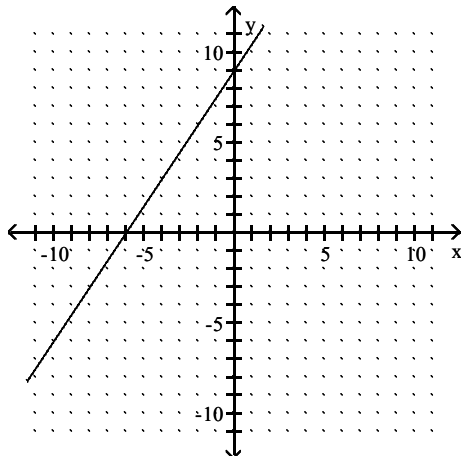
A) Slope: $-\frac{2}{3}$



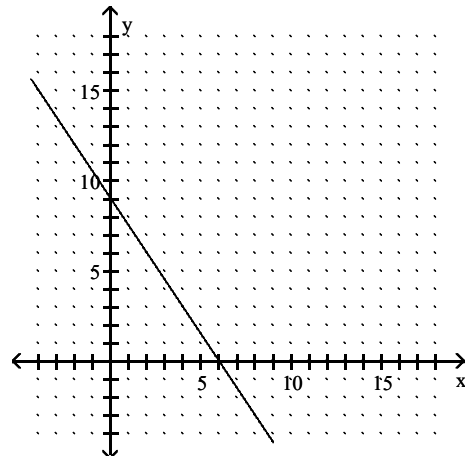
B) Slope: $\frac{2}{3}$



C) Slope: $\frac{3}{2}$

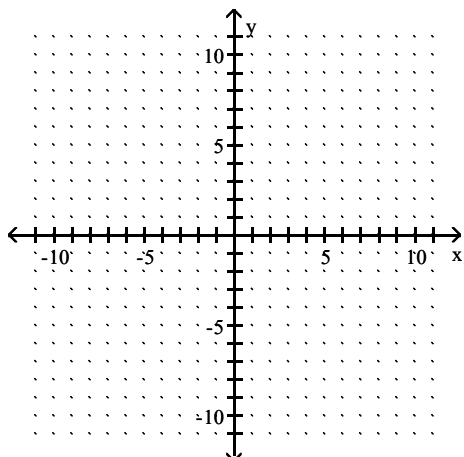


D) Slope: $-\frac{3}{2}$

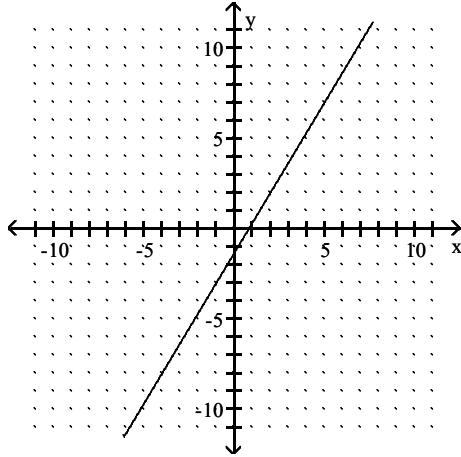


Answer: A

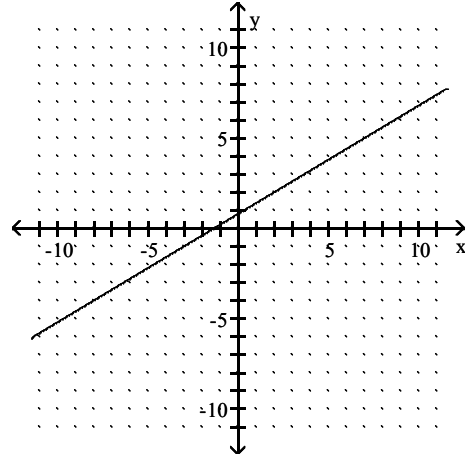
94) $3x - 5y = -4$



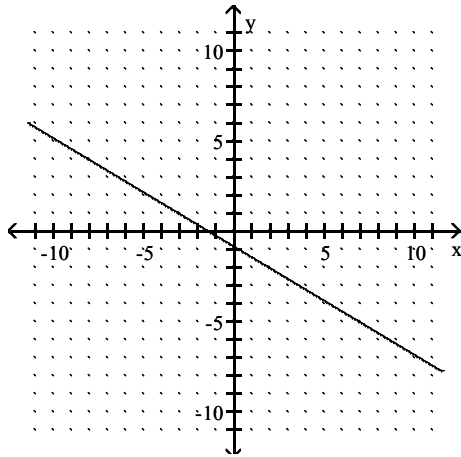
A) Slope: $-\frac{5}{3}$



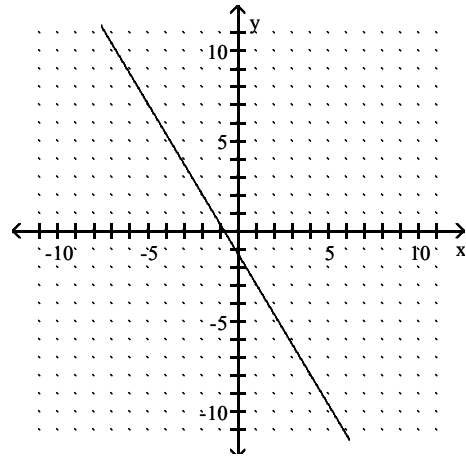
B) Slope: $\frac{3}{5}$



C) Slope: $-\frac{3}{5}$

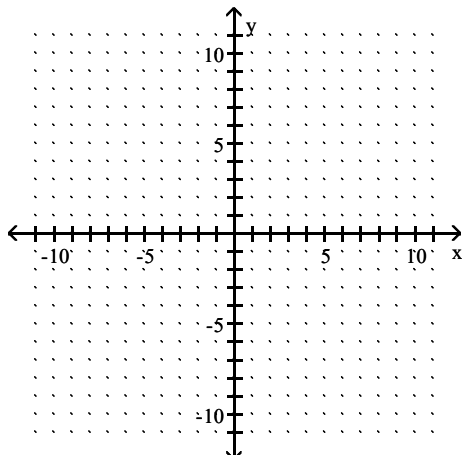


D) Slope: $\frac{5}{3}$

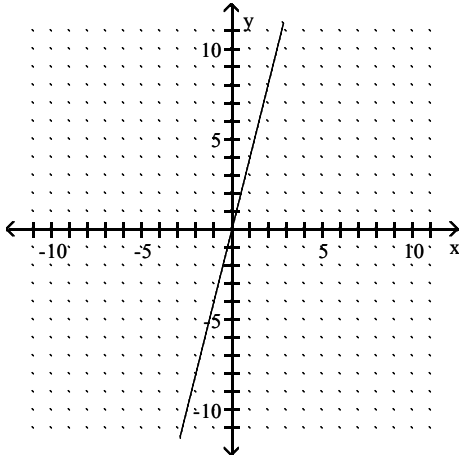


Answer: B

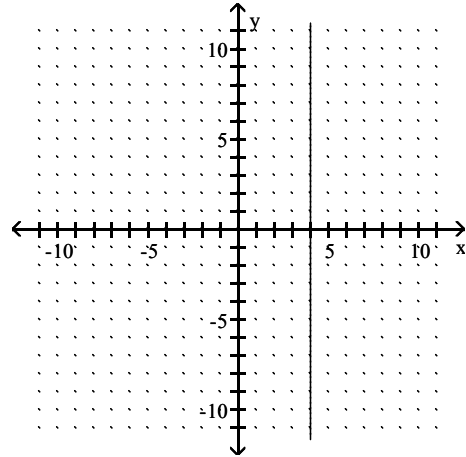
95) $y - 4 = 0$



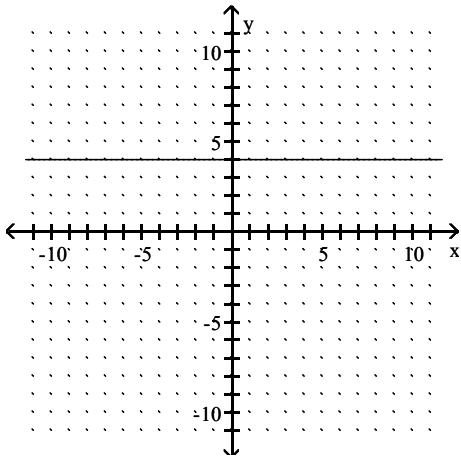
A) Slope: 4



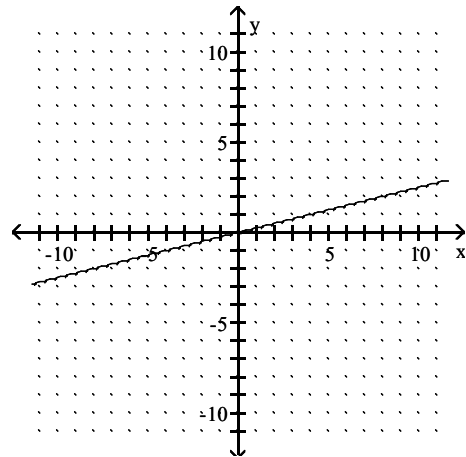
B) Slope: Undefined



C) Slope: 0

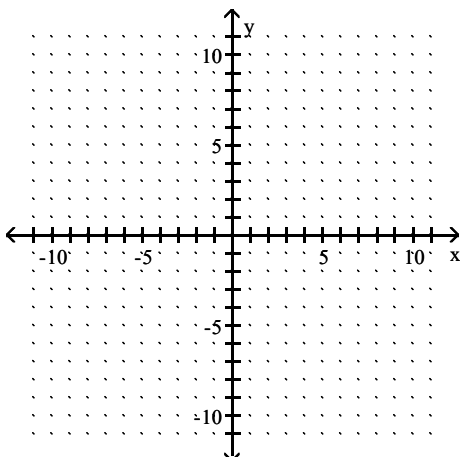


D) Slope: $\frac{1}{4}$

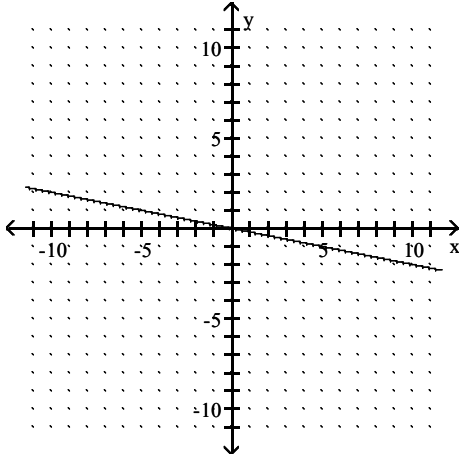


Answer: C

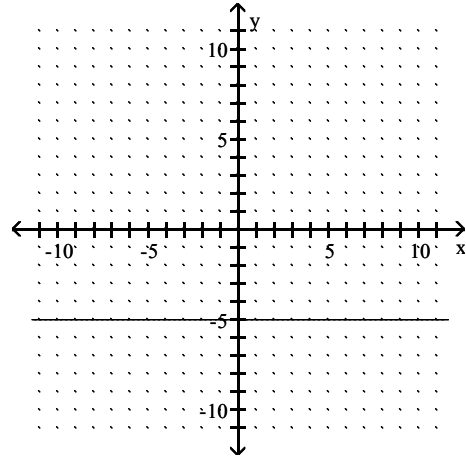
96) $y = -5x$



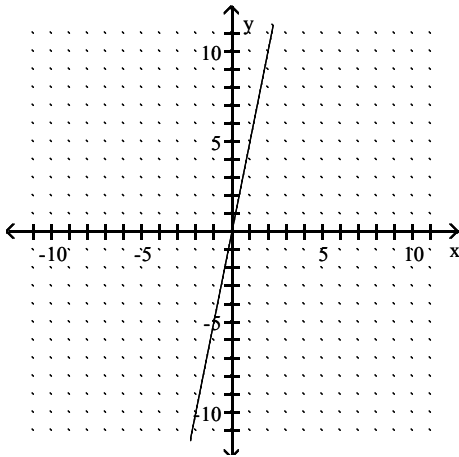
A) Slope: $-\frac{1}{5}$



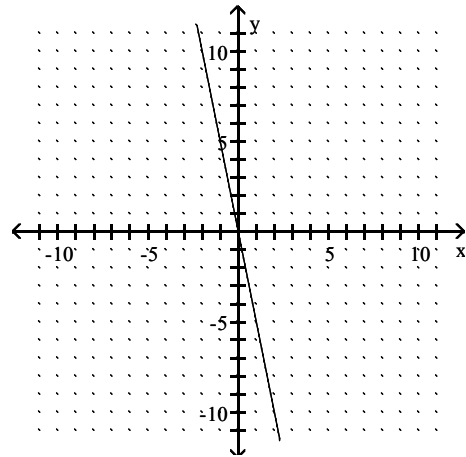
B) Slope: 0



C) Slope: 5

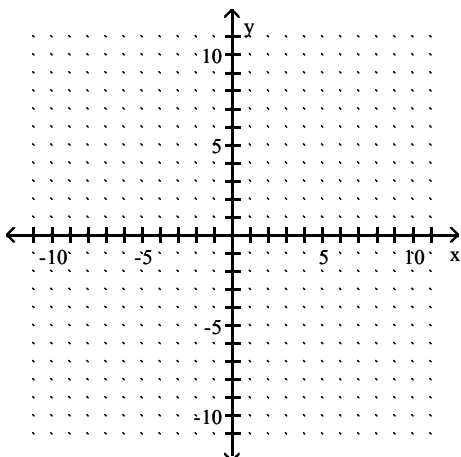


D) Slope: -5

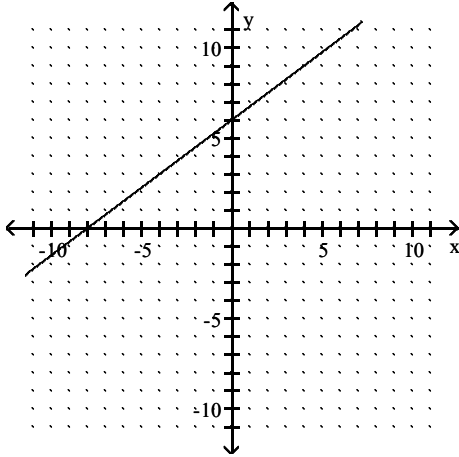


Answer: D

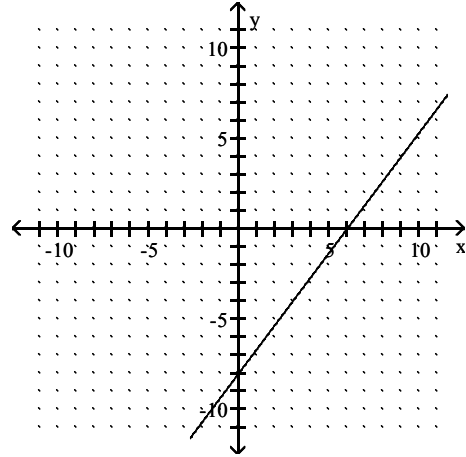
97) $3x - 4y = -24$



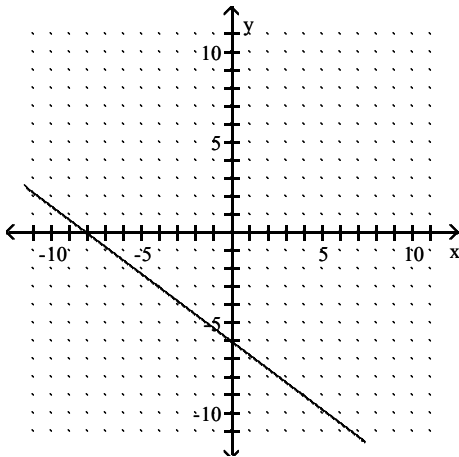
A) Slope: $\frac{3}{4}$



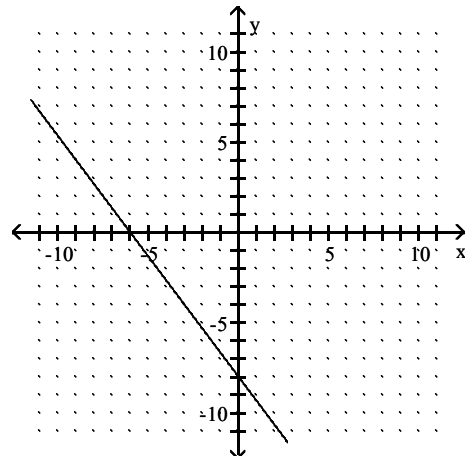
B) Slope: $-\frac{4}{3}$



C) Slope: $-\frac{3}{4}$

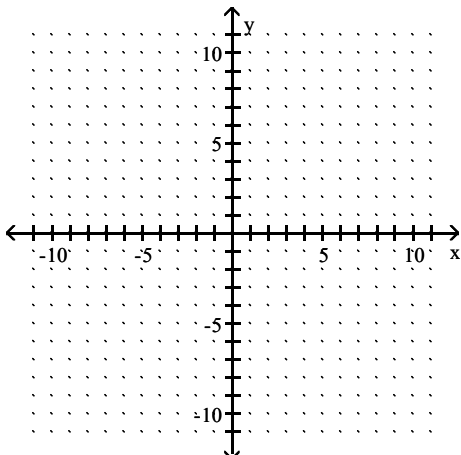


D) Slope: $\frac{4}{3}$

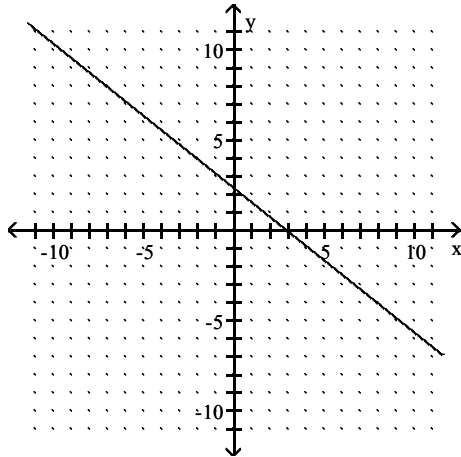


Answer: A

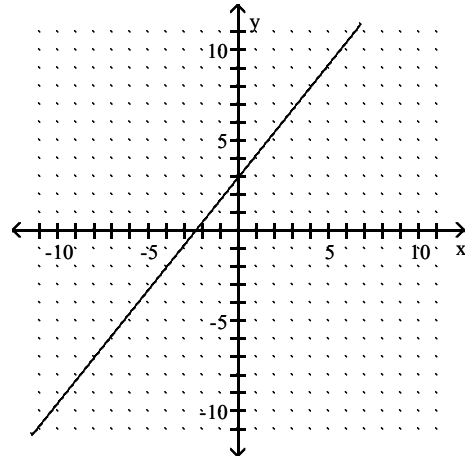
98) $-5y = -4x - 12$



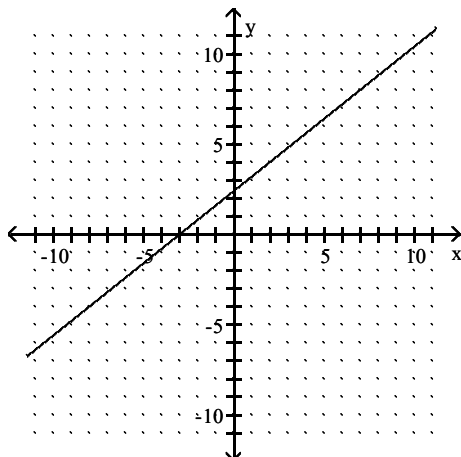
A) Slope: $-\frac{4}{5}$



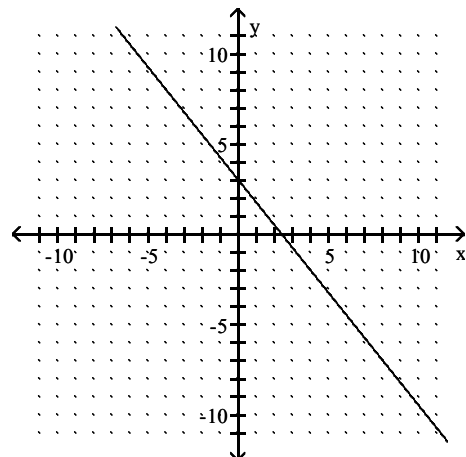
B) Slope: $-\frac{5}{4}$



C) Slope: $\frac{4}{5}$

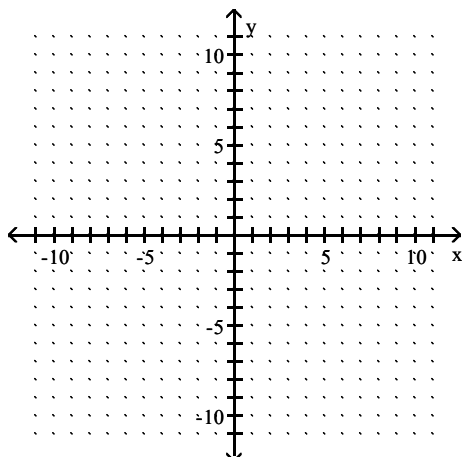


D) Slope: $\frac{5}{4}$

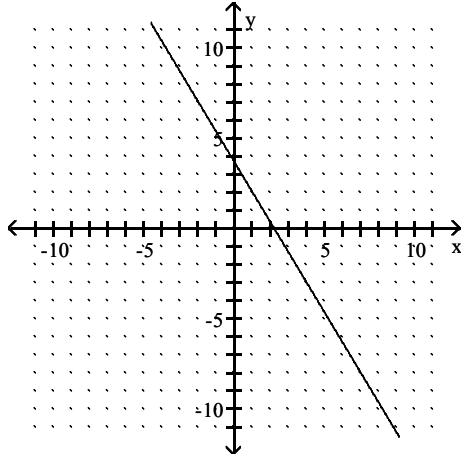


Answer: C

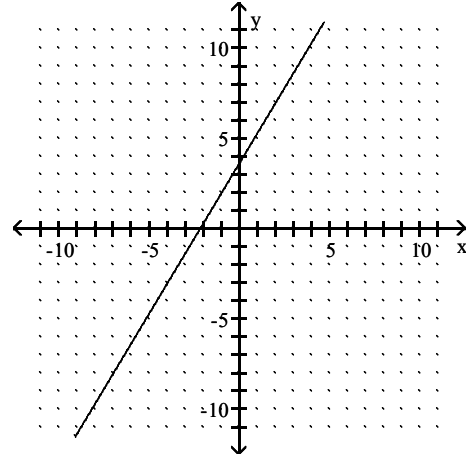
99) $-5y = -3x - 11$



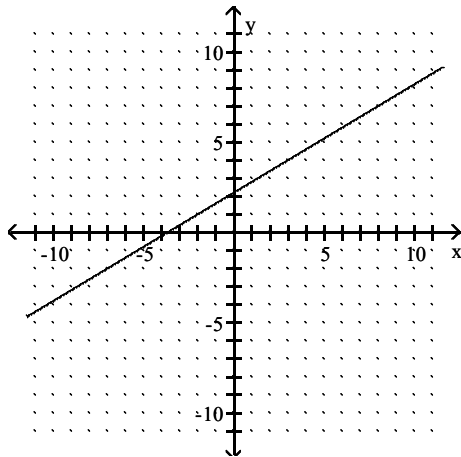
A) Slope: $\frac{5}{3}$



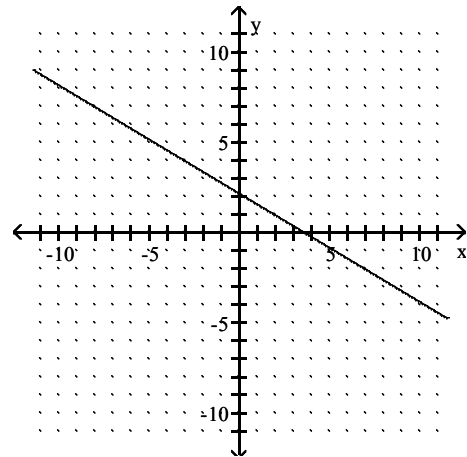
B) Slope: $-\frac{5}{3}$



C) Slope: $\frac{3}{5}$



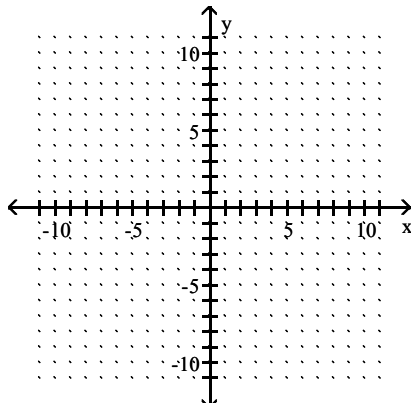
D) Slope: $-\frac{3}{5}$

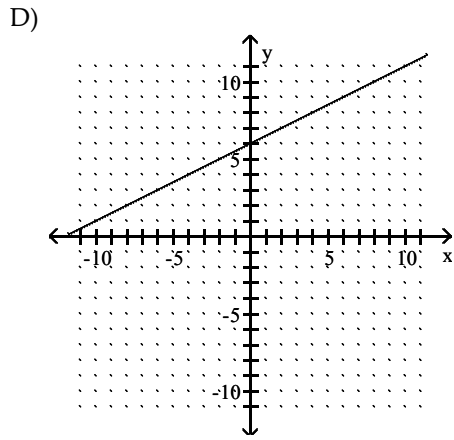
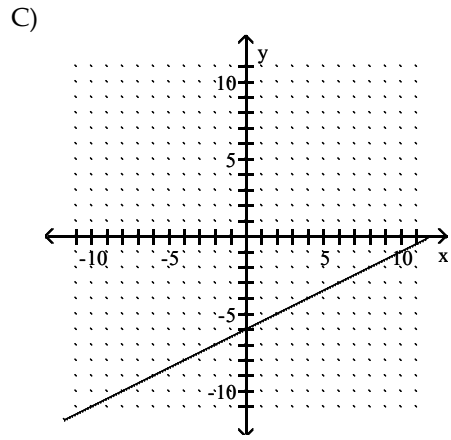
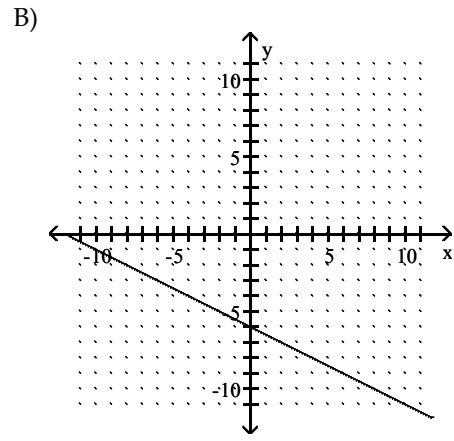
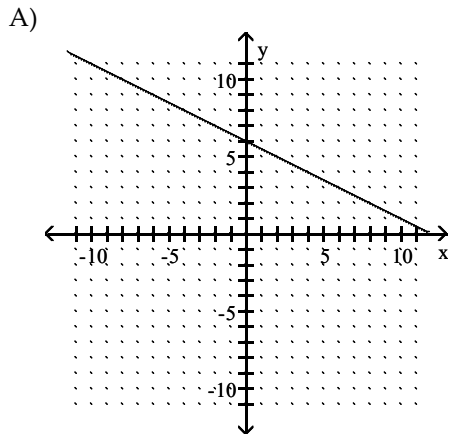


Answer: C

Graph the line described.

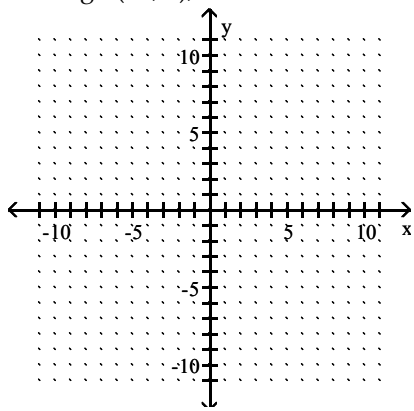
100) Through (0, 6); $m = \frac{1}{2}$



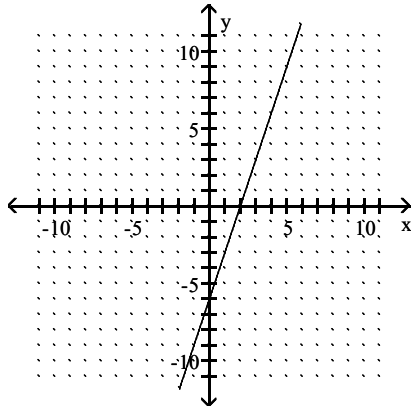


Answer: D

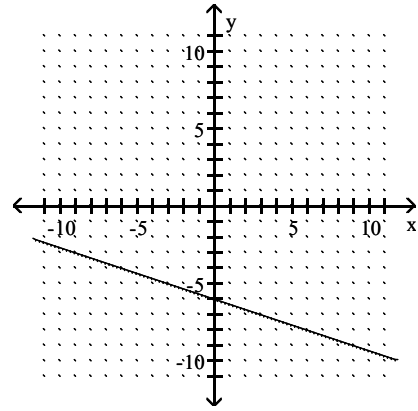
101) Through $(-2, 0)$; $m = 3$



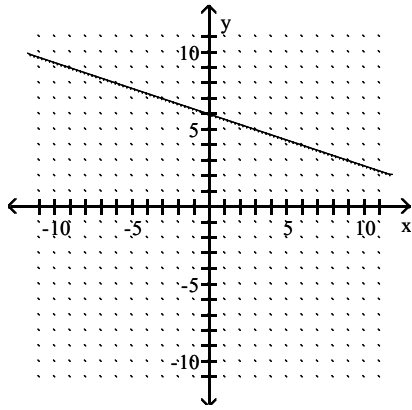
A)



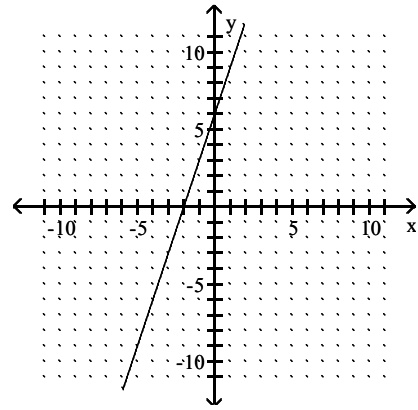
B)



C)

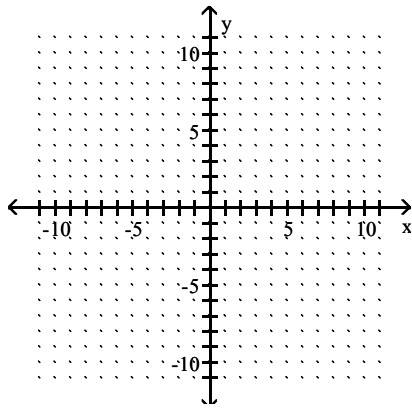


D)

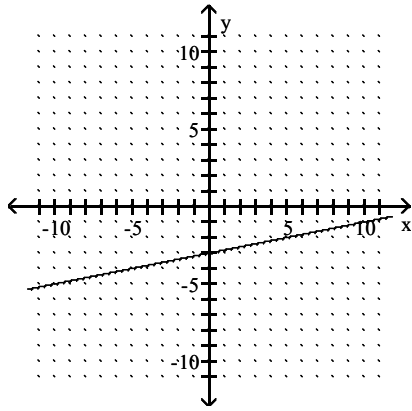


Answer: D

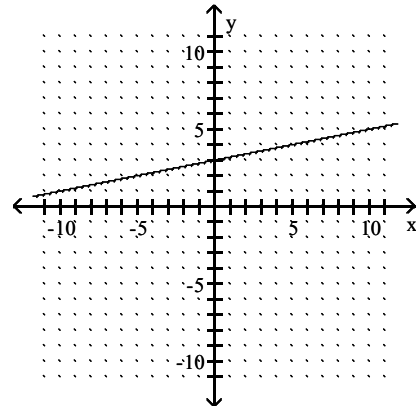
102) Through $(0, 3)$; $m = -5$



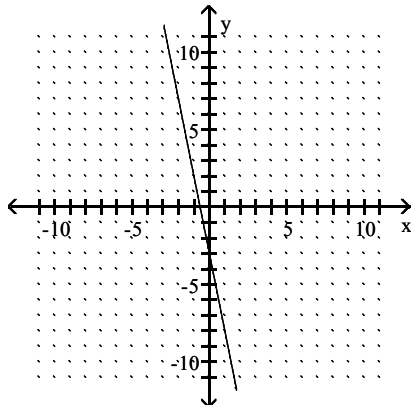
A)



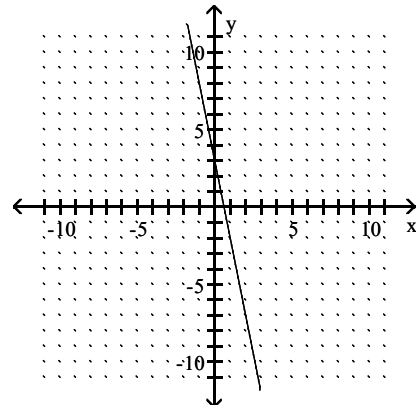
B)



C)

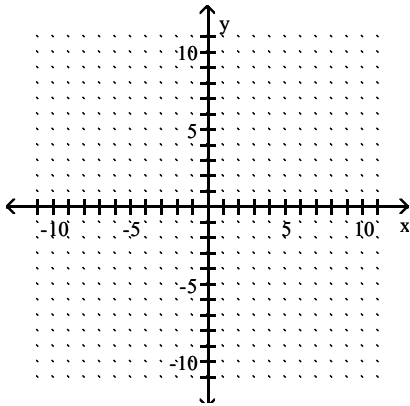


D)

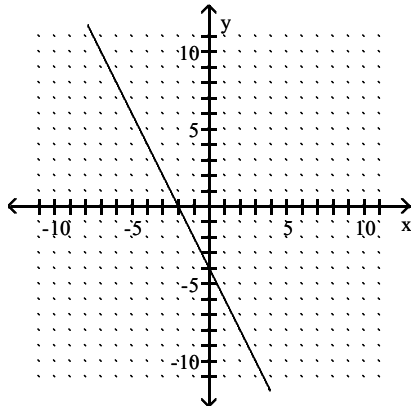


Answer: D

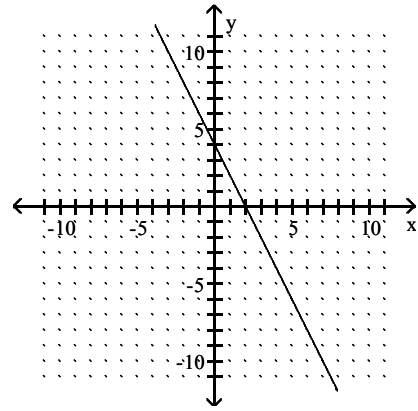
103) Through $(0, 4)$; $m = -\frac{1}{2}$



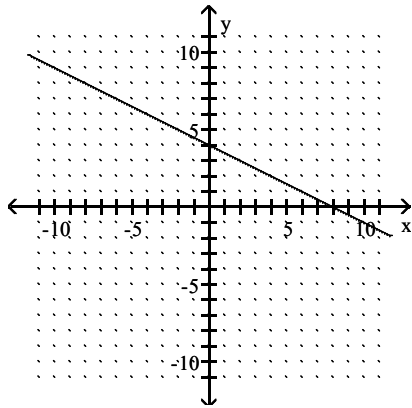
A)



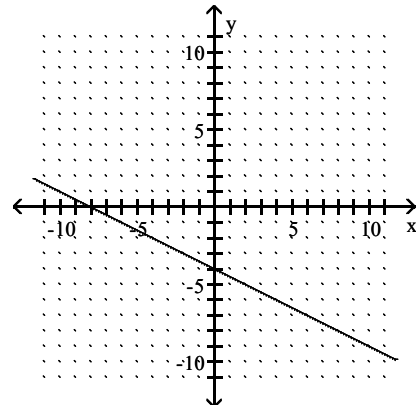
B)



C)

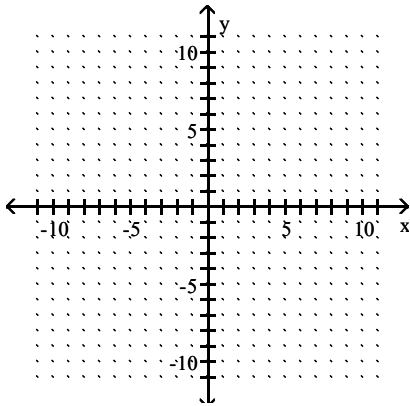


D)

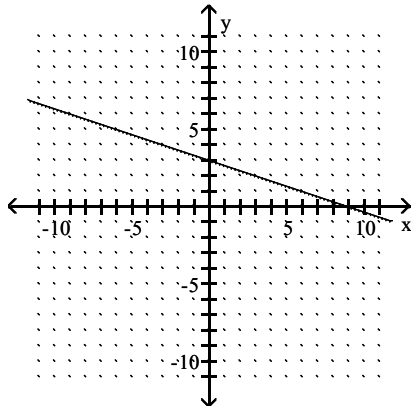


Answer: C

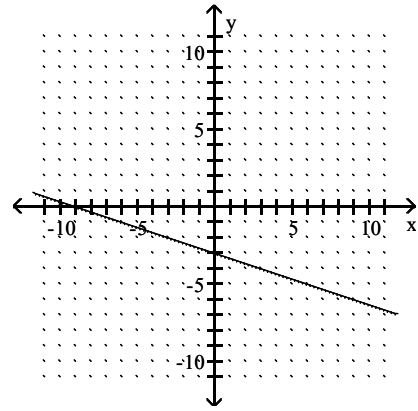
104) Through $(9, 0)$; $m = -\frac{1}{3}$



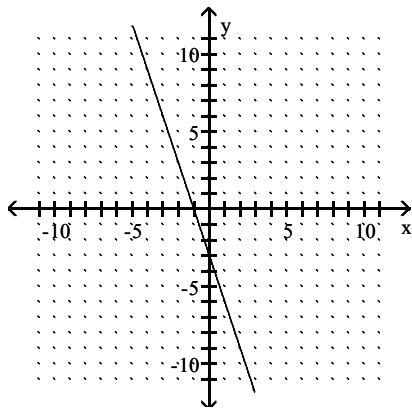
A)



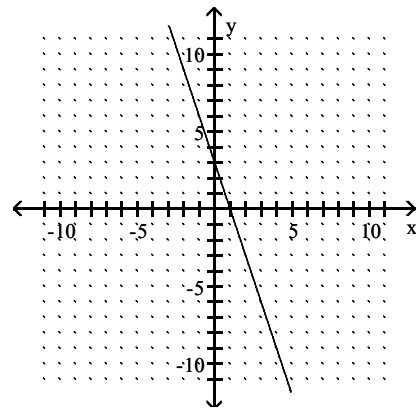
B)



C)

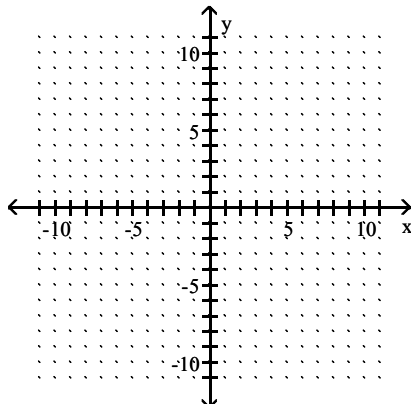


D)

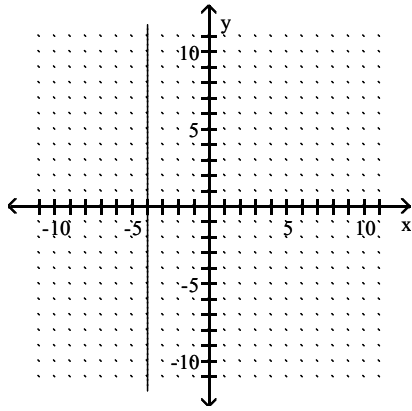


Answer: A

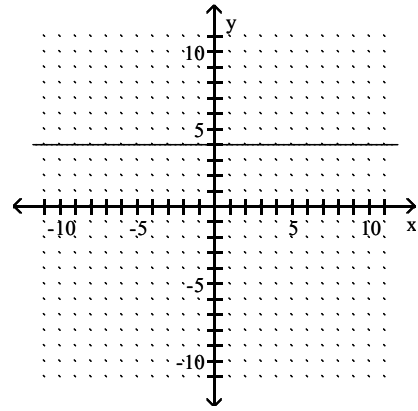
105) Through $(-9, 4)$; $m = 0$



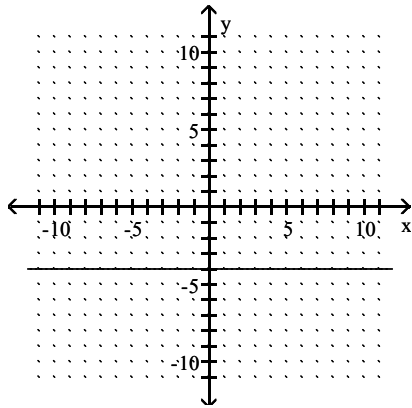
A)



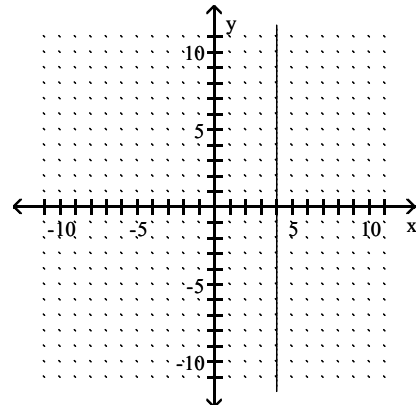
B)



C)

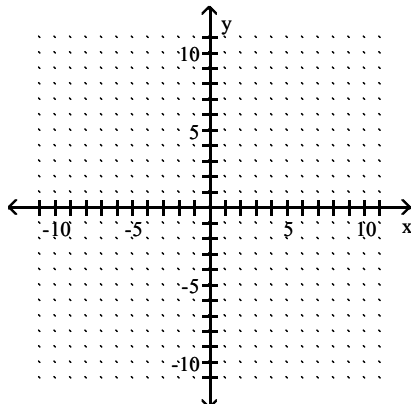


D)

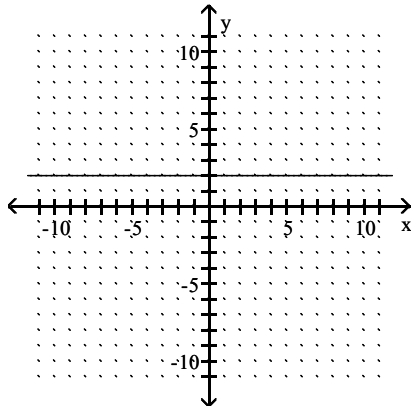


Answer: B

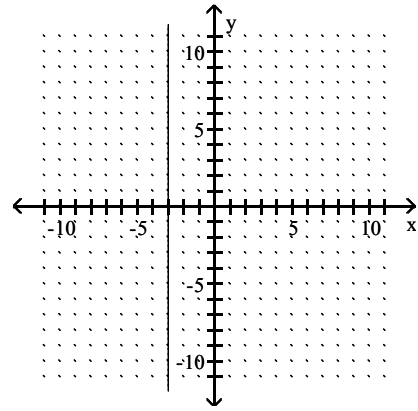
106) $m = 0$; through $(5, 2)$



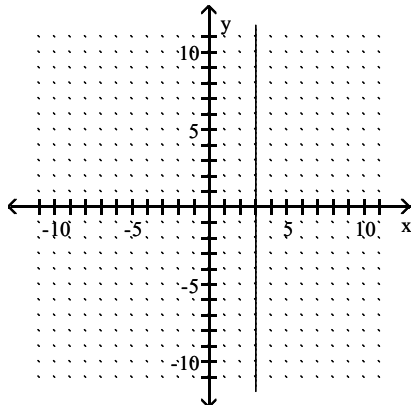
A)



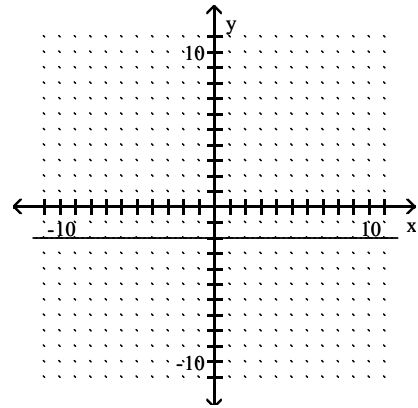
B)



C)

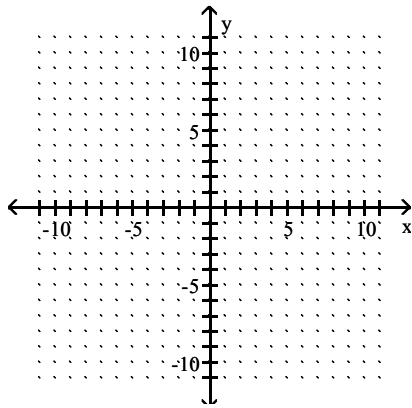


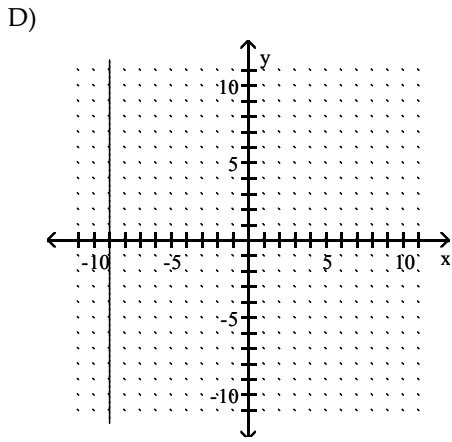
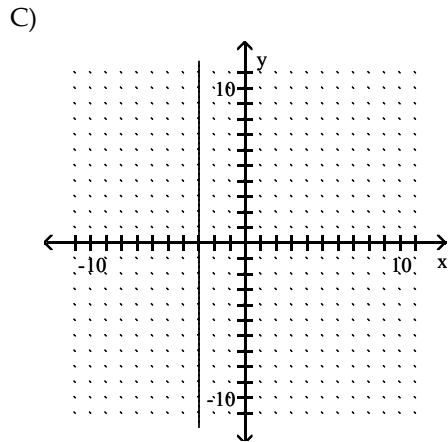
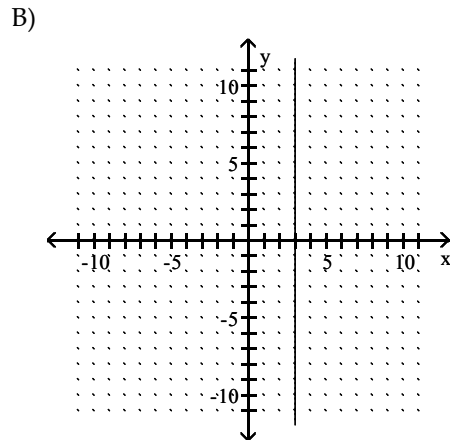
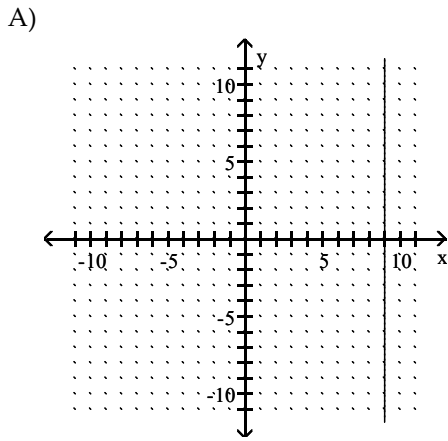
D)



Answer: A

107) Undefined slope; through (3, 9)





Answer: B

Decide whether the pair of lines is parallel, perpendicular, or neither.

108) $3x - 8y = -20$ and $32x + 12y = 11$

A) Parallel

B) Perpendicular

C) Neither

Answer: B

109) $3x - 8y = -10$ and $32x + 12y = 18$

A) Parallel

B) Perpendicular

C) Neither

Answer: B

110) $12x + 4y = 16$ and $6x + 2y = 9$

A) Parallel

B) Perpendicular

C) Neither

Answer: A

111) The line through $(3, -5)$ and $(-1, 7)$ and the line through $(6, -13)$ and $(-2, 11)$

A) Parallel

B) Perpendicular

C) Neither

Answer: A

112) The line through $(-20, 5)$ and $(-4, 7)$ and the line through $(-5, 5)$ and $(7, 4)$

A) Parallel

B) Perpendicular

C) Neither

Answer: C

113) $y + 1 = -4x$ and $4y = 24x - 14$

A) Parallel

B) Perpendicular

C) Neither

Answer: C

114) $y = 7$ and $7 - y = -5$

A) Parallel

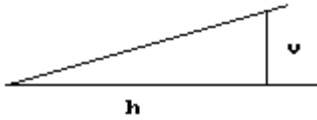
B) Perpendicular

C) Neither

Answer: A

Solve the problem.

115) If the slope of the road shown is $\frac{2}{3}$, find the value for h if $v = 4$ ft.



A) 8 ft

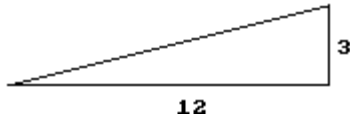
B) 6 ft

C) 4 ft

D) 12 ft

Answer: B

116) For the incline shown below, how many feet in the vertical direction correspond to 3 ft in the horizontal direction?



A) 3 ft

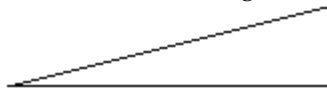
B) 12 ft

C) $\frac{3}{4}$ ft

D) 4 ft

Answer: C

117) A motorcycle daredevil is planning a stunt to perform at a county fair. A ramp must be built to give him a 20% grade, or slope. If the vertical height at the end of the ramp must be 19 ft to assure that the stunt is a success, what must be the length of the horizontal run?



A) 3.42 ft

B) 19 ft

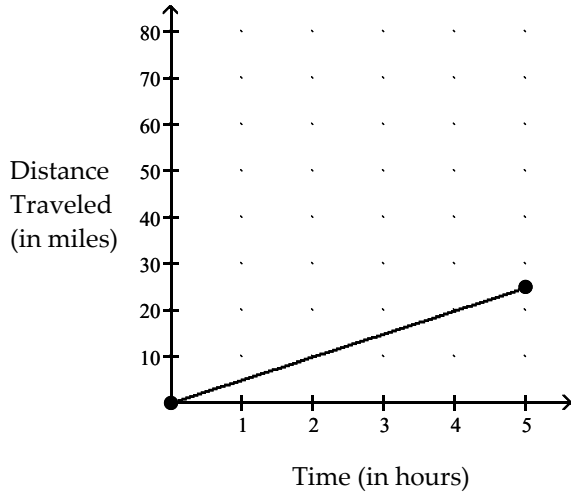
C) 342 ft

D) 95 ft

Answer: D

Find the average rate of change illustrated in the graph.

118)



A) 25 miles per hour

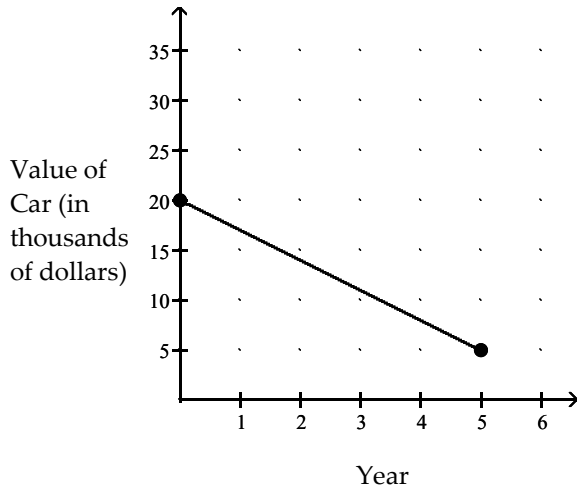
B) 5 miles per hour

C) 2.5 miles per hour

D) .2 miles per hour

Answer: B

119)



A) -\$3000.00 per year

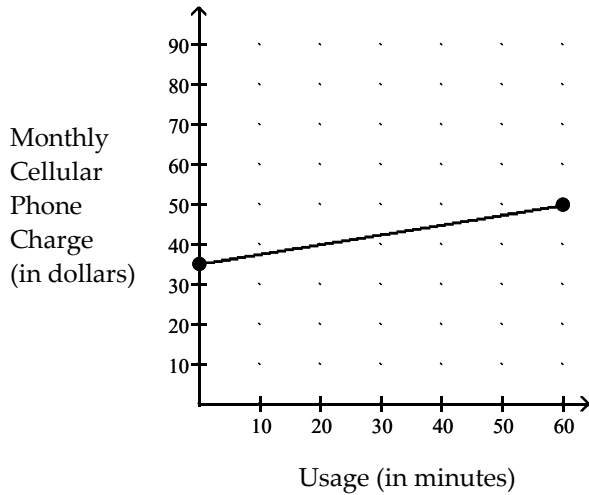
B) \$3000.00 per year

C) \$4000.00 per year

D) -\$4000.00 per year

Answer: A

120)



A) \$2.00 per minute

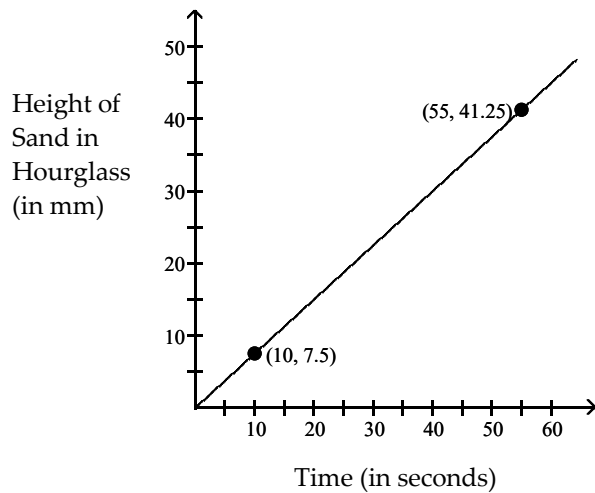
B) \$4.00 per minute

C) \$.50 per minute

D) \$.25 per minute

Answer: D

121)



A) .85 mm per second

B) .75 mm per second

C) 1 mm per second

D) 1.3 mm per second

Answer: B

Solve the problem. Round your answer, as needed.

122) The rate of return of certain investments increases as the risk factor of the investment increases. An investment with a risk factor of 2 has a rate of return of 5.0%. An investment with a risk factor of 24 has a rate of return of 18.0%. What is the average rate of return per unit of risk?

A) 1.19% per unit risk

B) 0.59% per unit risk

C) 1.69% per unit risk

D) 0.84% per unit risk

Answer: B

123) A deep sea diving bell is being lowered at a constant rate. After 9 minutes, the bell is at a depth of 500 ft. After 40 minutes the bell is at a depth of 1900 ft. What is the average rate of lowering per minute?

A) 0.02 ft per minute

B) 35.0 ft per minute

C) 47.5 ft per minute

D) 45.2 ft per minute

Answer: D

124) The table below shows the weight for a calf raised by a local rancher. Use the information to determine the average rate of change in the calf's weight per day.

Calf's Weight	
Day	Weight (in lbs)
1	505
5	525
15	575
25	625
40	700

- A) $\frac{1}{5}$ lb per day B) 5 lbs per day C) 50 lbs per day D) 500 lbs per day

Answer: B

Tell whether the points are the vertices of a parallelogram (that is not a rectangle), a rectangle, or neither.

125) $(-12, -10), (-10, 0), (3, 7), (1, -3)$

- A) Neither B) Parallelogram C) Rectangle

Answer: B

126) $(-10, -4), (-1, -18), (13, -9), (4, 5)$

- A) Parallelogram B) Rectangle C) Neither

Answer: B

127) $(-10, -6), (-8, 4), (7, 9), (4, 1)$

- A) Parallelogram B) Neither C) Rectangle

Answer: B

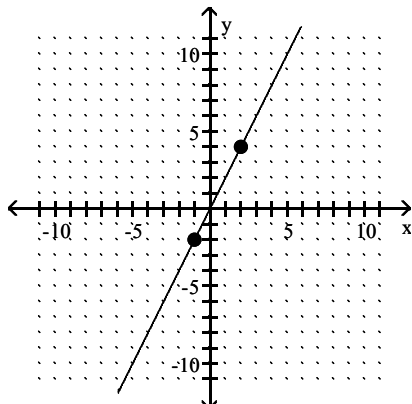
128) $(-7, -1), (2, -10), (16, -3), (7, 8)$

- A) Rectangle B) Neither C) Parallelogram

Answer: B

Provide an appropriate response.

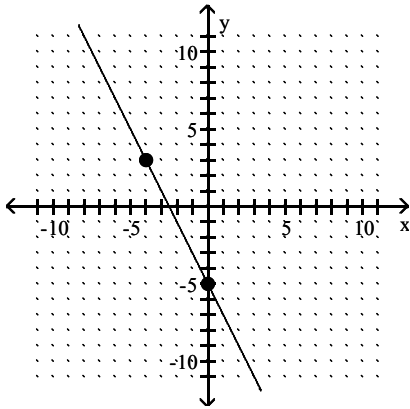
129) Identify whether the slope is positive, negative, zero, or undefined.



- A) Negative B) Positive C) Zero D) Undefined

Answer: B

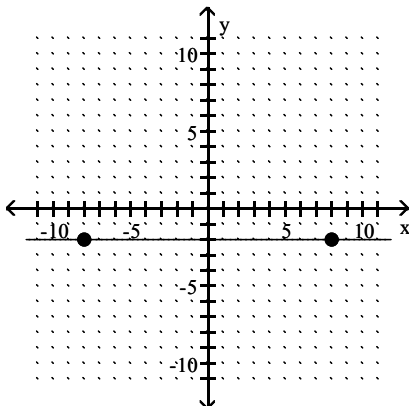
130) Identify whether the slope is positive, negative, zero, or undefined.



- A) Negative B) Undefined C) Zero D) Positive

Answer: A

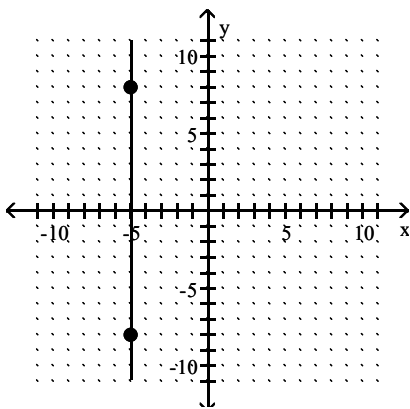
131) Identify whether the slope is positive, negative, zero, or undefined.



- A) Positive B) Undefined C) Zero D) Negative

Answer: C

132) Identify whether the slope is positive, negative, zero, or undefined.



- A) Undefined B) Positive C) Negative D) Zero

Answer: A

SHORT ANSWER. Write the word or phrase that best completes each statement or answers the question.

133) Give a definition or an example of the word or phrase: Zero slope

Answer: An equation such as $by + c = 0$ has a slope of zero. (Answers may vary.)

134) Why is the slope of a horizontal line equal to zero? Give an example.

Answer: Answers may vary. One possibility: The slope of a horizontal line is equal to zero because the y-values do not change as the x-values change. For example, the points (3, 4) and (7, 4) are two points on a horizontal line. The slope of this line is zero because $m = \frac{4 - 4}{7 - 3} = \frac{0}{4} = 0$.

135) Explain what is wrong with the statement "The line has no slope."

Answer: Answers may vary. One possibility: It is not specific enough. The slope of a horizontal line is 0, while the slope of a vertical line is undefined.

136) Why is the slope of a vertical line undefined?

Answer: Answers may vary. One possibility: Let (a, b) and (a, c), $b \neq c$, be any two different points on a vertical line. The slope of the line = $\frac{y_1 - y_2}{x_1 - x_2} = \frac{b - c}{a - a} = \frac{b - c}{0}$. Division by zero is undefined.

137) Explain why the order in which coordinates are subtracted to find slope does not matter as long as x-coordinates are subtracted in the same order as y-coordinates.

Answer: Answers may vary. One possibility: $m = \frac{y_2 - y_1}{x_2 - x_1} = \frac{-1 \cdot (y_2 - y_1)}{-1 \cdot (x_2 - x_1)} = \frac{y_1 - y_2}{x_1 - x_2}$.

138) If one line has a slope of -3 and another line has a slope of -6, which line is steeper? Why?

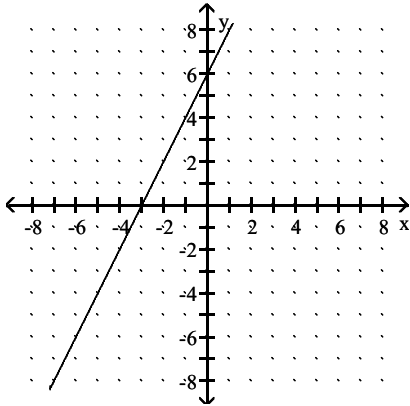
Answer: The line with a slope of -6 is steeper, because the larger the absolute value of the slope, the steeper the line. (Explanations will vary.)

MULTIPLE CHOICE. Choose the one alternative that best completes the statement or answers the question.

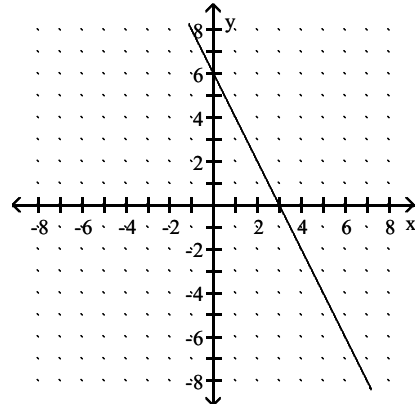
Choose the graph that matches the equation.

139) $y = 2x + 6$

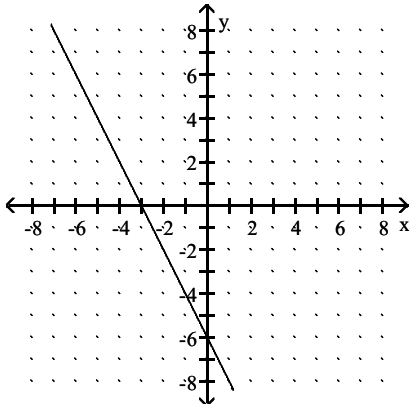
A)



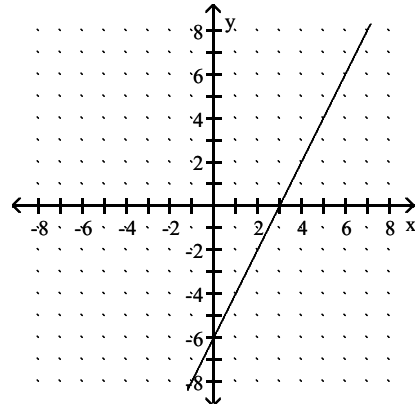
B)



C)



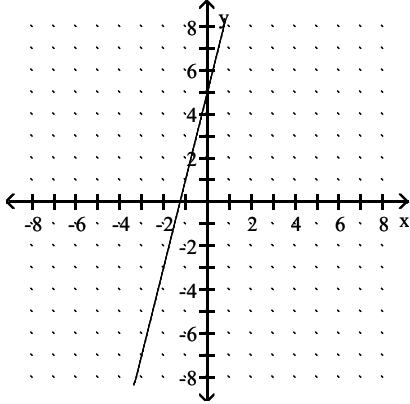
D)



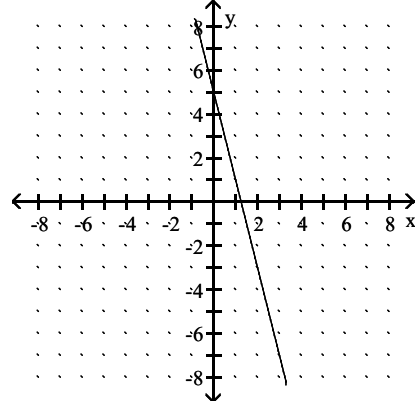
Answer: A

140) $y = 4x - 5$

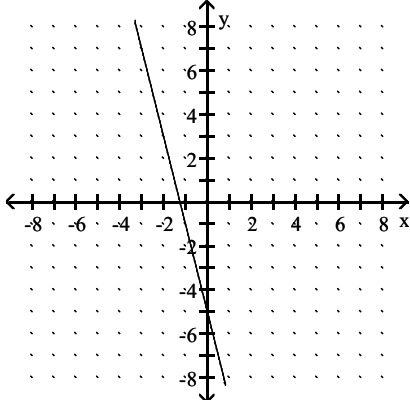
A)



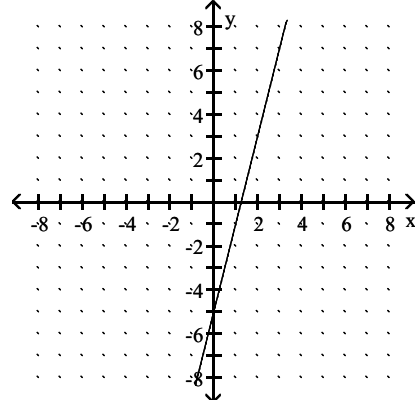
B)



C)



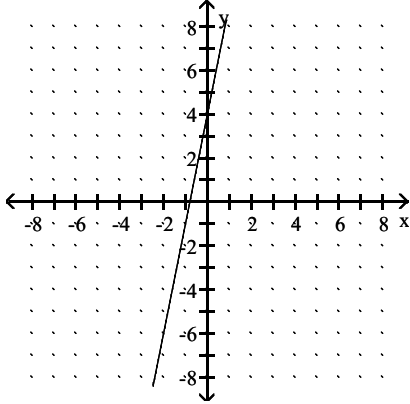
D)



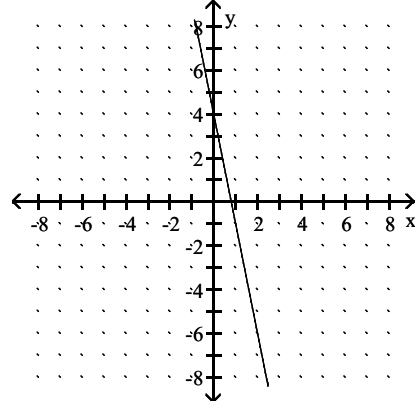
Answer: D

141) $y = -5x + 4$

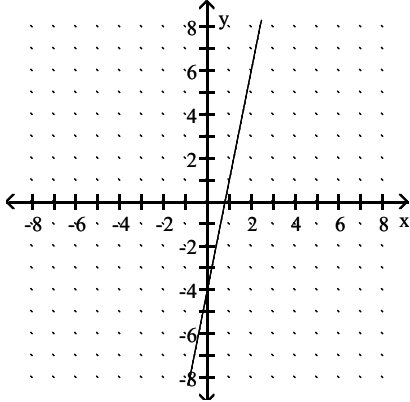
A)



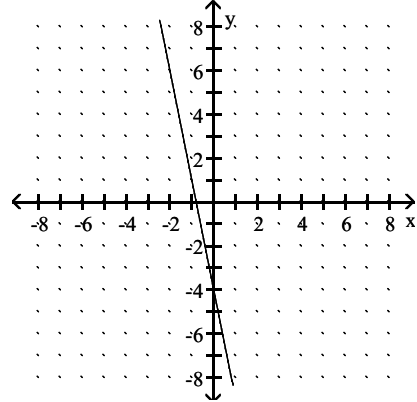
B)



C)



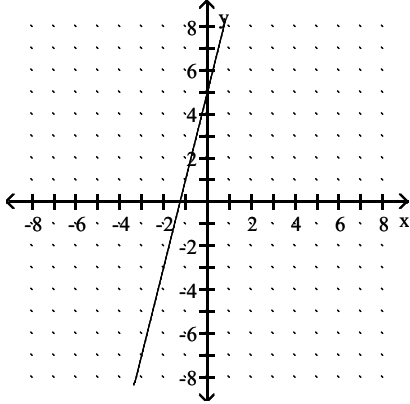
D)



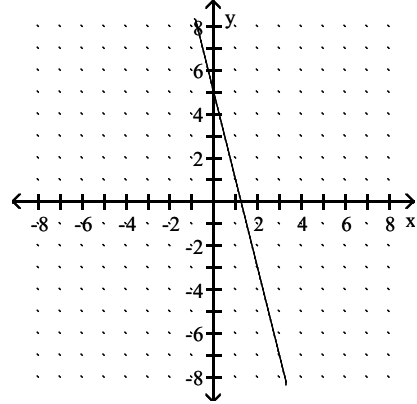
Answer: B

142) $y = -4x - 5$

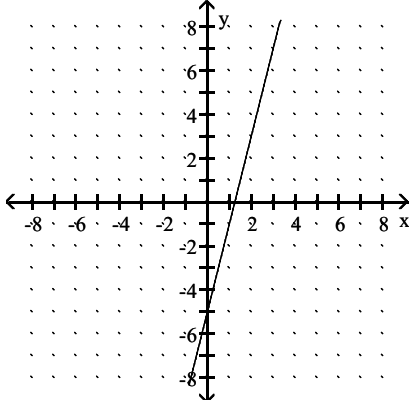
A)



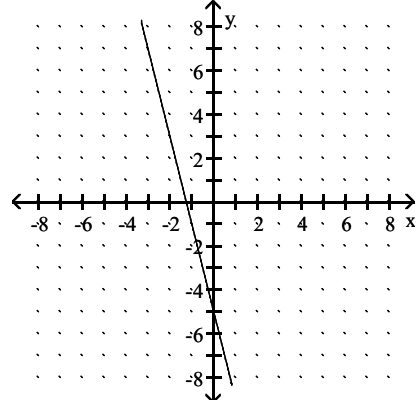
B)



C)



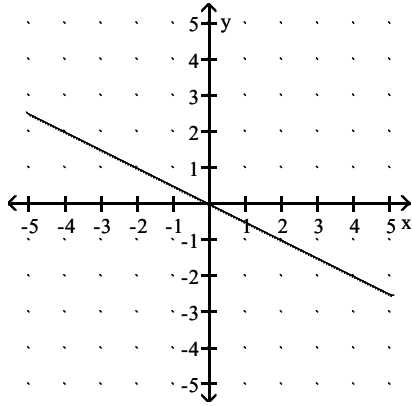
D)



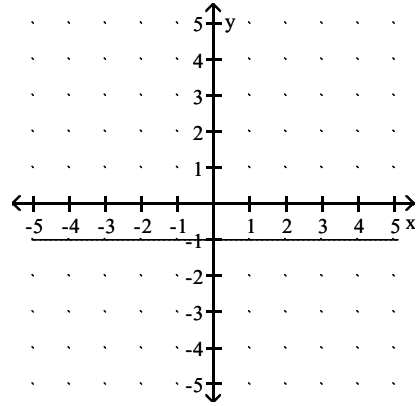
Answer: D

143) $y = -2x$

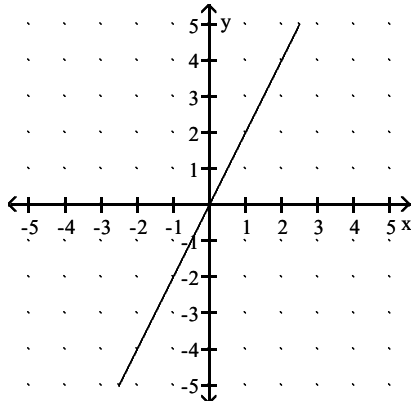
A)



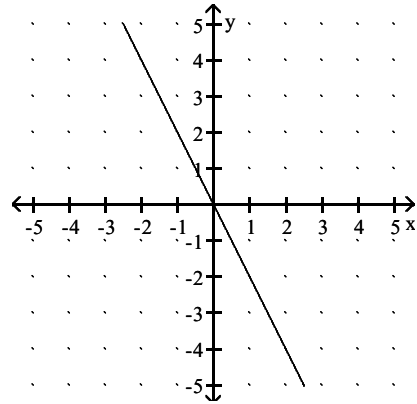
B)



C)



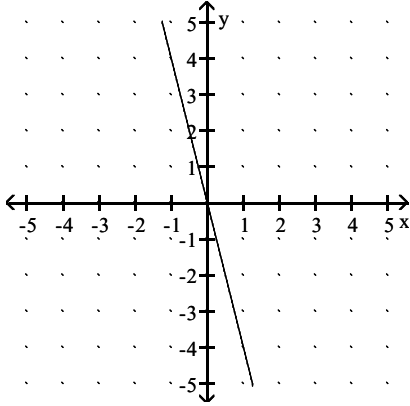
D)



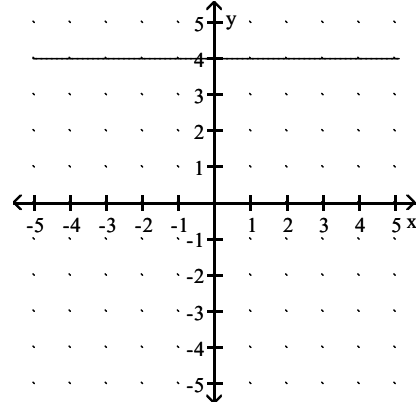
Answer: D

144) $y = -4$

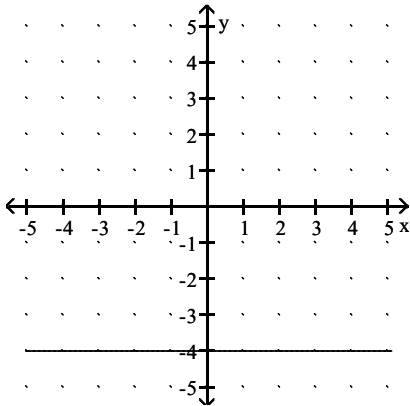
A)



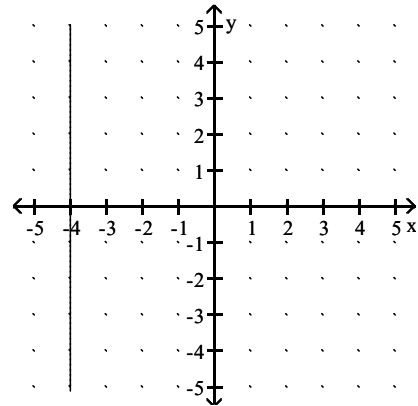
B)



C)



D)



Answer: C

Find the equation in slope-intercept form of the line satisfying the conditions.

145) $m = 2$, passes through $(5, -7)$

A) $y = 2x - 17$

B) $y = 2x + 16$

C) $y = 2x - 15$

D) $y = 3x + 18$

Answer: A

146) $m = -9$, passes through $(-8, 4)$

A) $y = -9x - 68$

B) $y = -9x + 75$

C) $9x + y = 68$

D) $y = 9x - 66$

Answer: A

147) $m = -\frac{4}{3}$; y-intercept $\left(0, \frac{26}{3}\right)$

A) $y = -\frac{4}{3}x + \frac{26}{3}$

B) $y = \frac{4}{3}x + \frac{26}{3}$

C) $y = -\frac{4}{3}x - \frac{26}{3}$

D) $y = \frac{4}{3}x - \frac{26}{3}$

Answer: A

148) $m = -\frac{3}{2}$; y-intercept $(0, 8)$

A) $y = \frac{3}{2}x - 8$

B) $y = \frac{3}{2}x + 8$

C) $y = -\frac{3}{2}x + 8$

D) $y = -\frac{3}{2}x - 8$

Answer: C

149) $m = \frac{6}{5}$; y-intercept (0, -1)

A) $y = -\frac{6}{5}x - 1$

B) $y = \frac{6}{5}x + 1$

C) $y = -\frac{6}{5}x + 1$

D) $y = \frac{6}{5}x - 1$

Answer: D

150) $m = \frac{1}{3}$; through (0, 1)

A) $y = -\frac{1}{3}x + 1$

B) $y = \frac{1}{3}x - 1$

C) $y = \frac{1}{3}x + 1$

D) $y = -\frac{1}{3}x - 1$

Answer: C

151) $m = \frac{7}{2}$; through (0, -2)

A) $y = -\frac{7}{2}x + 2$

B) $y = -\frac{7}{2}x - 2$

C) $y = \frac{7}{2}x - 2$

D) $y = \frac{7}{2}x + 2$

Answer: C

152) Slope 1; y-intercept (0, -4)

A) $y = -4x + 1$

B) $y = x - 4$

C) $y = -4x$

D) $x + y = -4$

Answer: B

153) Slope -1; y-intercept (0, 2)

A) $-x + y = 2$

B) $y = -x + 2$

C) $y = 2x$

D) $y = 2x - 1$

Answer: B

154) Slope $-\frac{8}{9}$; $b = \frac{43}{9}$

A) $y = -\frac{8}{9}x + \frac{43}{9}$

B) $y = \frac{8}{9}x - \frac{43}{9}$

C) $y = \frac{8}{9}x + \frac{43}{9}$

D) $y = -\frac{8}{9}x - \frac{43}{9}$

Answer: A

155) Slope $-\frac{4}{7}$; $b = 3$

A) $y = \frac{4}{7}x + 3$

B) $y = \frac{4}{7}x - 3$

C) $y = -\frac{4}{7}x + 3$

D) $y = -\frac{4}{7}x - 3$

Answer: C

156) Slope $-\frac{7}{8}$; $b = 3$

A) $y = \frac{7}{8}x - 3$

B) $y = -\frac{7}{8}x - 3$

C) $y = \frac{7}{8}x + 3$

D) $y = -\frac{7}{8}x + 3$

Answer: D

Write the equation in slope-intercept form.

157) $10x + 6y = 6$

A) $y = -\frac{5}{3}x + 1$

B) $y = \frac{5}{3}x + 1$

C) $y = \frac{5}{3}x - 1$

D) $y = 10x - 6$

Answer: A

158) $2x - 7y = 3$

A) $y = 2x - 3$

B) $y = \frac{7}{2}x + \frac{3}{2}$

C) $y = \frac{2}{7}x - \frac{3}{7}$

D) $y = \frac{2}{7}x + \frac{3}{7}$

Answer: C

159) $x - 2y = 6$

A) $y = x - 3$

B) $y = \frac{1}{2}x - 6$

C) $y = \frac{1}{2}x - 3$

D) $y = 2x - 6$

Answer: C

160) $3x - 10y = -6$

A) $y = -\frac{3}{10}x + \frac{3}{5}$

B) $y = \frac{3}{10}x + \frac{3}{5}$

C) $y = 3x + 11$

D) $y = \frac{10}{3}x - 2$

Answer: B

161) $-x + 3y = 5$

A) $y = -\frac{1}{3}x + \frac{5}{3}$

B) $y = \frac{1}{3}x + \frac{5}{3}$

C) $y = \frac{1}{3}x - 5$

D) $y = x - \frac{5}{3}$

Answer: B

162) $-4x + 6y = 8$

A) $y = \frac{3}{2}x + 2$

B) $y = 4x - 8$

C) $y = \frac{2}{3}x + \frac{4}{3}$

D) $y = \frac{2}{3}x - \frac{4}{3}$

Answer: C

Find the slope and the y-intercept of the line.

163) $7x + 2y = 43$

A) Slope $\frac{2}{7}$; y-intercept $\left(0, \frac{2}{43}\right)$

B) Slope $-\frac{7}{2}$; y-intercept $\left(0, \frac{43}{2}\right)$

C) Slope $-\frac{2}{7}$; y-intercept $\left(0, \frac{2}{43}\right)$

D) Slope $\frac{7}{2}$; y-intercept $\left(0, \frac{43}{2}\right)$

Answer: B

164) $8x + 9y = 68$

A) Slope $\frac{9}{8}$; y-intercept $\left(0, \frac{9}{68}\right)$

B) Slope $\frac{8}{9}$; y-intercept $\left(0, \frac{68}{9}\right)$

C) Slope $-\frac{9}{8}$; y-intercept $\left(0, \frac{9}{68}\right)$

D) Slope $-\frac{8}{9}$; y-intercept $\left(0, \frac{68}{9}\right)$

Answer: D

165) $4x - 5y = 5$

A) Slope -1 ; y-intercept $(0, -1)$

B) Slope 1 ; y-intercept $(0, 1)$

C) Slope $-\frac{4}{5}$; y-intercept $(0, 1)$

D) Slope $\frac{4}{5}$; y-intercept $(0, -1)$

Answer: D

166) $6x - 9y = -9$

A) Slope $\frac{2}{3}$; y-intercept $(0, 1)$

B) Slope $\frac{3}{2}$; y-intercept $(0, -1)$

C) Slope $-\frac{2}{3}$; y-intercept $(0, -1)$

D) Slope $-\frac{3}{2}$; y-intercept $(0, 1)$

Answer: A

167) $-x + 2y = 4$

A) Slope $\frac{1}{2}$; y-intercept $(0, 4)$

B) Slope -1 ; y-intercept $(0, 2)$

C) Slope $\frac{1}{2}$; y-intercept $(0, 2)$

D) Slope $-\frac{1}{2}$; y-intercept $(0, 2)$

Answer: C

168) $-5x + 2y = 1$

A) Slope $\frac{2}{5}$; y-intercept $(0, \frac{1}{5})$

B) Slope $\frac{5}{2}$; y-intercept $(0, -\frac{1}{2})$

C) Slope $\frac{5}{2}$; y-intercept $(0, \frac{1}{2})$

D) Slope 5 ; y-intercept $(0, -1)$

Answer: C

Find an equation of the line that satisfies the conditions. Write the equation in standard form.

169) Through $(5, 3)$; $m = -\frac{2}{3}$

A) $2x + 3y = -19$

B) $3x + 2y = -19$

C) $2x + 3y = 19$

D) $2x - 3y = 19$

Answer: C

170) Through $(0, 5)$; $m = -\frac{2}{5}$

A) $2x + 5y = -25$

B) $2x + 5y = 25$

C) $2x - 5y = 25$

D) $5x + 2y = -25$

Answer: B

171) Through $(0, 6)$; $m = \frac{6}{7}$

A) $6x - 7y = 42$

B) $7x - 6y = -42$

C) $6x + 7y = -42$

D) $6x - 7y = -42$

Answer: D

172) Through $(0, 5)$; $m = \frac{7}{9}$

A) $7x - 9y = -45$

B) $9x - 7y = -45$

C) $7x + 9y = -45$

D) $7x - 9y = 45$

Answer: A

173) Through $(-10, 8)$; $m = 0$

A) $x = -8$

B) $x = -10$

C) $y = 10$

D) $y = 8$

Answer: D

174) Through $(-3, 5)$; horizontal

A) $x = -5$

B) $y = 5$

C) $y = 3$

D) $x = -3$

Answer: B

175) x-intercept $(9, 0)$; $m = 4$

A) $4x + y = 9$

B) $4x - y = 36$

C) $9x + y = 4$

D) $-9x + y = 4$

Answer: B

176) x-intercept $(4, 0)$; $m = -8$

A) $8x - y = -4$

B) $-4x + y = -8$

C) $4x + y = -8$

D) $8x + y = 32$

Answer: D

177) Through $(7, -6)$; undefined slope

A) $y = 7$

B) $x = 7$

C) $y = -6$

D) $x = -6$

Answer: B

178) Through $\left(\frac{1}{5}, \frac{2}{5}\right)$; vertical

A) $y = \frac{2}{5}$

B) $x = \frac{1}{5}$

C) $x = \frac{2}{5}$

D) $y = \frac{1}{5}$

Answer: B

Find an equation of the line passing through the two points. Write the equation in standard form.

179) $(3, -4)$ and $(0, 3)$

A) $-7x + 3y = 9$

B) $7x + 3y = 9$

C) $-7x + 3y = -9$

D) $7x - 3y = -9$

Answer: B

180) $(-6, 0)$ and $(-2, 5)$

A) $-6x - 7y = -47$

B) $-5x - 4y = -30$

C) $6x + 7y = -47$

D) $5x - 4y = -30$

Answer: D

181) $(6, -9)$ and $(-5, 9)$

A) $18x + 11y = 9$

B) $-15x + 14y = -51$

C) $15x - 14y = -51$

D) $-18x + 11y = 9$

Answer: A

182) $(-8, -2)$ and $(3, 1)$

A) $6x - 2y = 20$

B) $3x - 11y = -2$

C) $-3x - 11y = -2$

D) $-6x + 2y = 20$

Answer: B

183) $(10, 9)$ and $(10, 1)$

A) $y = 9$

B) $x + y = 11$

C) $x = 10$

D) $x + y = 19$

Answer: C

184) $(-2, 6)$ and $(-1, 6)$

A) $y = 6$

B) $-2x - y = 0$

C) $x = -2$

D) $-x - 2y = 0$

Answer: A

185) $\left(\frac{3}{4}, \frac{5}{4}\right)$ and $\left(\frac{1}{3}, \frac{2}{3}\right)$

A) $7x - 5y = -1$

B) $-5x - 7y = -1$

C) $-5x + 7y = -1$

D) $-\frac{7}{5}x + y = \frac{1}{5}$

Answer: A

Find an equation of the line satisfying the conditions. Write the equation in slope-intercept form.

186) Through $(-6, 5)$; parallel to $-7x + 5y = 57$

A) $y = \frac{5}{7}x + \frac{30}{7}$

B) $y = -\frac{7}{5}x - \frac{67}{5}$

C) $y = \frac{7}{5}x + \frac{67}{5}$

D) $y = -\frac{5}{7}x - \frac{30}{7}$

Answer: C

187) Through $(-6, 7)$; parallel to $3x + 7y = 3$

A) $y = -\frac{7}{3}x + \frac{7}{3}$

B) $y = \frac{3}{7}x - \frac{31}{7}$

C) $y = -\frac{3}{7}x + \frac{31}{7}$

D) $y = \frac{3}{7}x + \frac{3}{7}$

Answer: C

188) Through $(-3, 8)$; perpendicular to $-3x + 4y = -23$

A) $y = \frac{4}{3}x + 12$

B) $y = -\frac{3}{4}x + \frac{23}{4}$

C) $y = -\frac{4}{3}x + 4$

D) $y = \frac{3}{4}x + \frac{41}{4}$

Answer: C

189) Through $(-5, -2)$; perpendicular to $-5x - 2y = 27$

A) $y = \frac{2}{5}x$

B) $y = -\frac{2}{5}x - 4$

C) $y = -\frac{5}{2}x - \frac{29}{2}$

D) $y = \frac{5}{2}x + \frac{21}{2}$

Answer: A

190) Through $(1, 9)$; perpendicular to $x = 5$

A) $y = 9$

B) $y = -9$

C) $y = 1$

D) $y = -1$

Answer: A

Solve the problem.

191) It costs \$40 per hour plus a flat fee of \$16 for a plumber to make a house call. What is an equation of the form $y = mx + b$ for this situation?

A) $y = 16x$

B) $y = 40x$

C) $y = 16x + 40$

D) $y = 40x + 16$

Answer: D

192) Using a phone card to make a long distance call costs a flat fee of \$0.26 plus \$0.14 per minute starting with the first minute. What is an equation of the form $y = mx + b$ for this situation?

A) $y = 0.14x + 0.26$

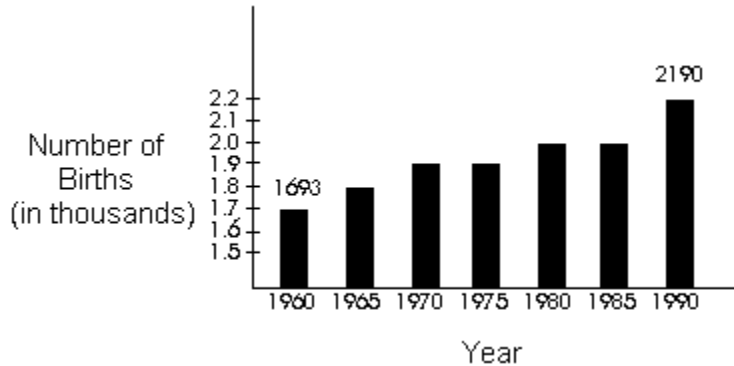
B) $y = 0.26x + 0.14$

C) $y = 0.14x$

D) $y = 0.26x$

Answer: A

- 193) The number of births in County A has been increasing in recent years. Using the information given on the bar graph for the years 1960 and 1990, find an equation to model the number of births y for the year x . Let $x = 0$ correspond to the year 1960.



- A) $y = \frac{1990}{497}x - 2190$ B) $y = \frac{497}{1990}x + 1693$ C) $y = \frac{30}{497}x + \frac{930140}{497}$ D) $y = \frac{497}{30}x + 1693$

Answer: D

- 194) Let x represent the number of pounds of apples sold at \$1.9 per pound, and let y represent the total price paid for the apples. Write an equation for this situation. Then give the ordered pair with an x -value of 6 associated with this equation.

- A) $x = 1.9 + y$; (6, 4.10) B) $y = 1.9 + x$; (6, 7.90)
 C) $x = 1.9y$; (6, 3.16) D) $y = 1.9x$; (6, 11.40)

Answer: D

- 195) Let x represent the number of gallons of gas sold at \$2.40 per gallon, and let y represent the total cost of the gasoline (in dollars). Write an equation for this situation. Then give the ordered pair with an x -value of 13 associated with this equation.

- A) $x = 2.40y$; (13, 5.42) B) $y = 2.40x$; (13, 31.20)
 C) $y = 2.40 + x$; (13, 15.40) D) $x = 2.40 + y$; (13, 10.60)

Answer: B

- 196) It costs \$16 per hour plus a flat fee of \$23 for a plumber to make a house call. Find the total cost to have a plumber come to a house for 5 hours.

- A) \$103 B) \$373 C) \$131 D) \$80

Answer: A

- 197) Using a phone card to make a long distance call costs a flat fee of \$0.25 plus \$0.33 per minute starting with the first minute. Find the total cost of a phone call which lasts 8 minutes.

- A) \$2.33 B) \$2.64 C) \$2.89 D) \$8.08

Answer: C

- 198) It costs \$35 per hour plus a flat fee of \$28 for a plumber to make a house call. Find the number of hours a plumber worked if the total cost was \$343.

- A) 20 B) 9 C) 4 D) 15

Answer: B

- 199) Suppose the sales of a particular brand of appliance satisfy the relationship $S(x) = 210x + 500$, where $S(x)$ represents the number of sales in year x , with $x = 0$ corresponding to 1982. Find the number of sales in 1996.
A) 6880 B) 3440 C) 3230 D) 6670

Answer: B

- 200) The mathematical model $C(x) = 300x + 80,000$ represents the cost in dollars a company has in manufacturing x items during a month. Based on this, how much does it cost to produce 600 items?
A) \$260,000 B) \$180,000 C) \$0.44 D) \$266.67

Answer: A

SHORT ANSWER. Write the word or phrase that best completes each statement or answers the question.

Provide an appropriate response.

- 201) Can an equation of a vertical line be written in slope-intercept form? Explain.

Answer: No. In the slope-intercept form of the equation of a line, x is multiplied by slope; however, the slope of a vertical line is undefined. (Explanations will vary.)

- 202) Can the point-slope form of the equation of a line be used to write an equation of a vertical line? Explain.

Answer: No. In the point-slope form of the equation of a line, $(x - x_1)$ is multiplied by slope, but the slope of a vertical line is undefined. (Explanations will vary.)

- 203) Describe a situation in which it would be more convenient to use the point-slope form of the equation of a line than the slope-intercept form.

Answer: Answers will vary. One possibility: Slope-intercept form works well if you know the slope of the line and the y -intercept. However, point-slope form is more convenient if you know the slope of the line and a point that is not the y -intercept.

- 204) The total number of reported cases of AIDS in the United States has risen from 372 in 1981 to 100,000 in 1989 and 200,000 in 1992. Does a linear equation fit this data? Explain.

Answer: No, the data cannot be modeled by a linear equation because the reported cases are not increasing at a constant rate. Assume a linear equation, and examine the slope of the two line segments. The slope of the segment from $(0, 372)$ to $(8, 100,000)$ is 12,453.5 while the slope of the segment from $(8, 100,000)$ to $(11, 200,000)$ is $33,333.\bar{3}$. (Explanations will vary.)

MULTIPLE CHOICE. Choose the one alternative that best completes the statement or answers the question.

The boundary of the graph of the linear inequality will be a _____ line, and the shading will be _____ the line. Fill in the first blank with either solid or dashed. Fill in the second blank with above or below.

205) $y < x + \frac{3}{4}$

- A) dashed; below B) solid; below C) dashed; above D) solid; above

Answer: A

206) $y > -3x + 1$

- A) solid; above B) solid; below C) dashed; below D) dashed; above

Answer: D

$$207) y \geq -\frac{2}{3}x + \frac{2}{7}$$

A) solid; above

B) solid; below

C) dashed; below

D) dashed; above

Answer: A

$$208) y \leq 3x - \frac{7}{9}$$

A) solid; below

B) solid; above

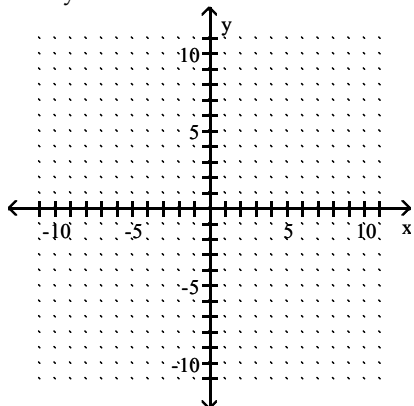
C) dashed; below

D) dashed; above

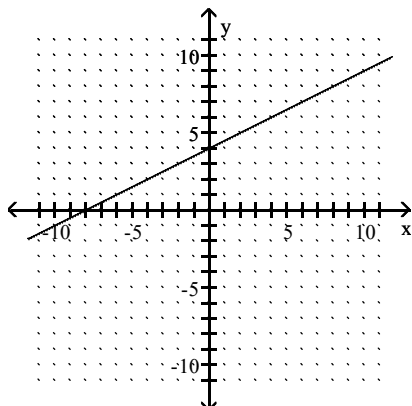
Answer: A

Graph the linear inequality in two variables.

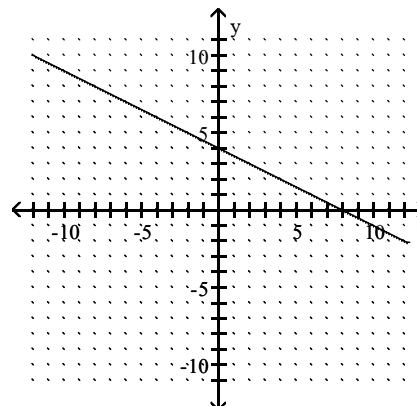
$$209) 2x + y \leq 4$$



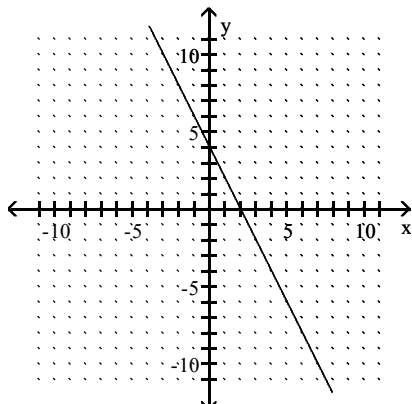
A)



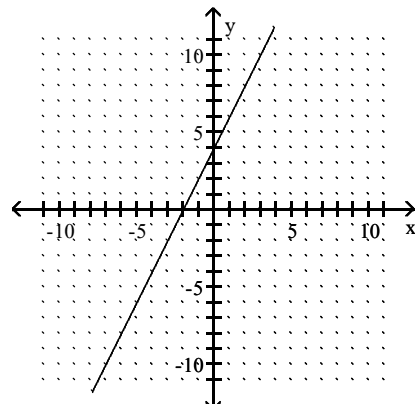
B)



C)

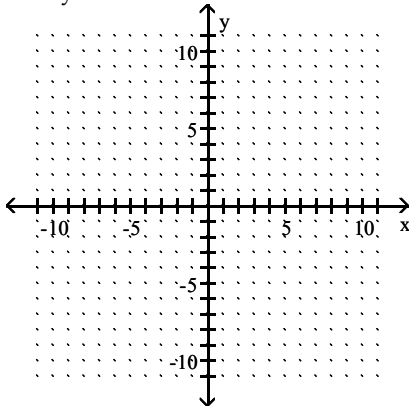


D)

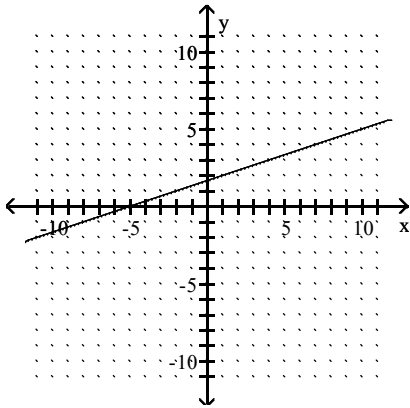


Answer: C

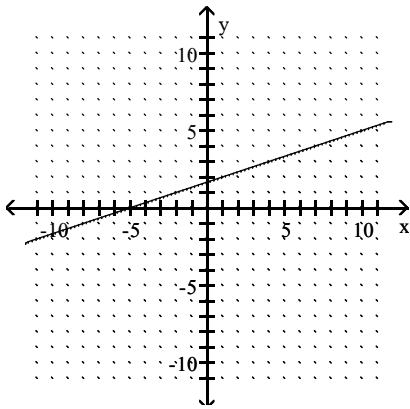
210) $x + 3y \geq 5$



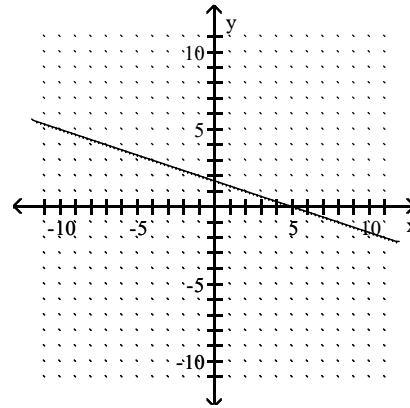
A)



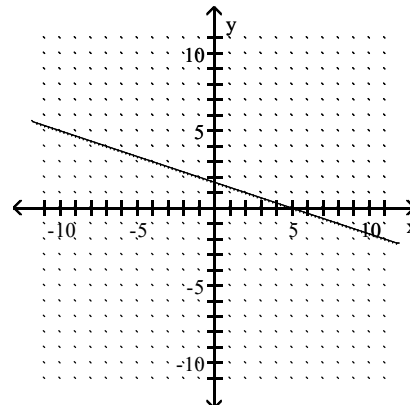
C)



B)

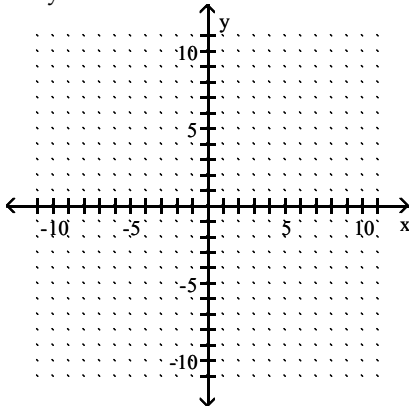


D)

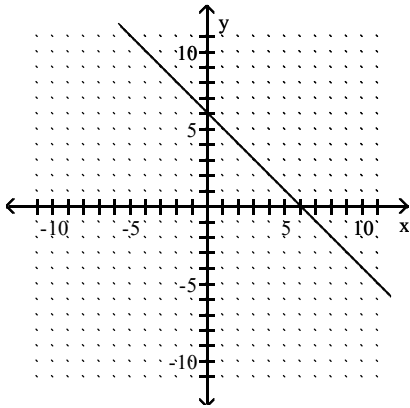


Answer: B

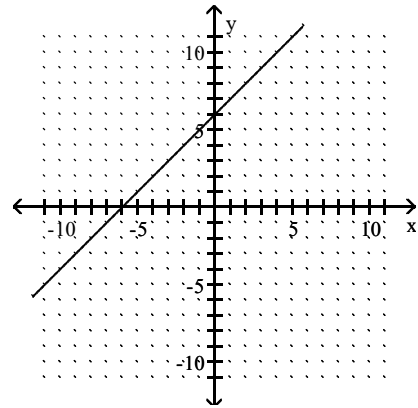
211) $x + y \leq 6$



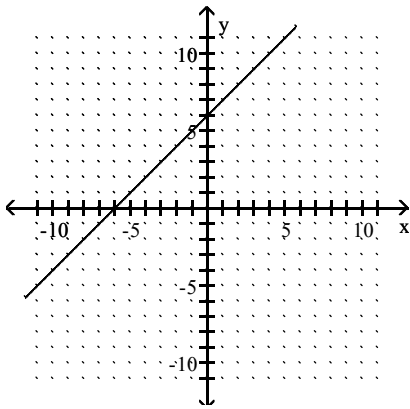
A)



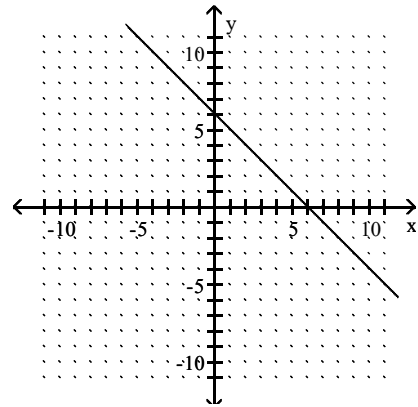
B)



C)

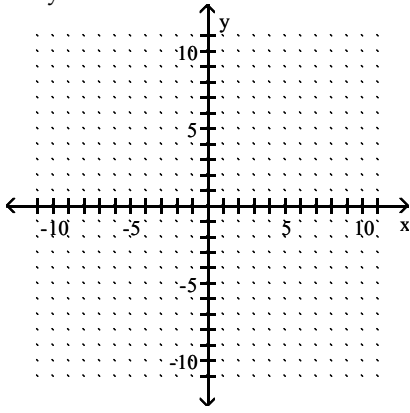


D)

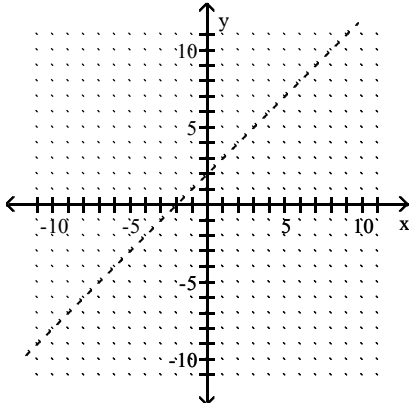


Answer: A

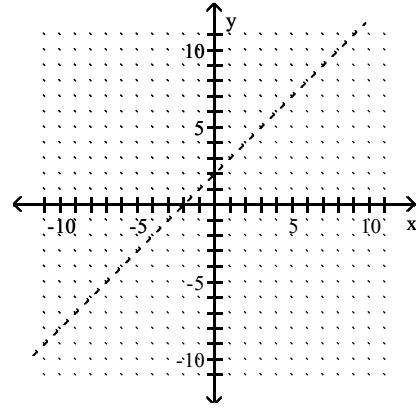
212) $x - y > -2$



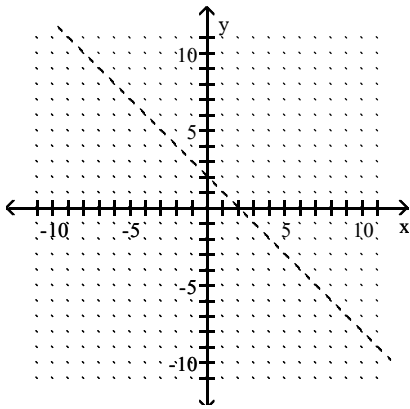
A)



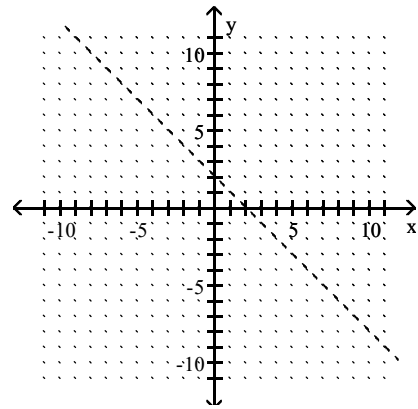
B)



C)

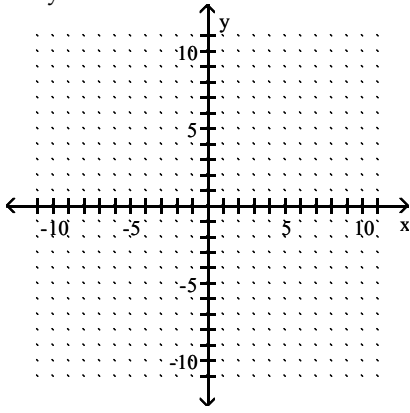


D)

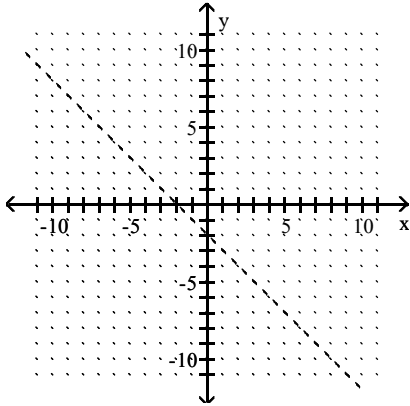


Answer: B

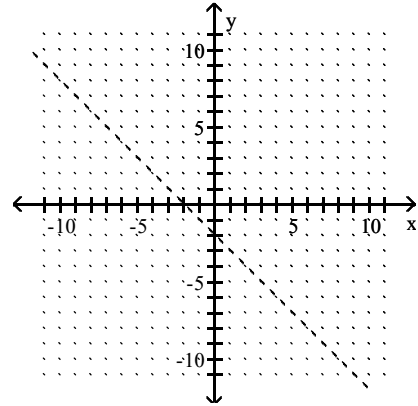
213) $x + y < -2$



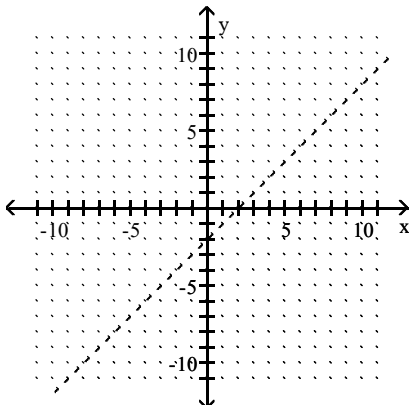
A)



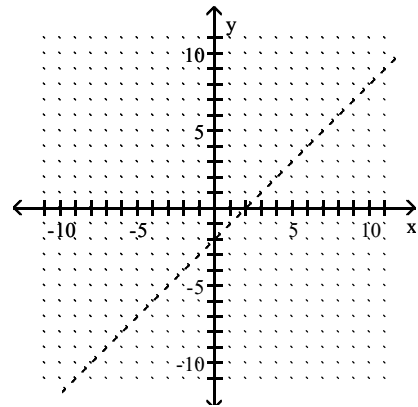
B)



C)

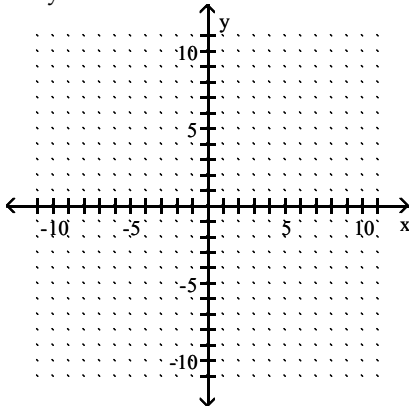


D)

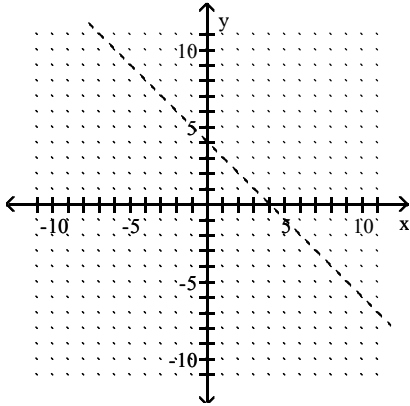


Answer: B

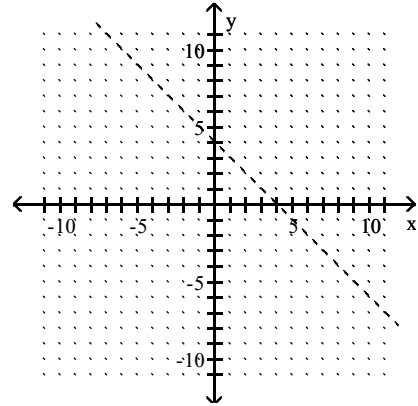
214) $x - y < -4$



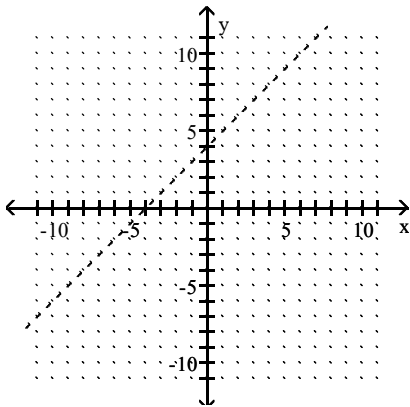
A)



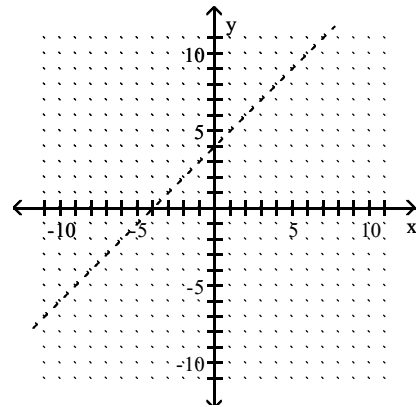
B)



C)

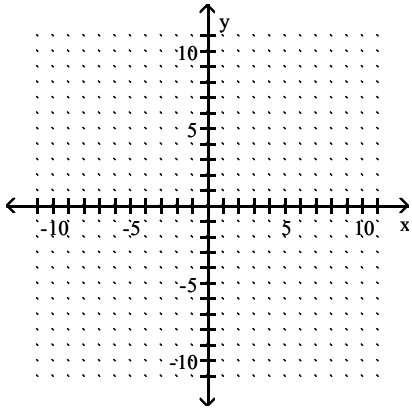


D)

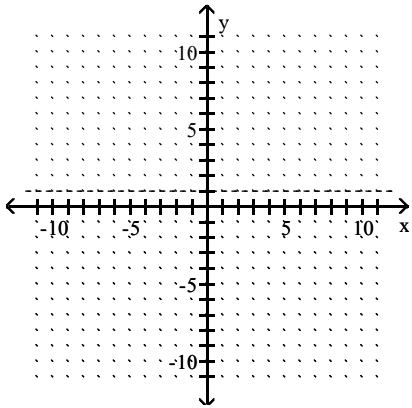


Answer: C

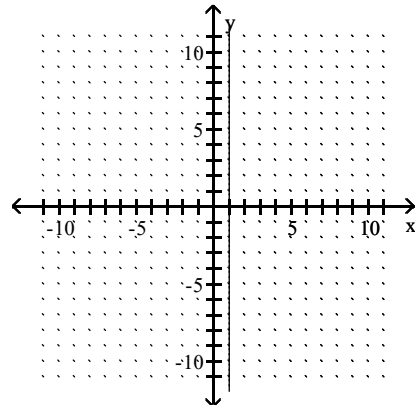
215) $x \geq 1$



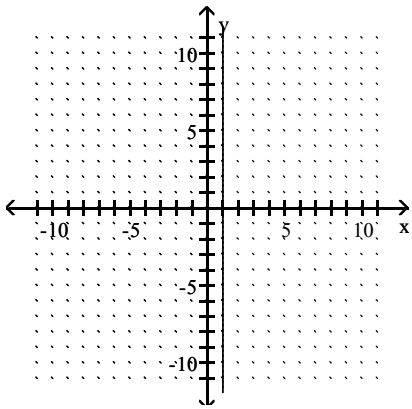
A)



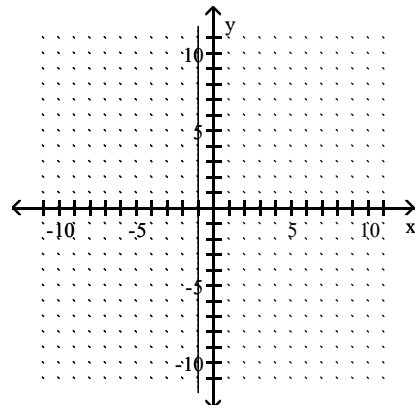
B)



C)

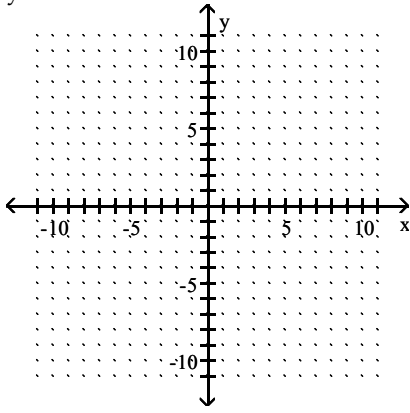


D)

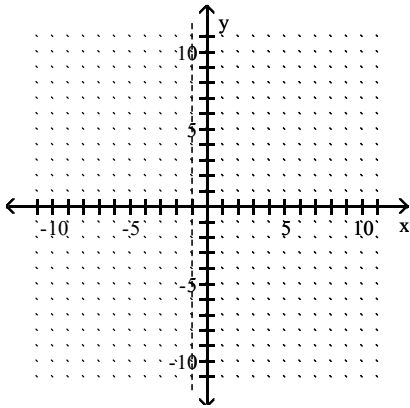


Answer: C

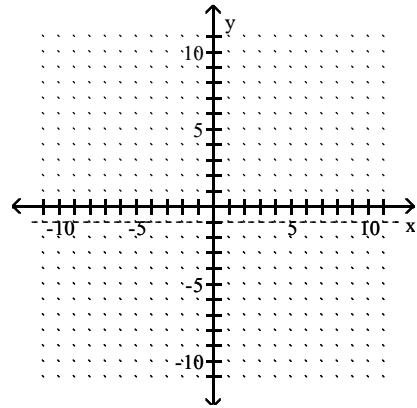
216) $y < -1$



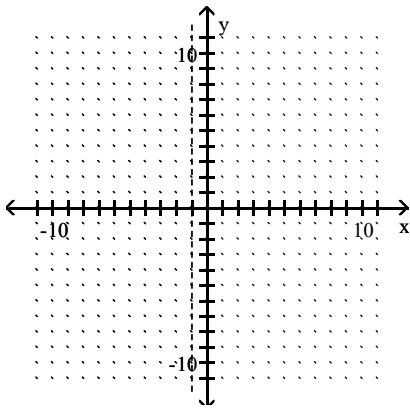
A)



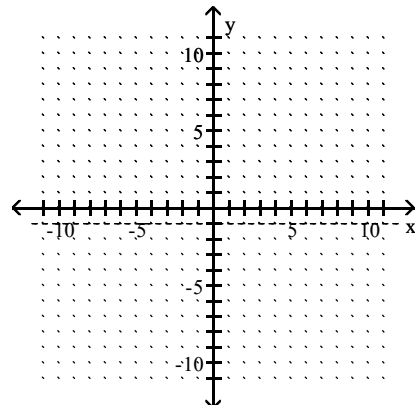
B)



C)

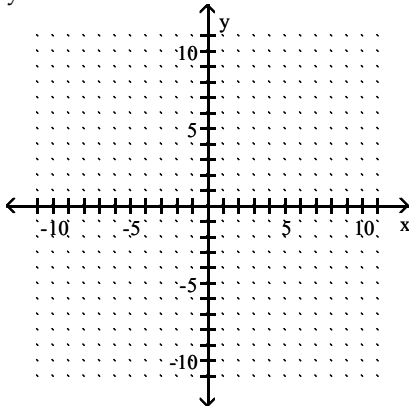


D)

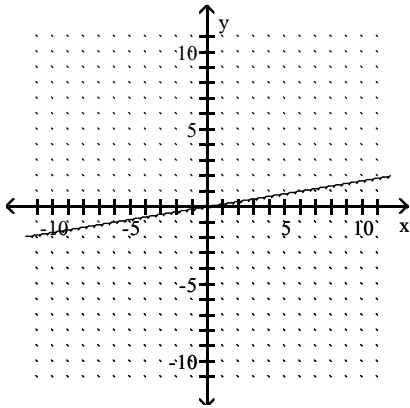


Answer: D

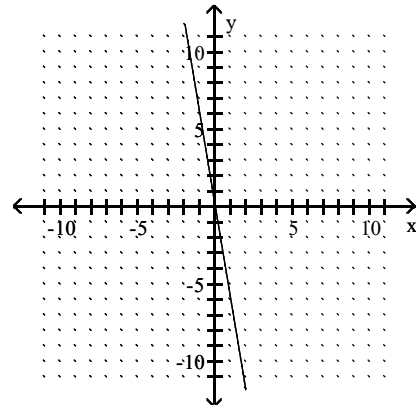
217) $y \geq 6x$



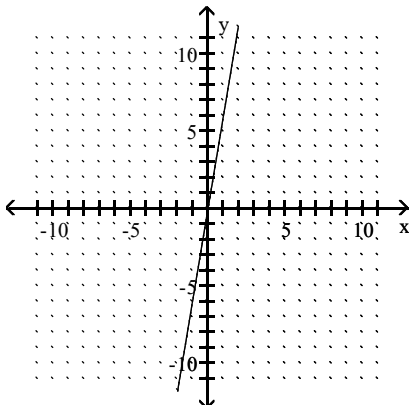
A)



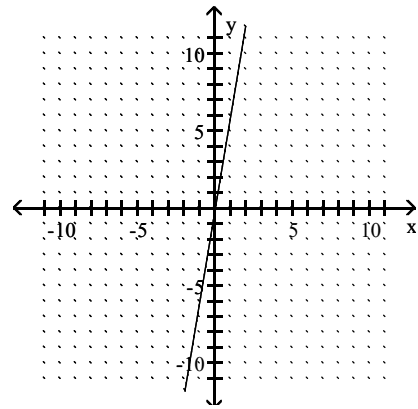
B)



C)

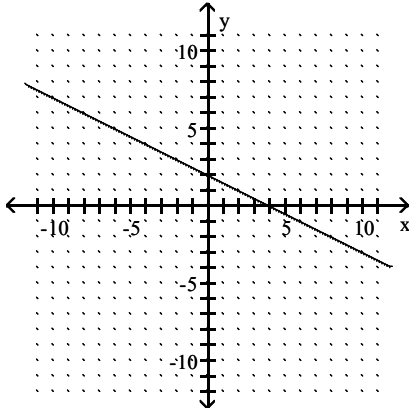


D)

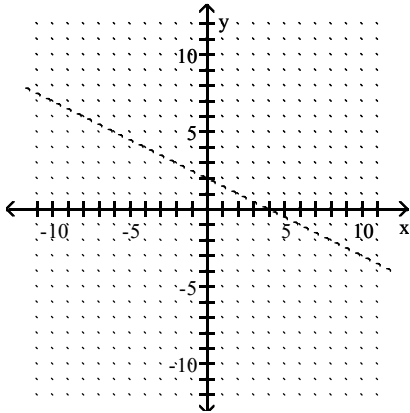


Answer: C

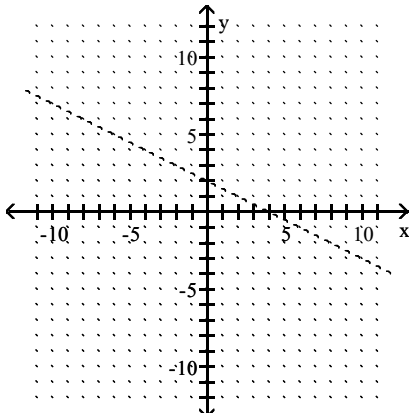
218) $2x + 4y \leq 8$



A)

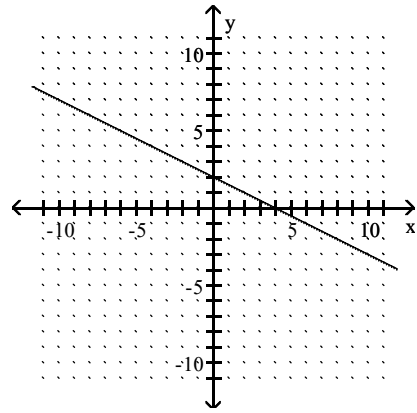


C)

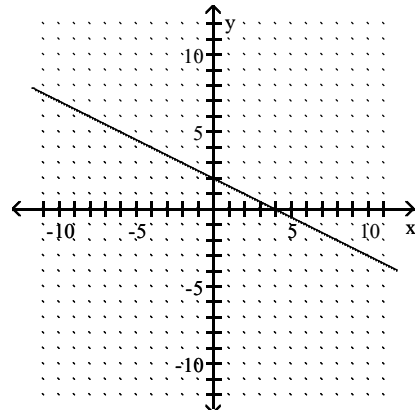


Answer: B

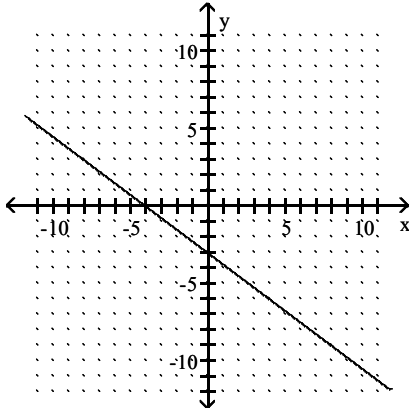
B)



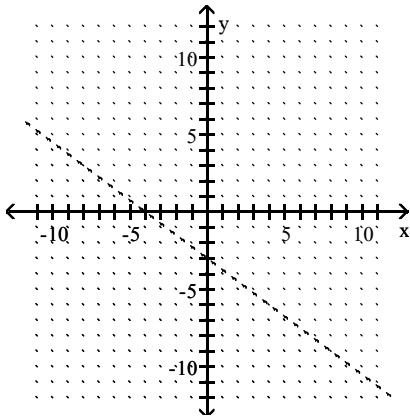
D)



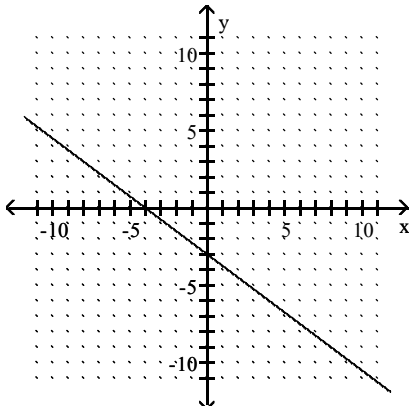
219) $-3x - 4y \leq 12$



A)

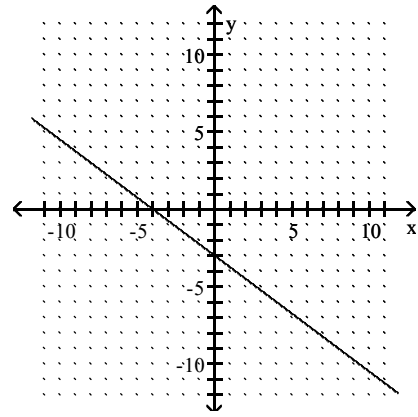


C)

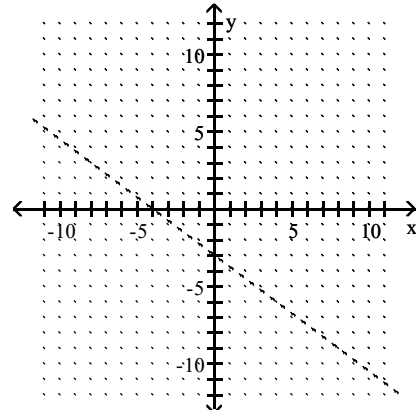


Answer: C

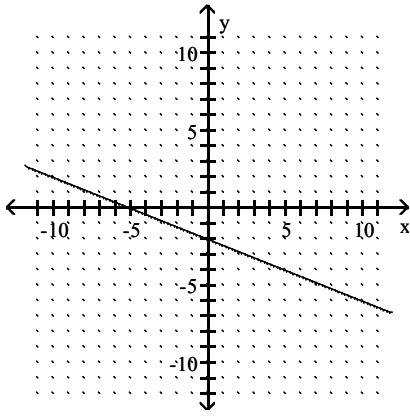
B)



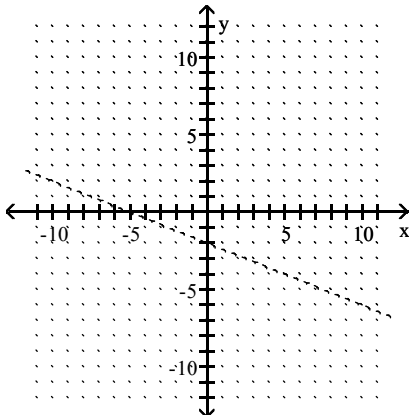
D)



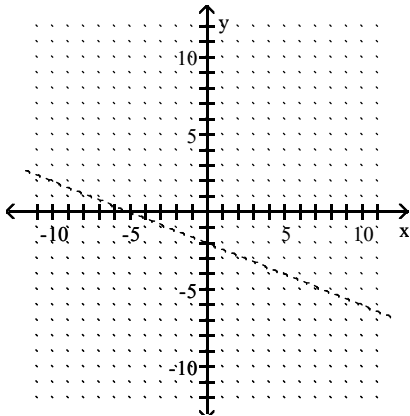
220) $2x + 5y \geq -10$



A)

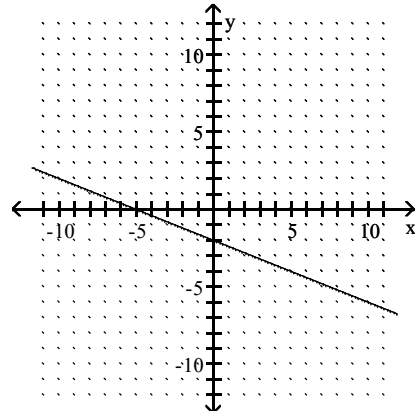


C)

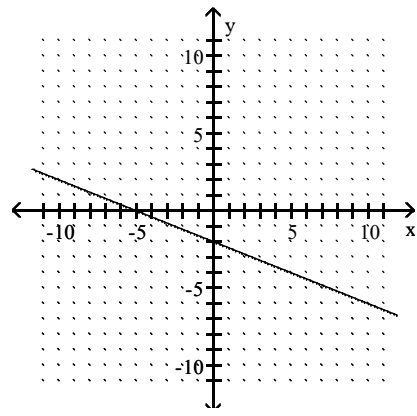


Answer: D

B)

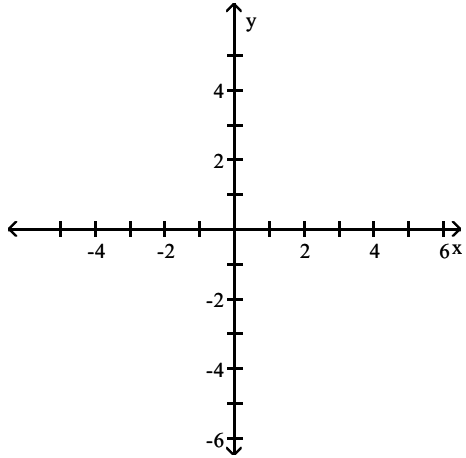


D)

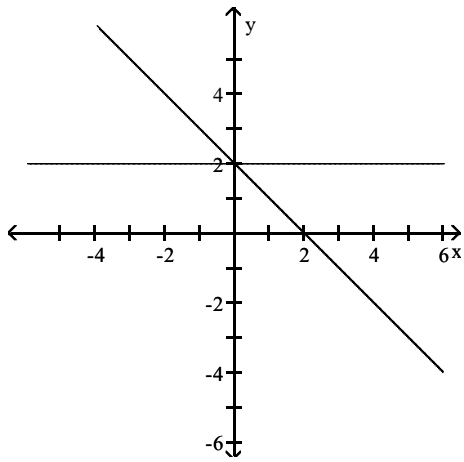


Graph the compound inequality.

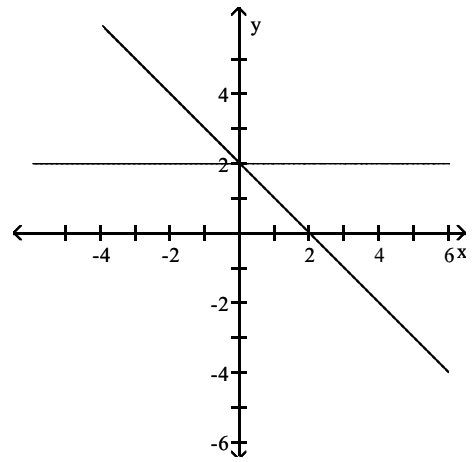
221) $x + y \geq 2$ and $y \leq 2$



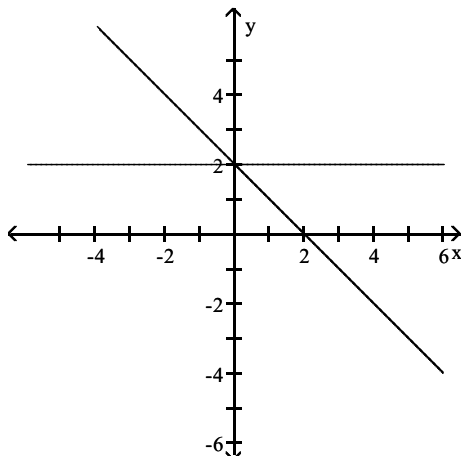
A)



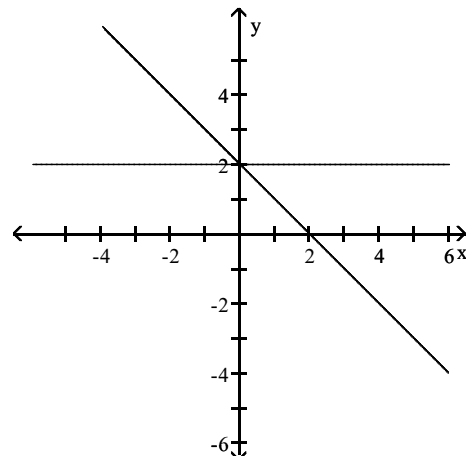
B)



C)

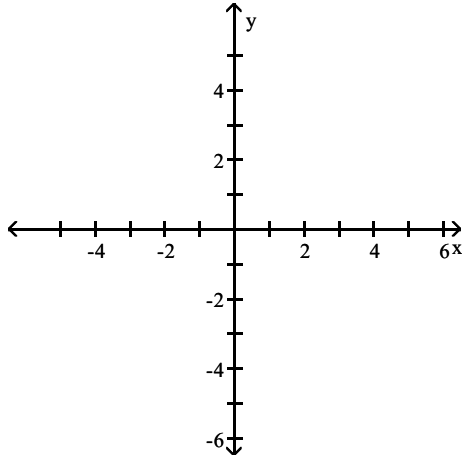


D)

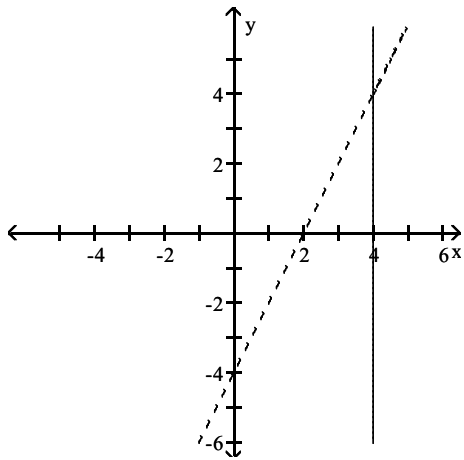


Answer: B

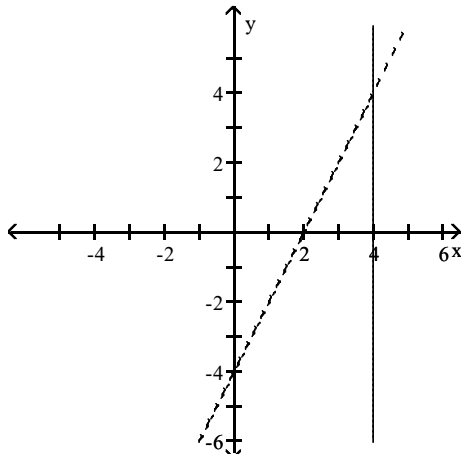
222) $2x - y > 4$ and $x \leq 4$



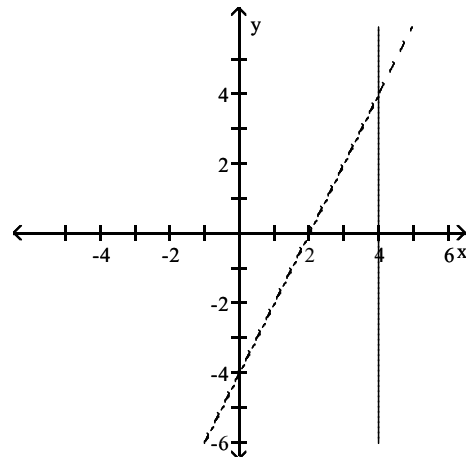
A)



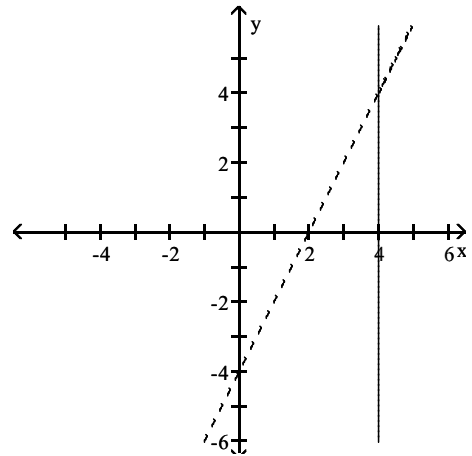
C)



B)

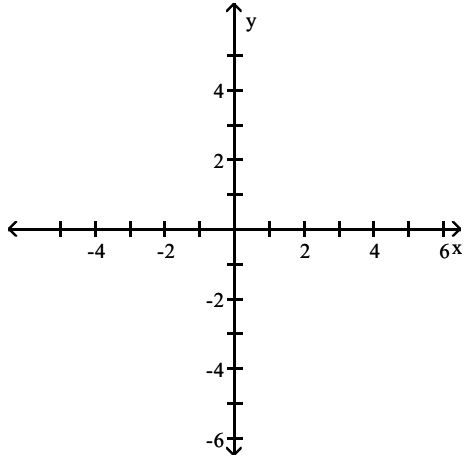


D)

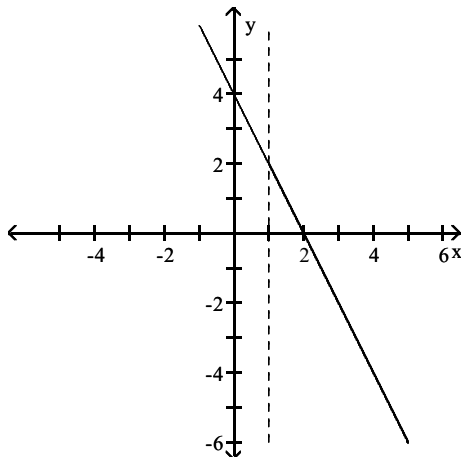


Answer: B

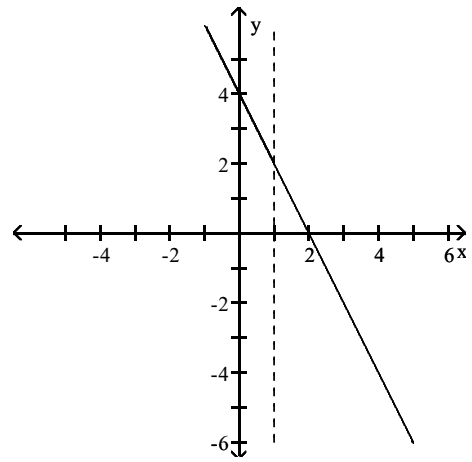
223) $2x + y \leq 4$ and $x - 1 > 0$



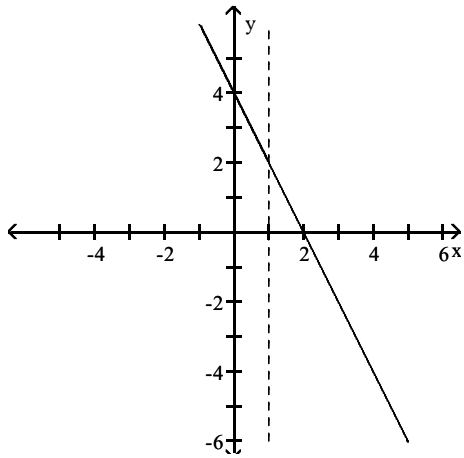
A)



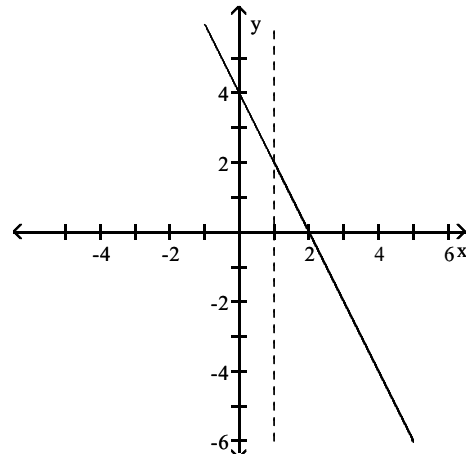
B)



C)

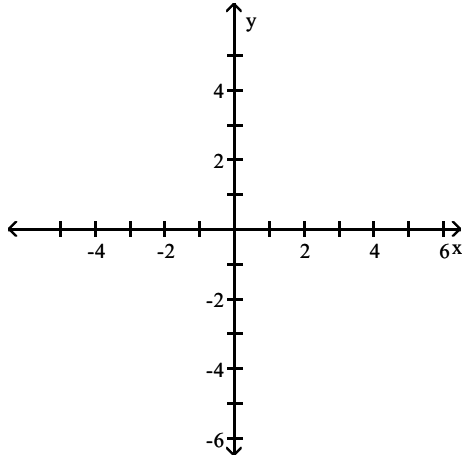


D)

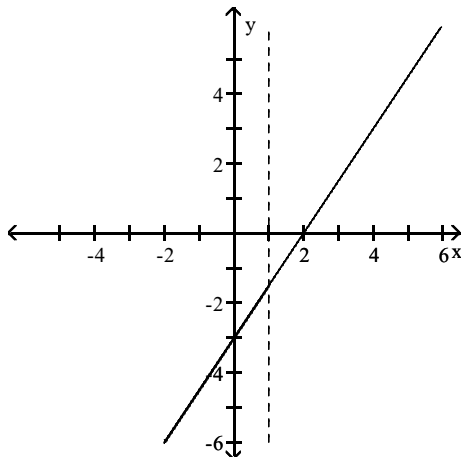


Answer: A

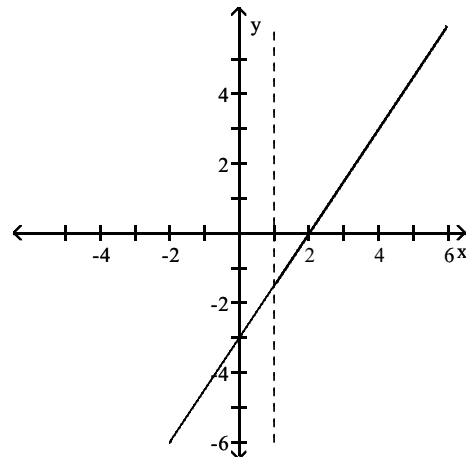
224) $3x - 2y \leq 6$ and $x - 1 > 0$



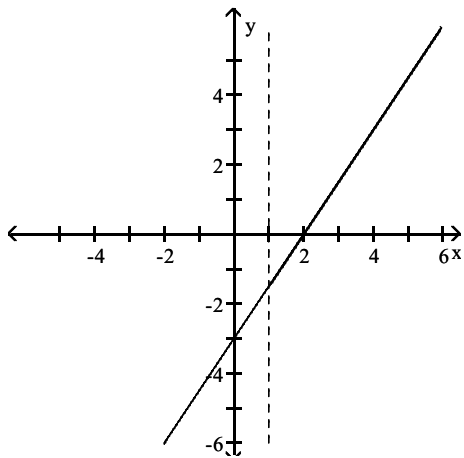
A)



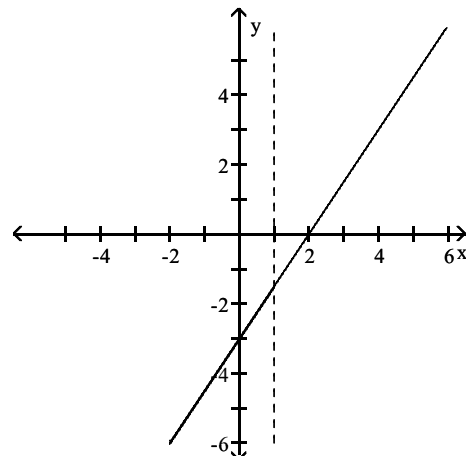
B)



C)

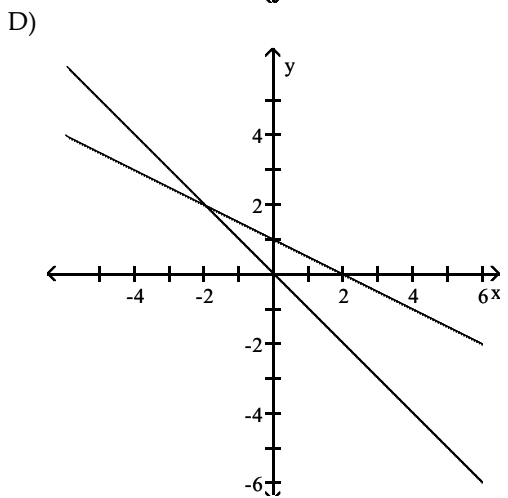
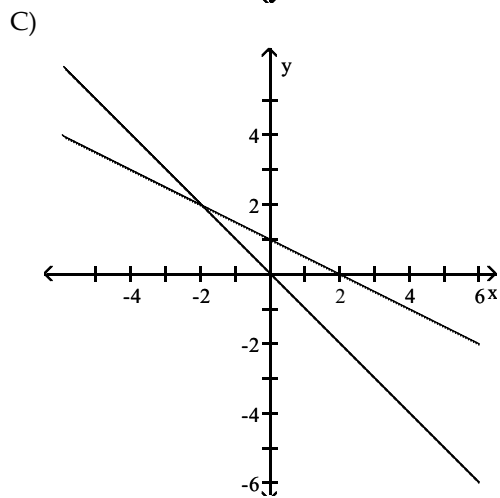
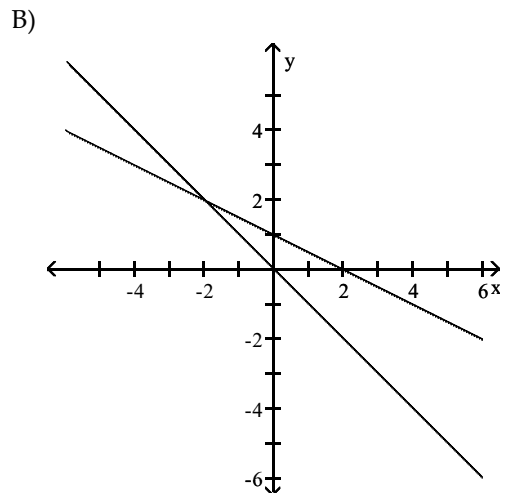
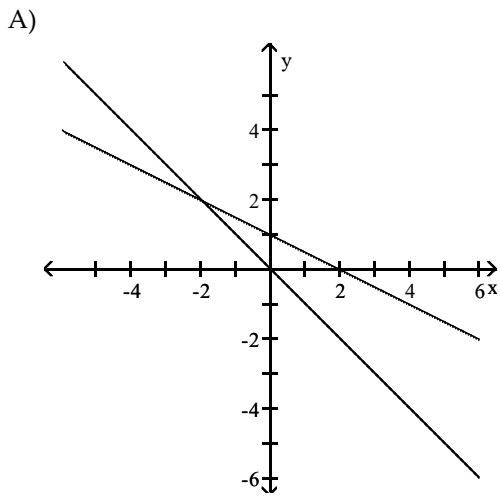
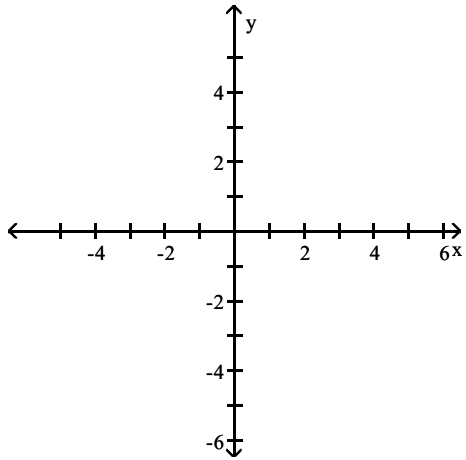


D)



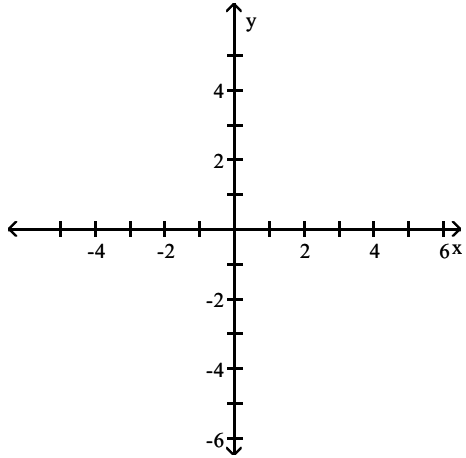
Answer: C

225) $x + 2y \leq 2$ and $x + y \geq 0$

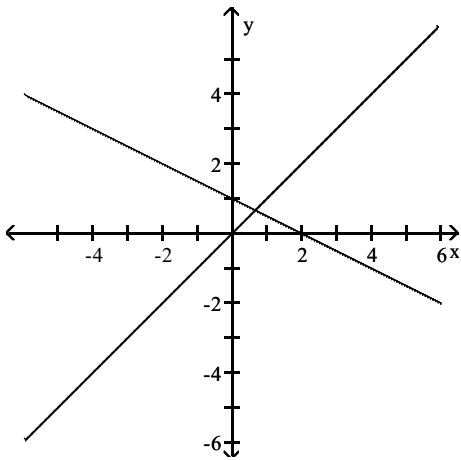


Answer: C

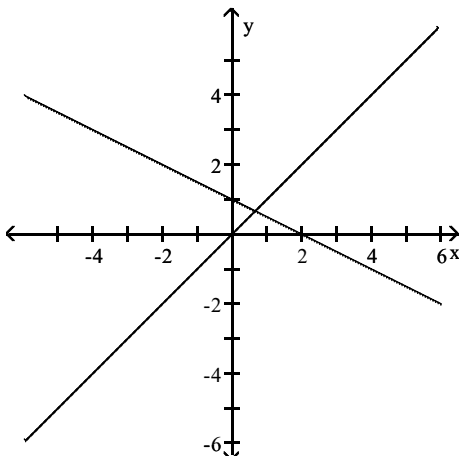
226) $x + 2y \geq 2$ and $x - y \leq 0$



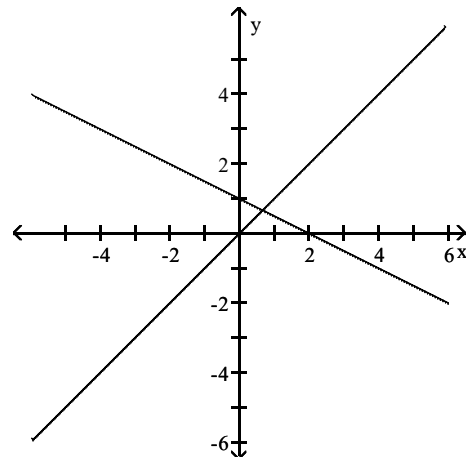
A)



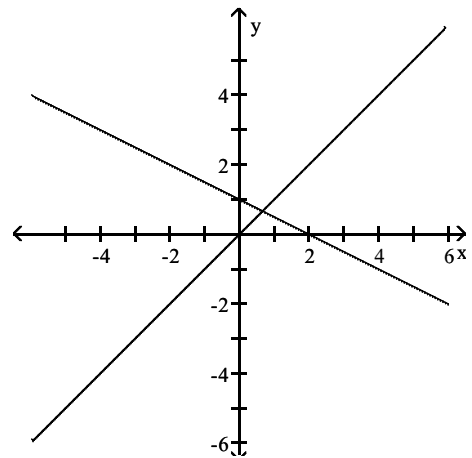
C)



B)



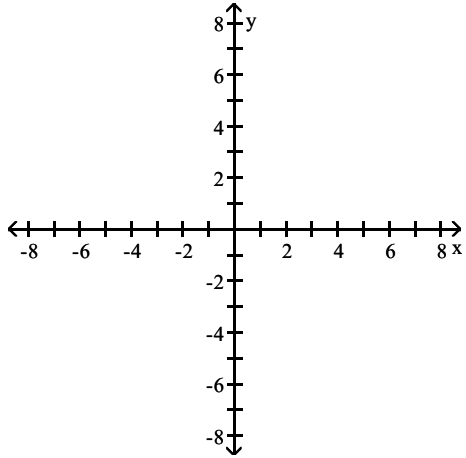
D)



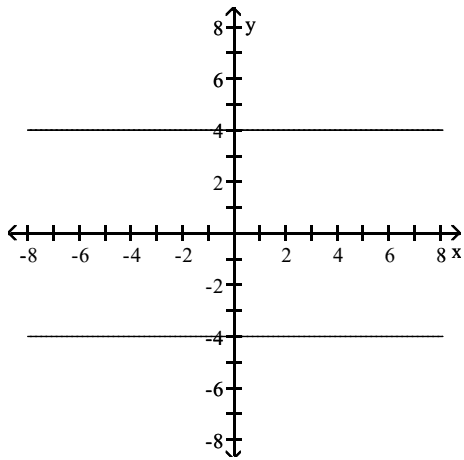
Answer: B

Graph the solution set of the inequality in the rectangular coordinate plane.

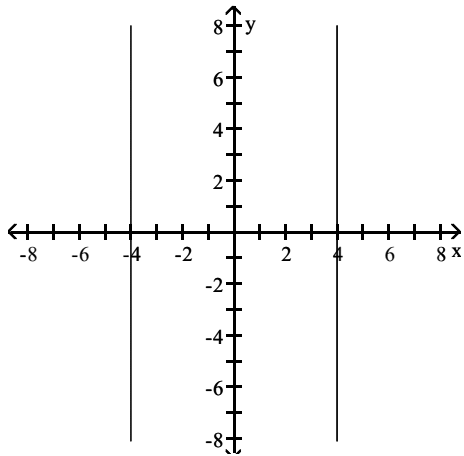
227) $|x| \geq 4$



A)

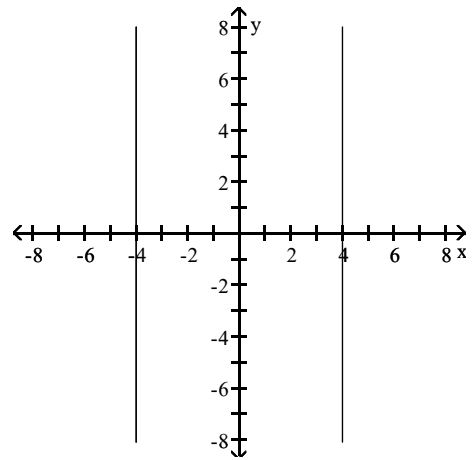


C)

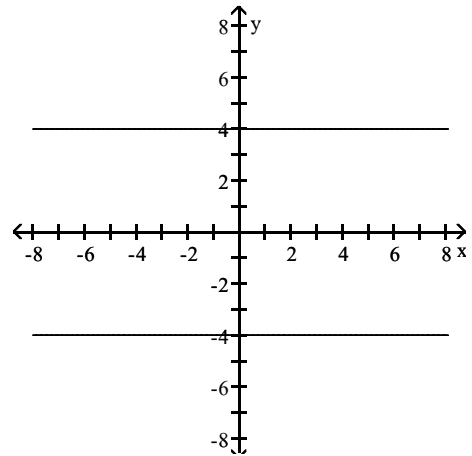


Answer: C

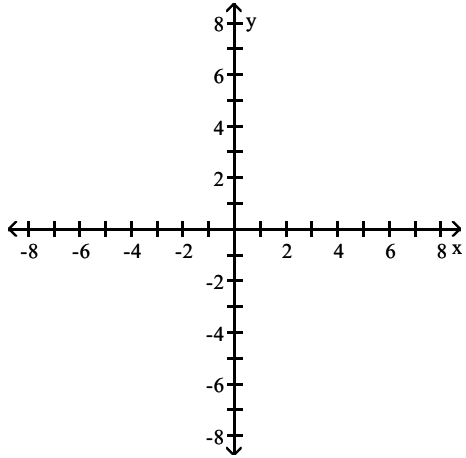
B)



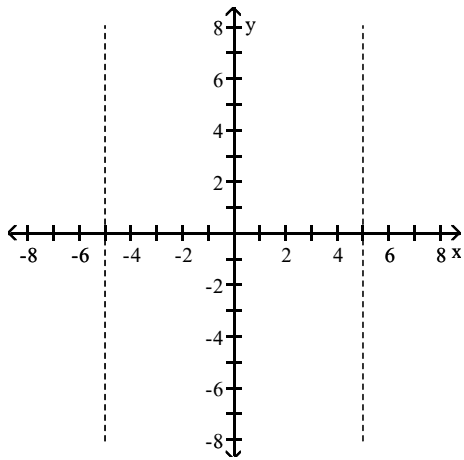
D)



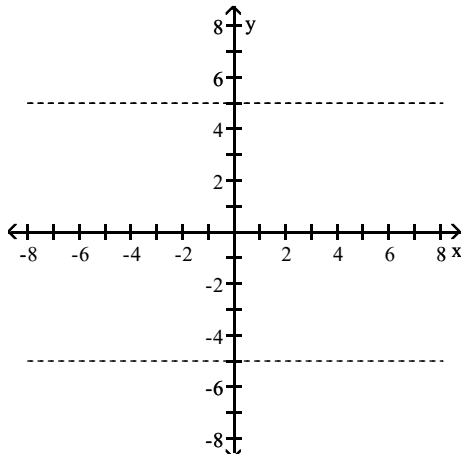
228) $|y| < 5$



A)

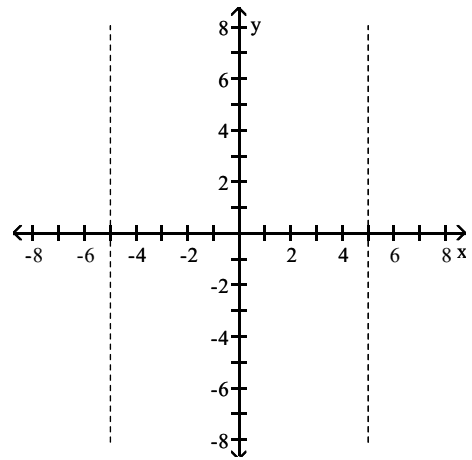


C)

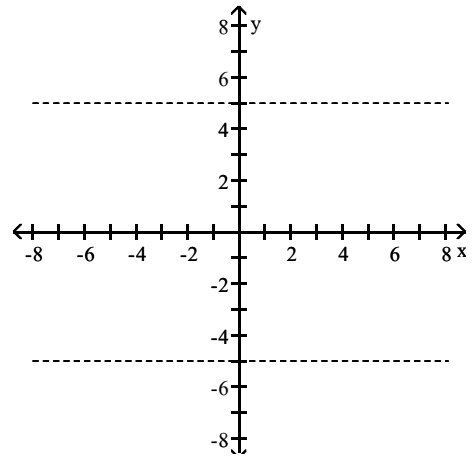


Answer: C

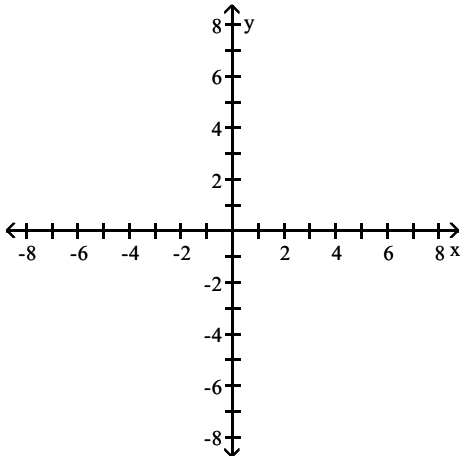
B)



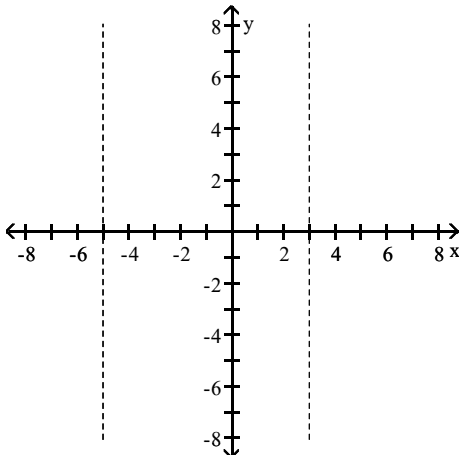
D)



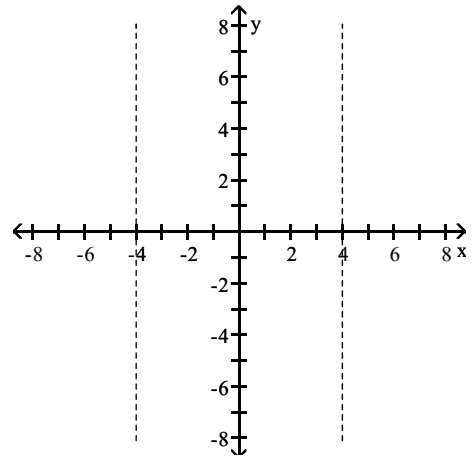
229) $|x + 1| < 4$



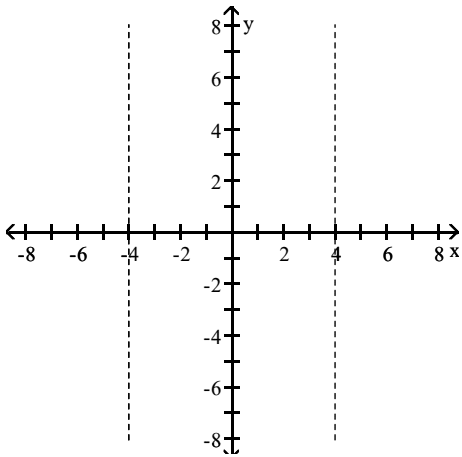
A)



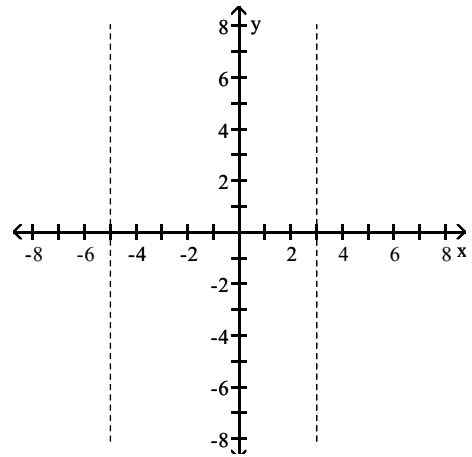
B)



C)

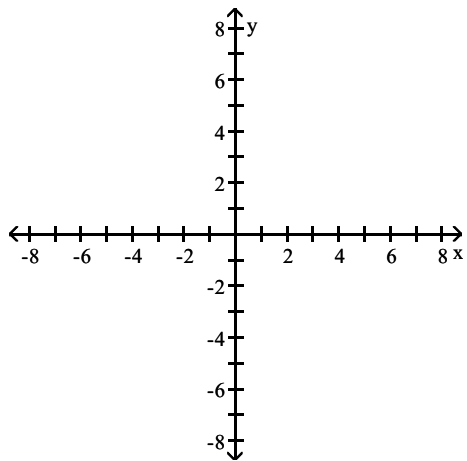


D)

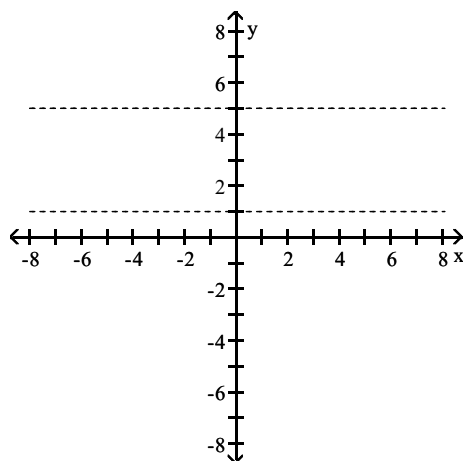


Answer: A

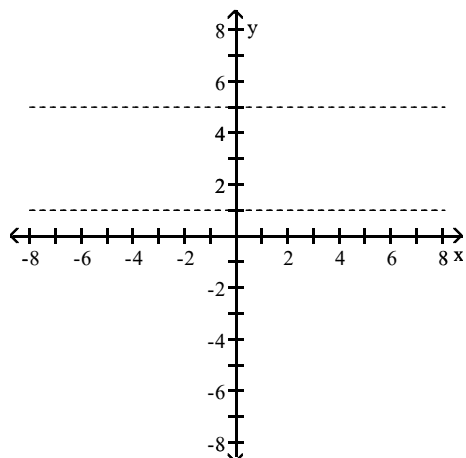
230) $|y - 3| > 2$



A)

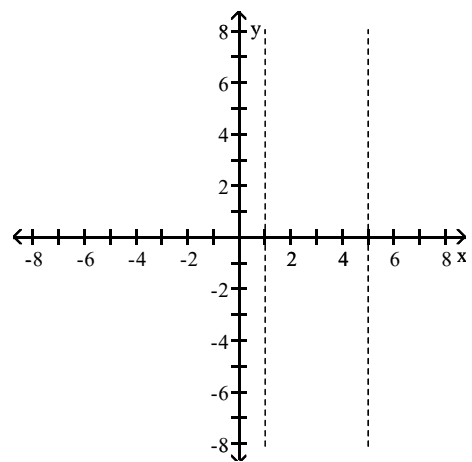


C)

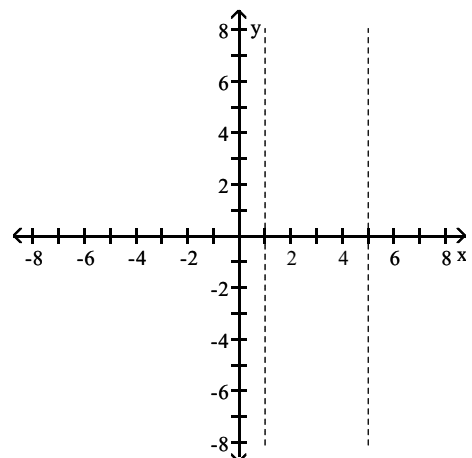


Answer: C

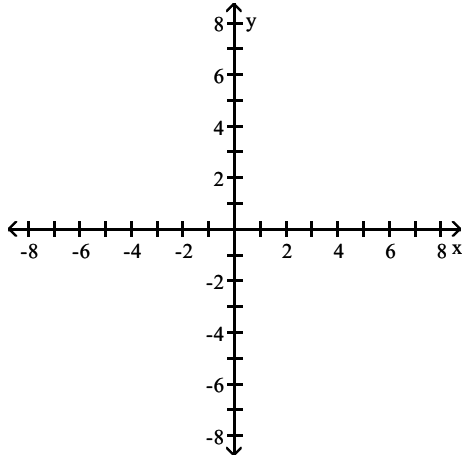
B)



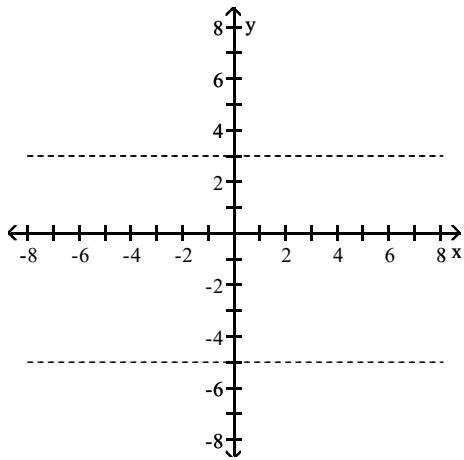
D)



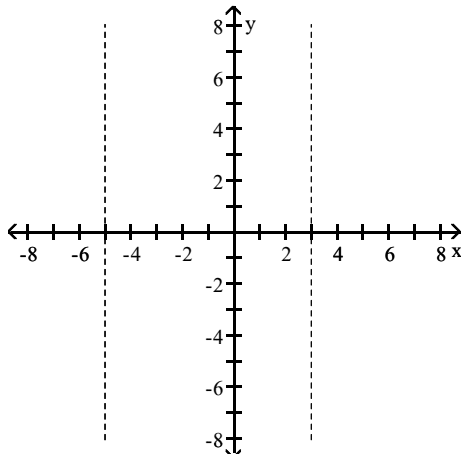
231) $|x + 1| > 4$



A)

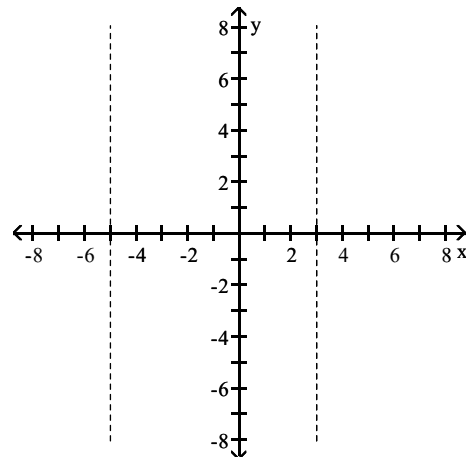


C)

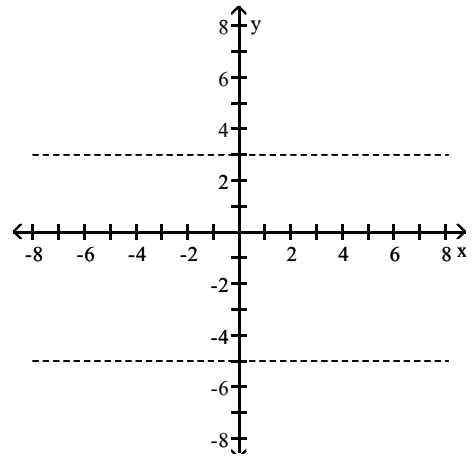


Answer: B

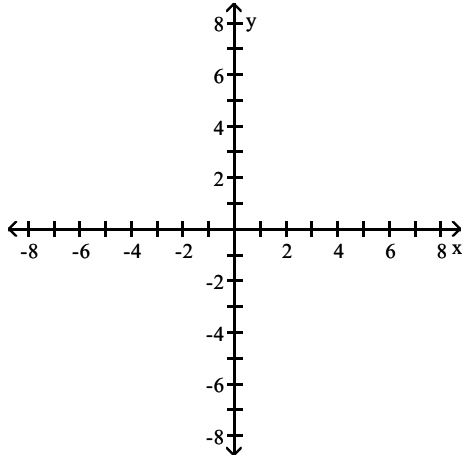
B)



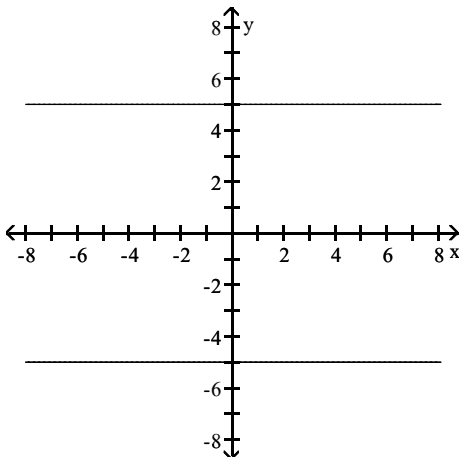
D)



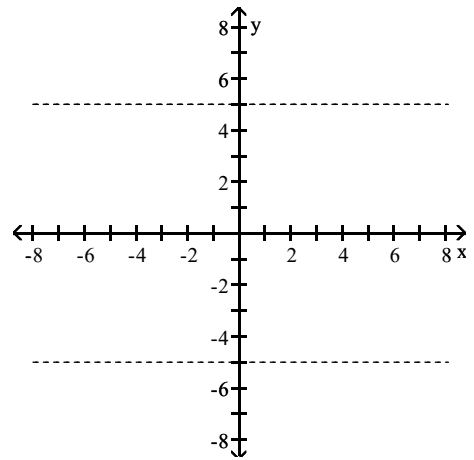
232) $|y| \geq 5$



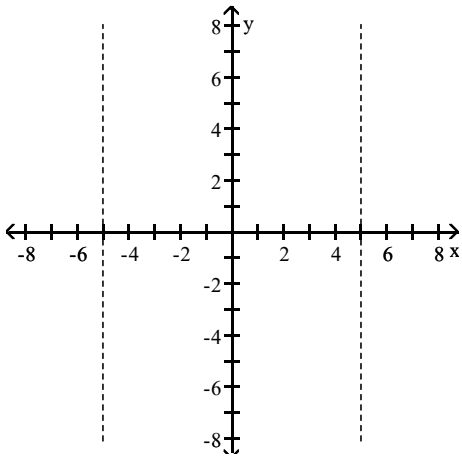
A)



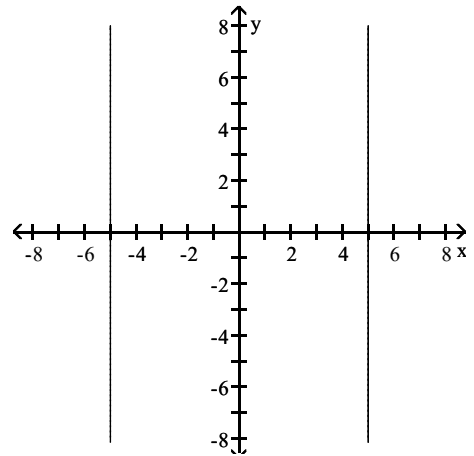
B)



C)

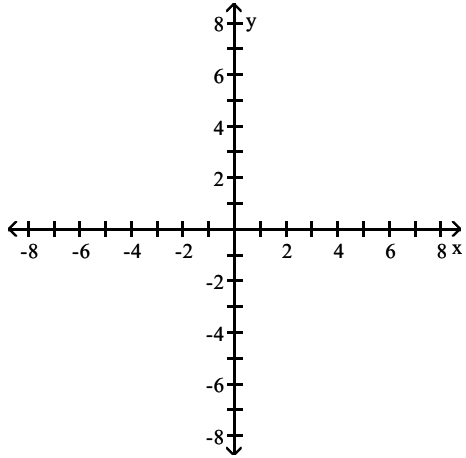


D)

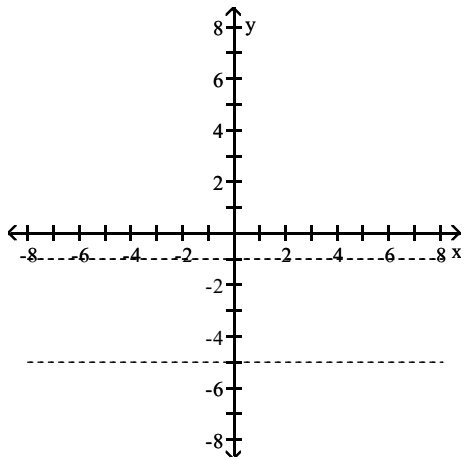


Answer: A

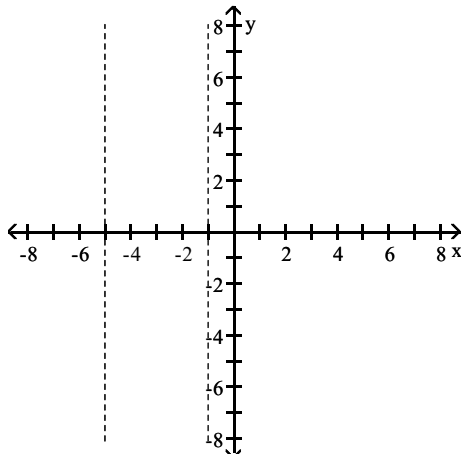
233) $|y + 3| < 2$



A)

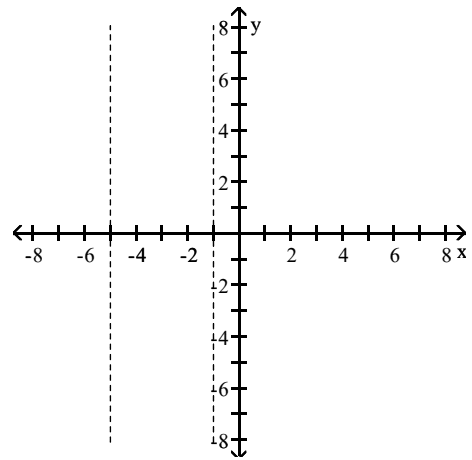


C)

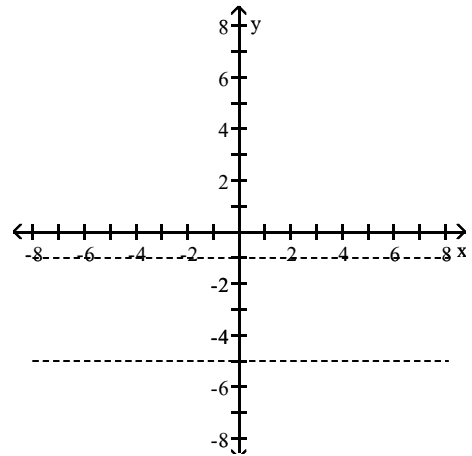


Answer: A

B)

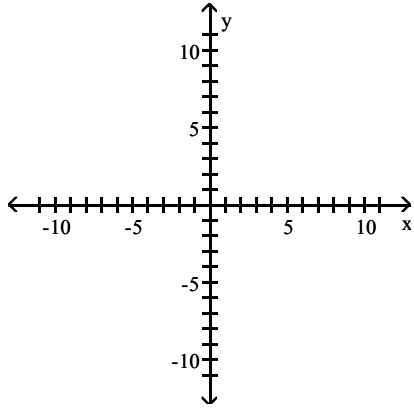


D)

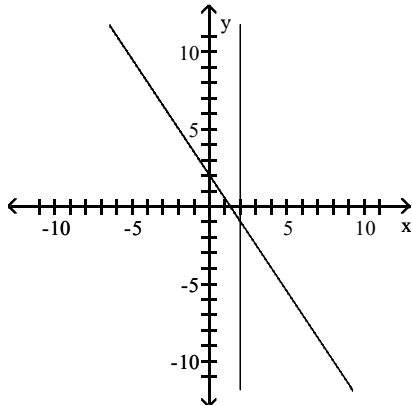


Graph the compound inequality.

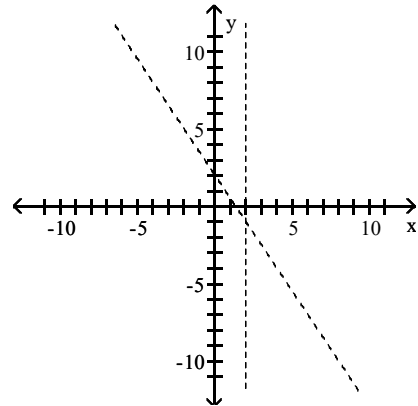
234) $3x + 2y > 4$ or $x > 2$



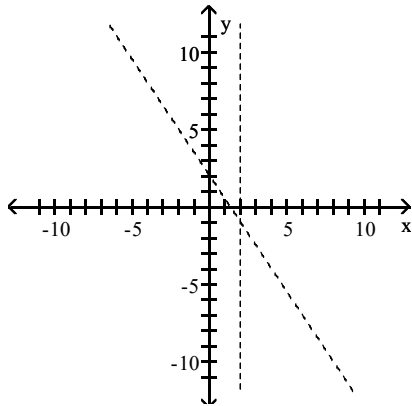
A)



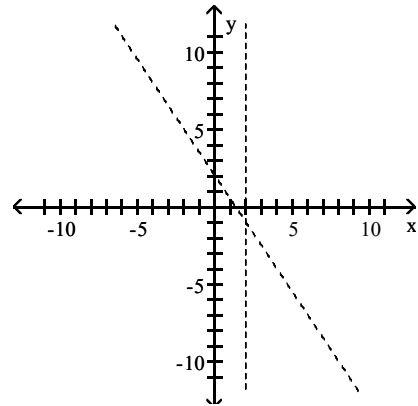
B)



C)

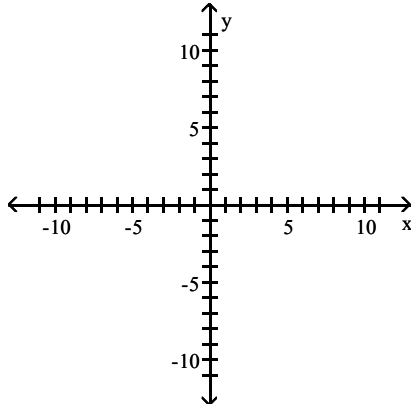


D)

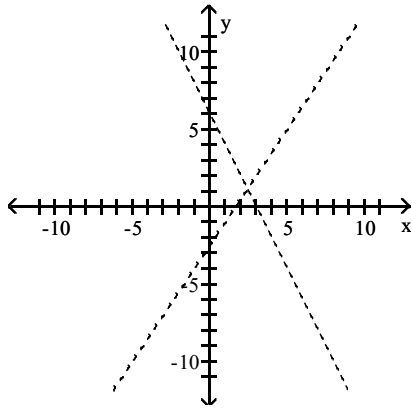


Answer: B

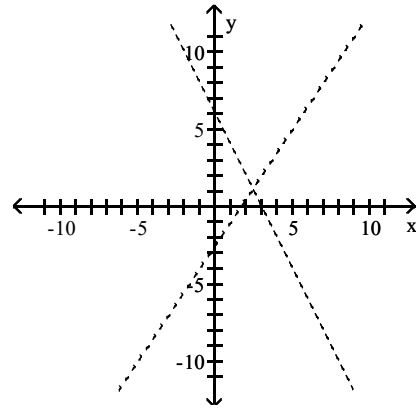
235) $2x + y < 6$ or $3x - 2y > 5$



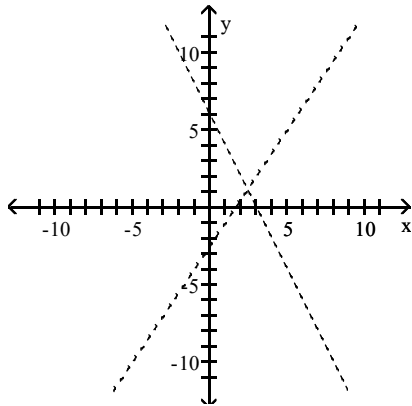
A)



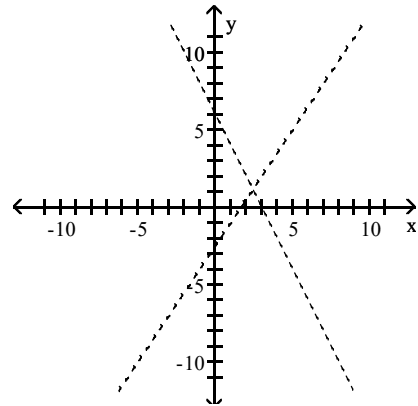
B)



C)

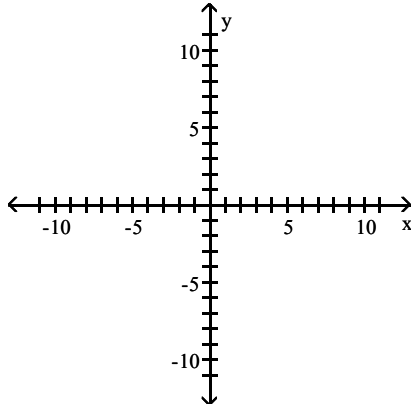


D)

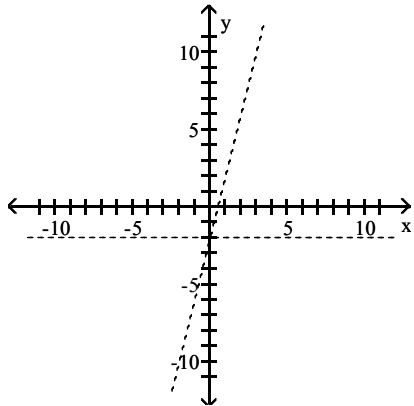


Answer: D

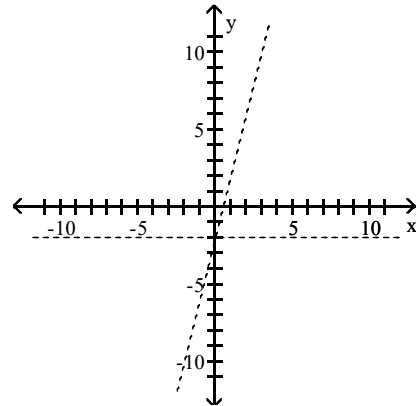
236) $4x < y + 2$ or $y < -2$



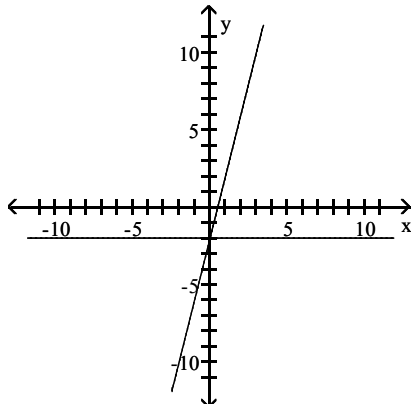
A)



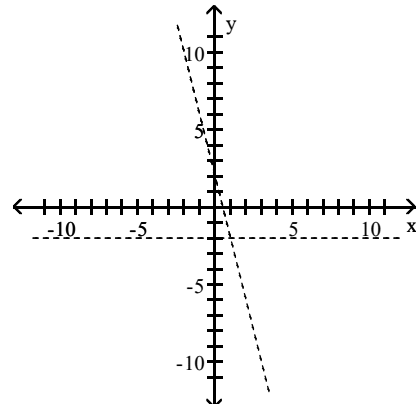
B)



C)

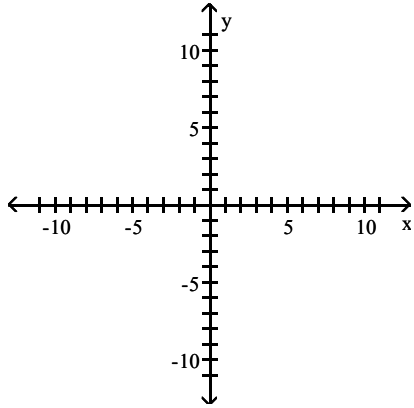


D)

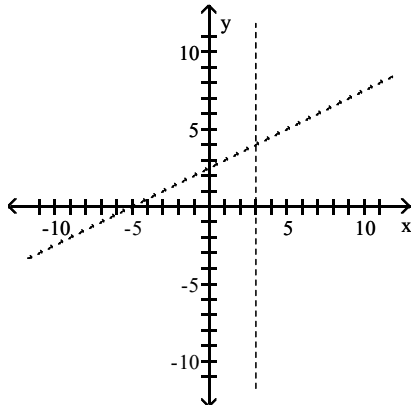


Answer: B

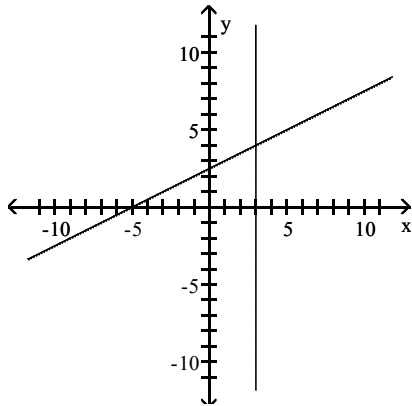
237) $x + 5 \geq 2y$ or $x \leq 3$



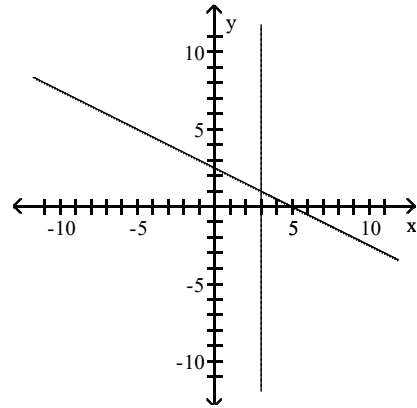
A)



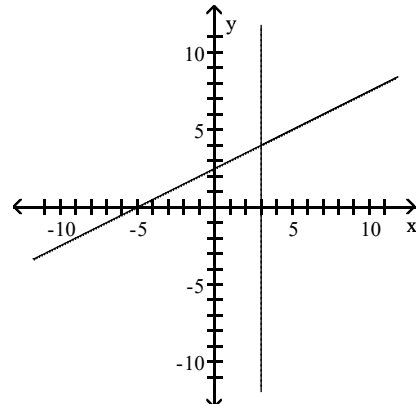
C)



B)

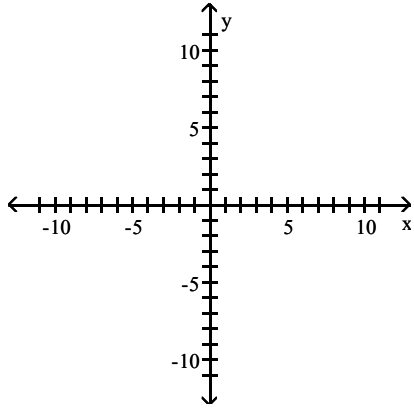


D)

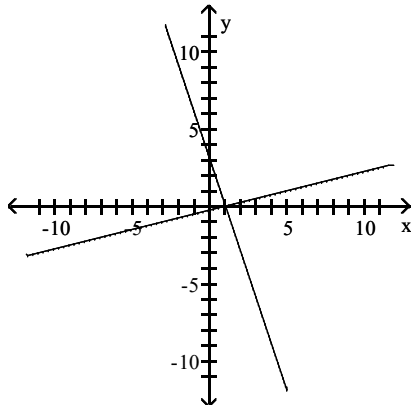


Answer: D

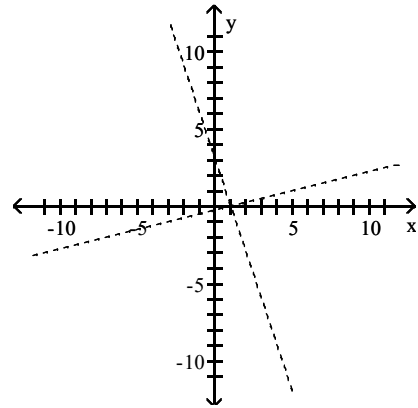
238) $3x + y \geq 3$ or $x - 4y \leq 1$



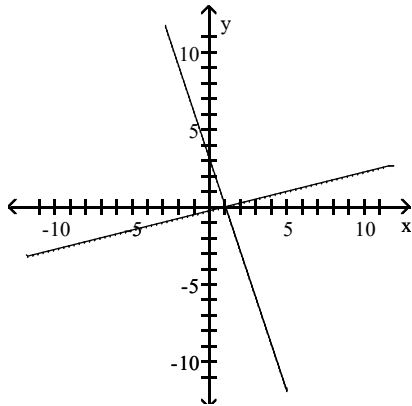
A)



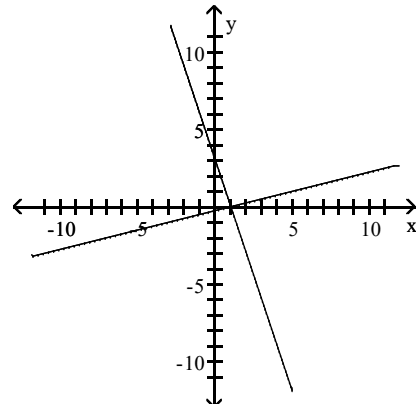
B)



C)

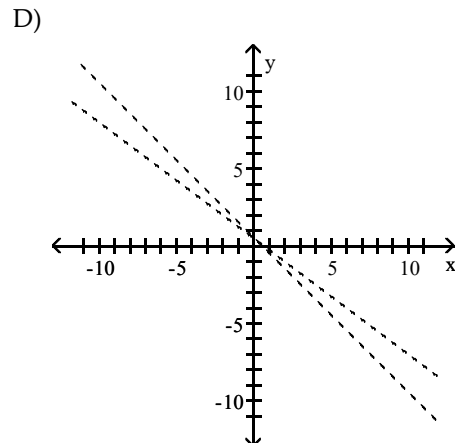
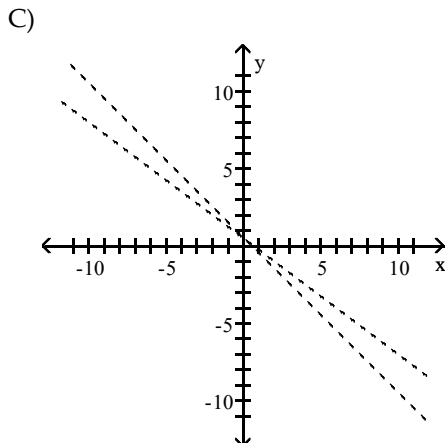
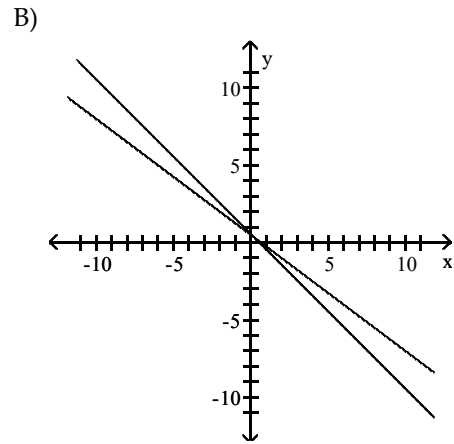
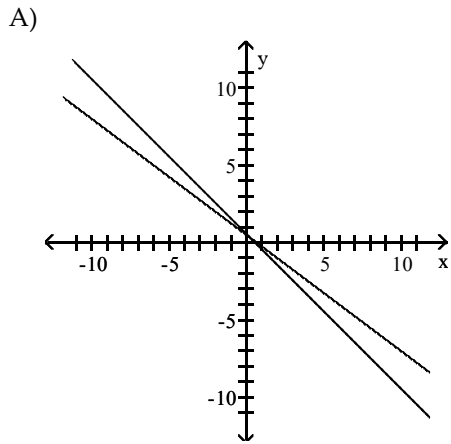
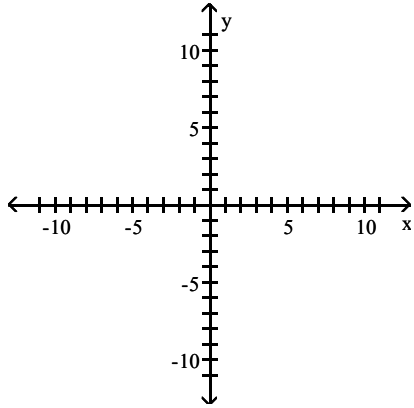


D)



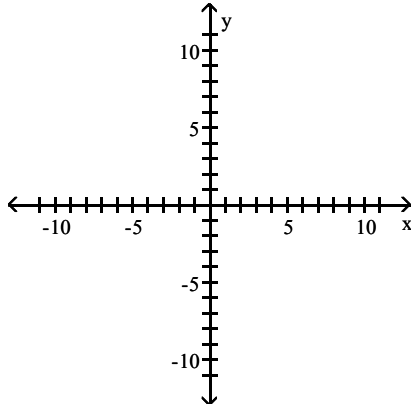
Answer: C

239) $2x + 2y > 1$ or $3x + 4y > 2$

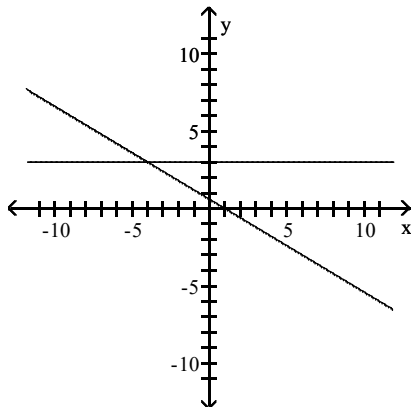


Answer: D

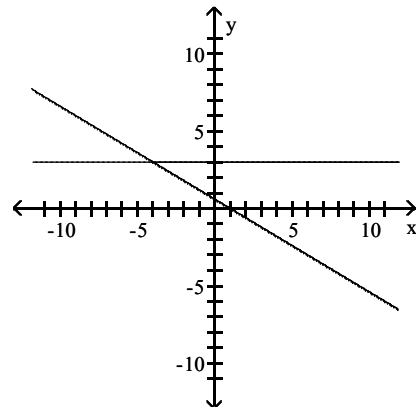
240) $3x + 5y \geq 3$ or $y \geq 3$



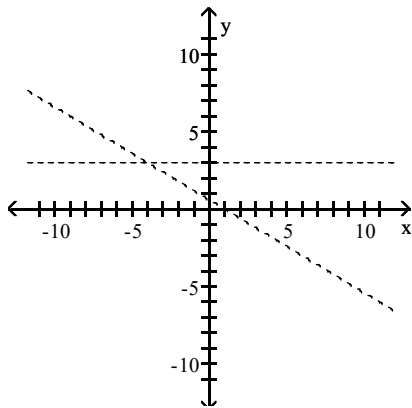
A)



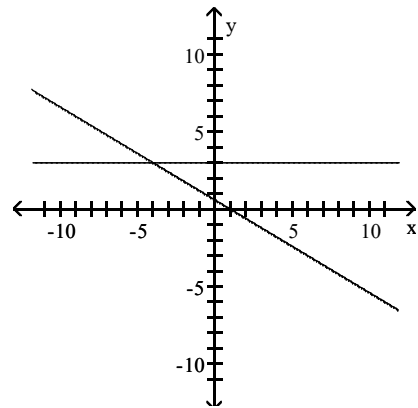
B)



C)

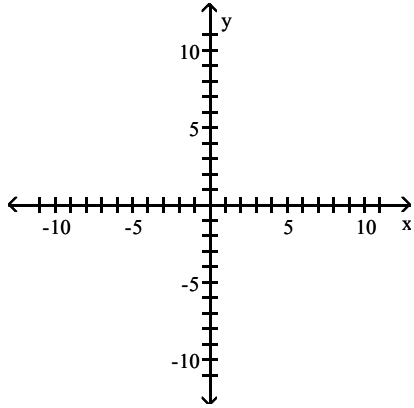


D)

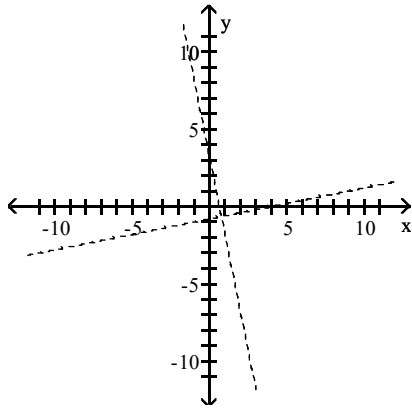


Answer: D

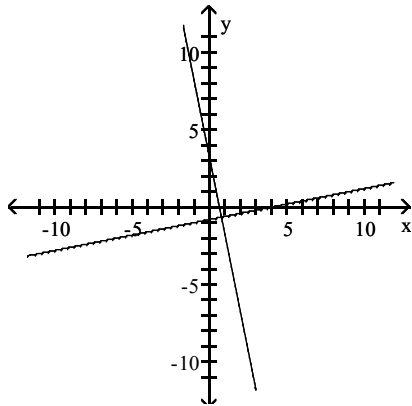
241) $x - 5y \leq 4$ or $5x + y \leq 3$



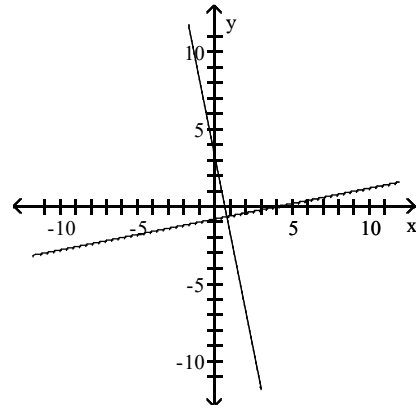
A)



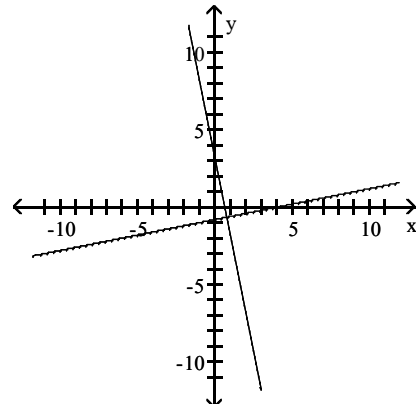
C)



B)

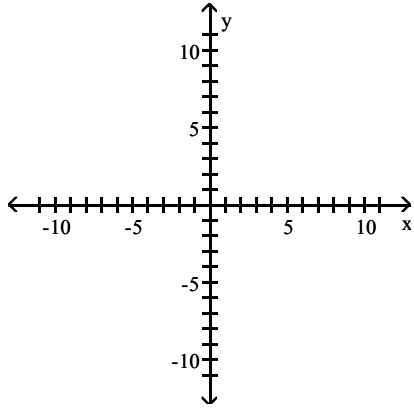


D)

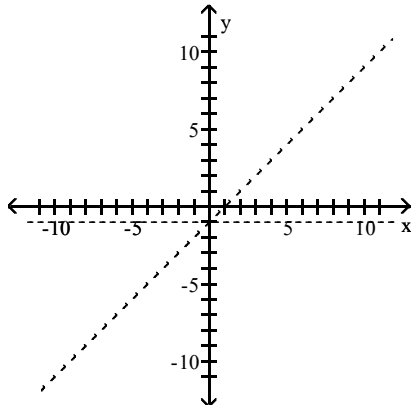


Answer: B

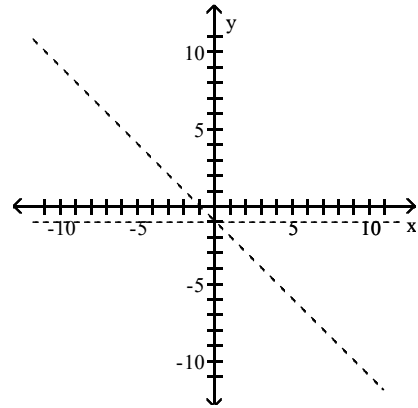
242) $x > y + 1$ or $y > -1$



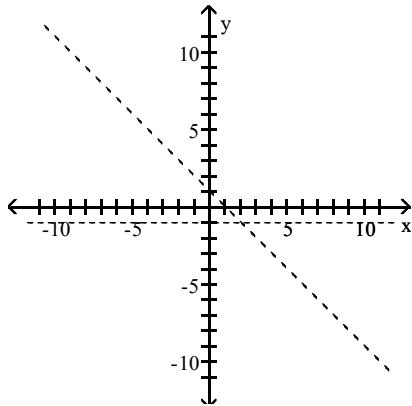
A)



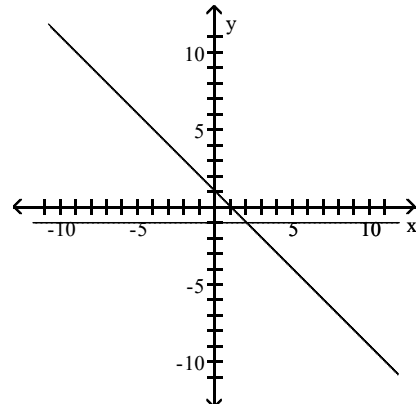
B)



C)



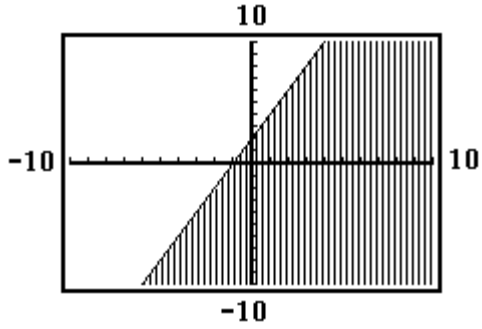
D)



Answer: A

Choose the inequality that best matches the given calculator graph.

243)



A) $y \geq -2x - 2$

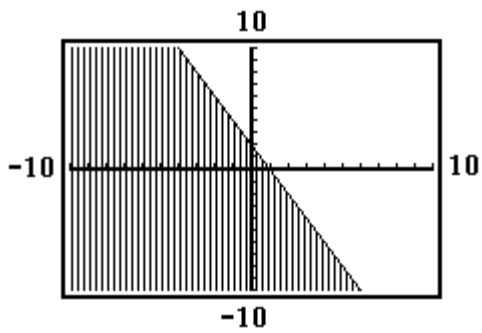
B) $y \leq -2x - 2$

C) $y \leq 2x + 2$

D) $y \geq 2x + 2$

Answer: C

244)



A) $y \leq 2x - 2$

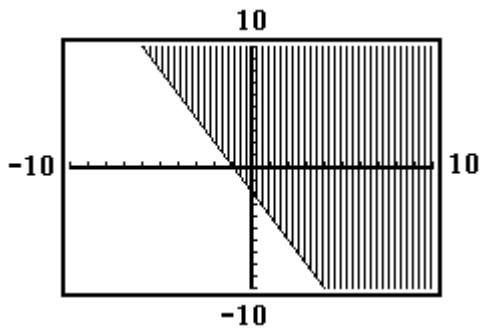
B) $y \leq -2x - 2$

C) $y \leq -2x + 2$

D) $y \geq -2x + 2$

Answer: C

245)



A) $y \leq -2x - 2$

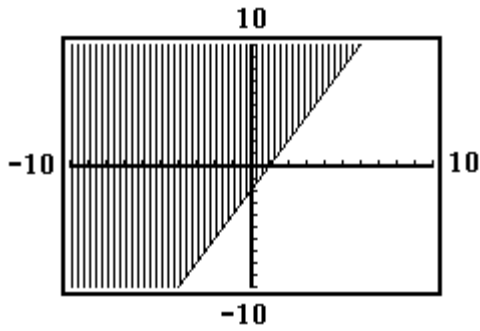
B) $y \geq 2x - 2$

C) $y \geq -2x - 2$

D) $y \leq 2x - 2$

Answer: C

246)



A) $y \leq -2x + 2$

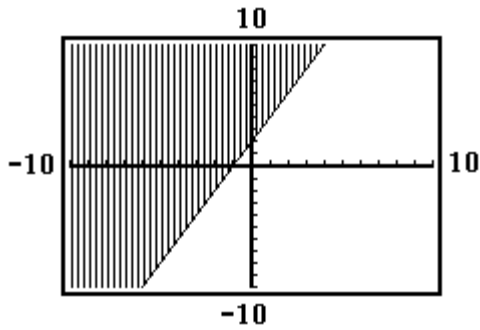
B) $y \geq -2x - 2$

C) $y \leq 2x - 2$

D) $y \geq 2x - 2$

Answer: D

247)



A) $y \leq x - 1$

B) $y \geq 2x + 2$

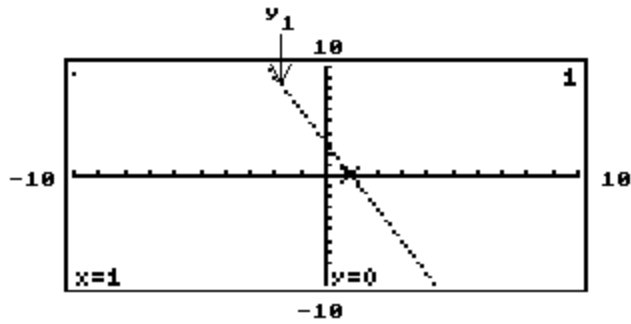
C) $y \leq 2x + 2$

D) $y \geq -x + 1$

Answer: B

The graph of the linear equation y_1 is shown on a graphing calculator screen, along with the x -value of the x -intercept of the line. Use the screen to solve the following equation or inequality.

248) $y_1 = 0$



A) {3}

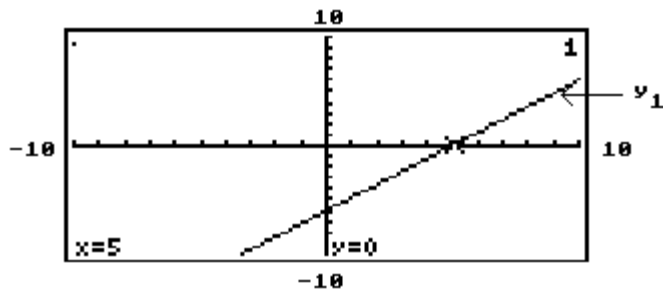
C) {1}

B) {0}

D) Cannot be determined

Answer: C

249) $y_1 = 0$

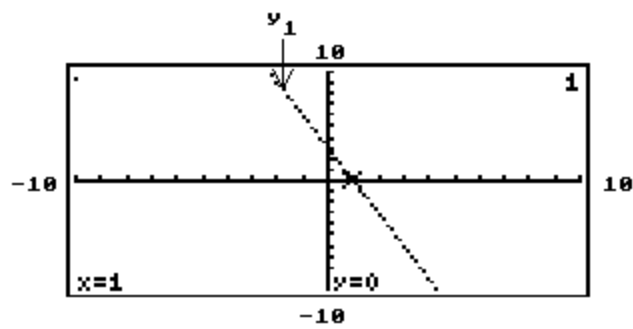


- A) $\{0\}$
- C) $\{-5\}$

Answer: B

- B) $\{5\}$
- D) Cannot be determined

250) $y_1 < 0$

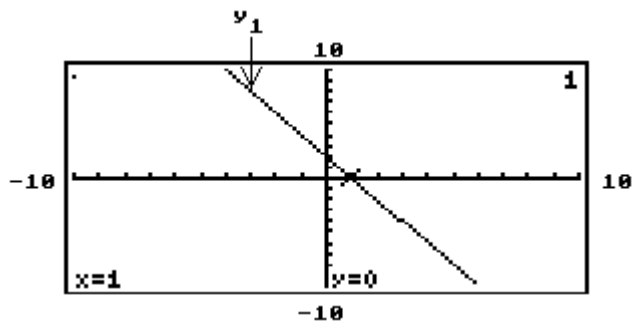


- A) $(-\infty, 1)$
- C) $(1, \infty)$

Answer: C

- B) $(3, \infty)$
- D) Cannot be determined

251) $y_1 > 0$

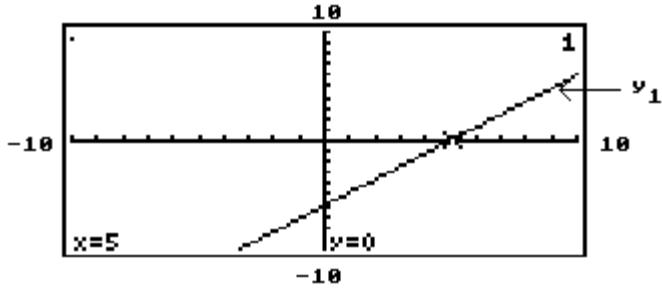


- A) $(-\infty, 1)$
- C) $(1, \infty)$

Answer: A

- B) $(3, \infty)$
- D) Cannot be determined

252) $y_1 < 0$



A) $(5, \infty)$

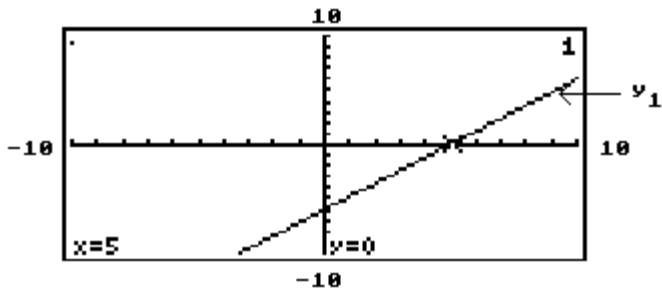
B) $(-5, \infty)$

C) $(-\infty, 5)$

D) $(-\infty, -5)$

Answer: C

253) $y_1 > 0$



A) $(-\infty, 5)$

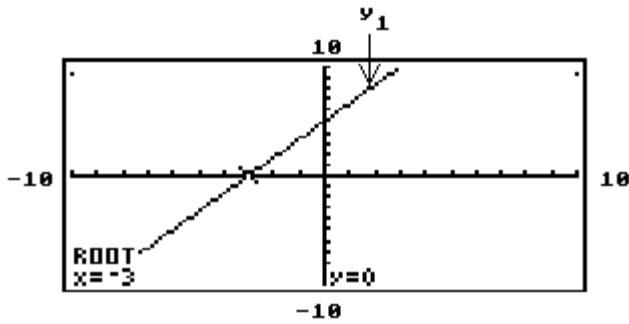
B) $(-5, \infty)$

C) $(5, \infty)$

D) $(-\infty, -5)$

Answer: C

254) $y_1 = 0$



A) $\{0\}$

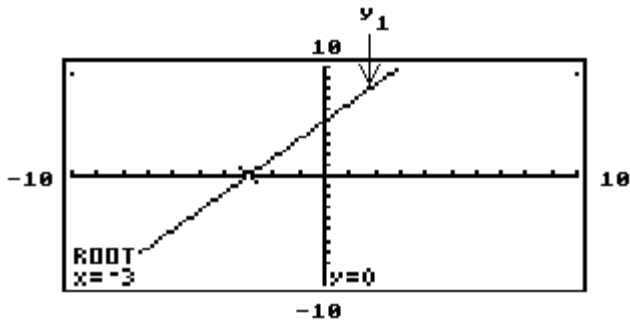
C) $\{5\}$

B) $\{-3\}$

D) Cannot be determined

Answer: B

255) $y_1 < 0$



A) $(0, \infty)$

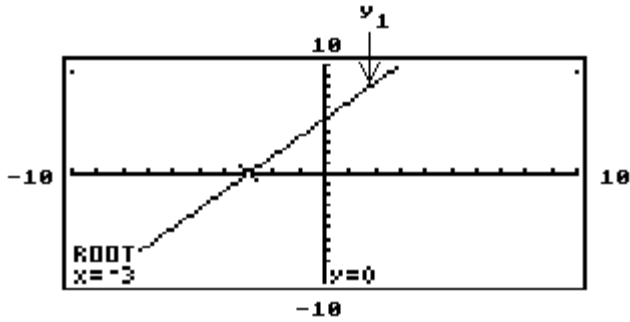
B) $(-3, \infty)$

C) $(-\infty, -3)$

D) $(-\infty, 0)$

Answer: C

256) $y_1 > 0$



A) $(0, \infty)$

B) $(-\infty, -3)$

C) $(-\infty, 0)$

D) $(-3, \infty)$

Answer: D

SHORT ANSWER. Write the word or phrase that best completes each statement or answers the question.

Provide an appropriate response.

257) In an inequality, how do you determine which side of the boundary line to shade?

Answer: Answers may vary. One possibility: Use a test point.

258) Is the origin a good test point in graphing an inequality of the form $Ax + By < 0$? Explain.

Answer: No. The origin is not a good test point because, for all values of A and B, it lies on the boundary line.
(Explanations may vary.)

259) What is the difference between the graphs of $y < mx + b$ and $y \leq mx + b$?

Answer: The boundary line of $y < mx + b$ is a dashed line. The boundary line of $y \leq mx + b$ is a solid line.

260) The graph of $y > 0$ lies in which two quadrants?

Answer: I and II

261) Name the quadrants totally or partially shaded in the graph of $y > mx + b$, when $m > 0$, $b > 0$.

Answer: I, II, and III

MULTIPLE CHOICE. Choose the one alternative that best completes the statement or answers the question.

Decide whether the relation is a function.

262) $\{(-3, 2), (2, -4), (5, -1), (8, 4), (11, -2)\}$

A) Not a function

B) Function

Answer: B

263) $\{(-4, 1), (-3, -6), (3, -8), (3, 4)\}$

A) Not a function

B) Function

Answer: A

264) $\{(-8, 2), (-8, 8), (-1, -3), (4, 3), (8, 3)\}$

A) Not a function

B) Function

Answer: A

265) $\{(2, -9), (2, -2), (4, -4), (9, -4), (12, 1)\}$

A) Not a function

B) Function

Answer: A

266) $\{(-5, 1), (-2, -5), (4, 8), (8, 8)\}$

A) Not a function

B) Function

Answer: B

267) $\{(-9, 3), (-9, 5), (1, -8), (3, 2), (10, -7)\}$

A) Not a function

B) Function

Answer: A

268) $\{(-8, -4), (-3, -4), (-1, -5), (4, 3)\}$

A) Not a function

B) Function

Answer: B

269) $\{(-3, -3), (-1, 2), (-1, -1), (-1, 7)\}$

A) Not a function

B) Function

Answer: A

270) $\{(-6, 8), (-1, 4), (2, 7), (7, 1)\}$

A) Not a function

B) Function

Answer: B

271) $\{(1, -7), (2, 7), (5, -9), (9, -7), (11, -3)\}$

A) Not a function

B) Function

Answer: B

272) $\begin{array}{c|c|c|c|c|c} x & -2 & 3 & 6 & 7 & 12 \\ \hline y & 5 & -9 & -5 & 5 & 2 \end{array}$

A) Function

B) Not a function

Answer: A

273)

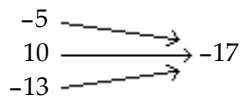
x	-7	-7	-1	4	7
y	2	1	-9	4	4

A) Function

B) Not a function

Answer: B

274)

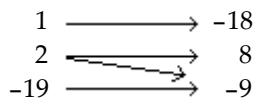


A) Function

B) Not a function

Answer: A

275)

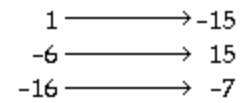


A) Function

B) Not a function

Answer: B

276)

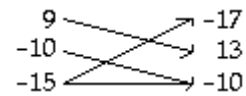


A) Function

B) Not a function

Answer: A

277)

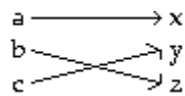


A) Function

B) Not a function

Answer: B

278)

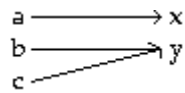


A) Function

B) Not a function

Answer: A

279)

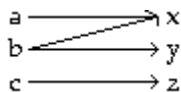


A) Function

B) Not a function

Answer: A

280)



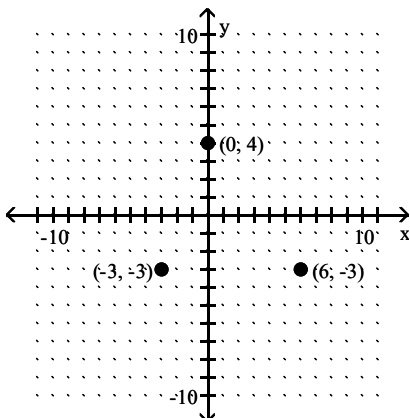
A) Function

B) Not a function

Answer: B

Decide whether the relation is a function, and give the domain and range.

281)



A) Not a function; domain: $\{-3, 0, 6\}$; range: $\{-3, 4\}$

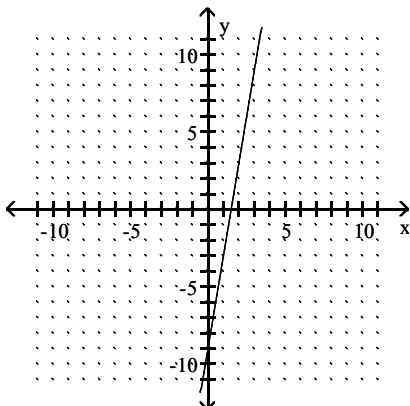
B) Function; domain: $\{-3, 0, 6\}$; range: $\{-3, 4\}$

C) Function; domain: $\{-3, 4\}$; range: $\{-3, 0, 6\}$

D) Not a function; domain: $\{-3, 4\}$; range: $\{-3, 0, 6\}$

Answer: B

282)



A) Function; domain: $(-\infty, \infty)$; range: $(-\infty, \infty)$

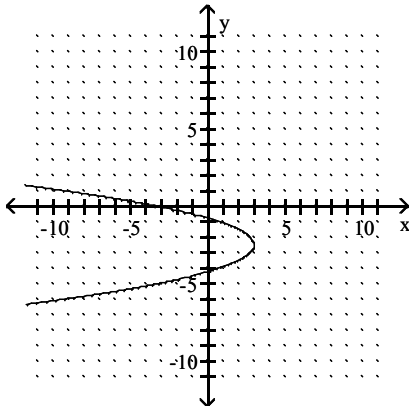
B) Not a function; domain: $(-\infty, \infty)$; range: $(-\infty, \infty)$

C) Not a function; domain: $(-\infty, 0) \cup (0, \infty)$; range: $(-\infty, \infty)$

D) Function; domain: $(-\infty, 0) \cup (0, \infty)$; range: $(-\infty, \infty)$

Answer: A

283)



A) Function; domain: $(-\infty, 3]$; range: $(-\infty, \infty)$

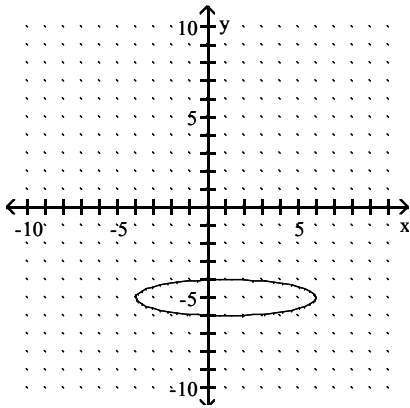
C) Not a function; domain: $(-\infty, 3]$; range: $(-\infty, \infty)$

Answer: C

B) Function; domain: $(-\infty, \infty)$; range: $(-\infty, \infty)$

D) Not a function; domain: $(-\infty, \infty)$; range: $(-\infty, \infty)$

284)



A) Function; domain: $[-6, -4]$; range: $[-4, 6]$

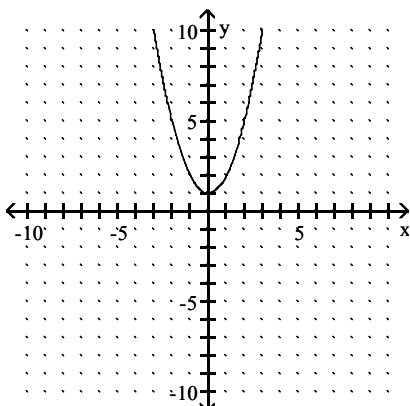
C) Function; domain: $[-4, 6]$; range: $[-6, -4]$

Answer: B

B) Not a function; domain: $[-4, 6]$; range: $[-6, -4]$

D) Not a function; domain: $[-6, -4]$; range: $[-4, 6]$

285)



A) Function; domain: $[1, \infty)$; range: $(-\infty, \infty)$

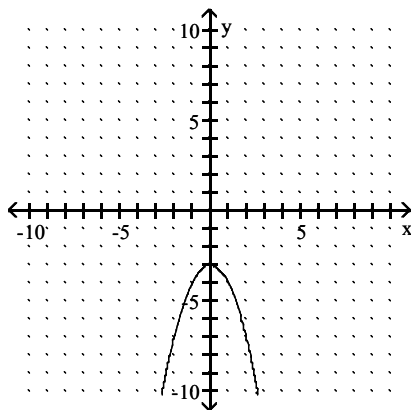
C) Not a function; domain: $(-\infty, \infty)$; range: $[1, \infty)$

Answer: B

B) Function; domain: $(-\infty, \infty)$; range: $[1, \infty)$

D) Not a function; domain: $[1, \infty)$; range: $(-\infty, \infty)$

286)



A) Function; domain: $(-\infty, \infty)$; range: $(-\infty, -3]$

C) Not a function; domain: $(-\infty, -3]$; range: $(-\infty, \infty)$

B) Function; domain: $(-\infty, -3]$; range: $(-\infty, \infty)$

D) Not a function; domain: $(-\infty, \infty)$; range: $(-\infty, -3]$

Answer: A

Determine whether the relation defines y as a function of x . Give the domain.

287) $2x = 5 - 5y$

A) Not a function; domain: $(-\infty, \infty)$

C) Function; domain: all integers

B) Not a function; domain: all whole numbers

D) Function; domain: $(-\infty, \infty)$

Answer: D

288) $y = x^3$

A) Not a function; domain: all whole numbers

C) Function; domain: all whole numbers

B) Not a function; domain: $(-\infty, \infty)$

D) Function; domain: $(-\infty, \infty)$

Answer: D

289) $y^2 = 6x$

A) Function; domain: $(-\infty, 0]$

C) Not a function; domain: $(-\infty, 0]$

B) Not a function; domain: $[0, \infty)$

D) Function; domain: $(-\infty, \infty)$

Answer: B

290) $y = \sqrt{3x - 7}$

A) Function; domain: $(-\infty, \infty)$

C) Not a function; domain: $\left[-\infty, \frac{7}{3}\right]$

B) Function; domain: $\left[\frac{7}{3}, \infty\right)$

D) Not a function; domain: $\left[\frac{7}{3}, \infty\right)$

Answer: B

291) $2x + 6y < 9$

A) Function; domain: $(-\infty, \infty)$

C) Not a function; domain: $\left[\frac{3}{2}, \infty\right)$

B) Not a function; domain: $(-\infty, \infty)$

D) Function; domain: $\left(-\infty, -\frac{3}{2}\right)$

Answer: B

$$292) y = -\frac{5}{x}$$

- A) Not a function; domain $(-\infty, 0) \cup (0, \infty)$
 C) Function; domain: $(-\infty, \infty)$

- B) Function; domain $(-\infty, 0) \cup (0, \infty)$
 D) Not a function; domain $(-\infty, 5) \cup (5, \infty)$

Answer: B

$$293) y = \frac{x+7}{11}$$

- A) Not a function; domain $(-\infty, 11) \cup (11, \infty)$
 C) Function; domain: $(-\infty, \infty)$

- B) Not a function; domain: $(-\infty, \infty)$
 D) Function; domain $(-\infty, -7) \cup (-7, \infty)$

Answer: C

$$294) x = y^6$$

- A) Not a function; domain: $[0, \infty)$
 C) Function; domain: $[0, \infty)$

- B) Function; domain: $(-\infty, \infty)$
 D) Not a function; domain: $(-\infty, \infty)$

Answer: A

$$295) xy = -8$$

- A) Not a function; domain: $(-\infty, \infty)$
 C) Not a function; domain: $(-\infty, 0) \cup (0, \infty)$

- B) Function; domain: $(-\infty, 0) \cup (0, \infty)$
 D) Function; domain: $(-\infty, \infty)$

Answer: B

$$296) y = \frac{4}{x+18}$$

- A) Not a function; domain: $(-\infty, \infty)$
 C) Not a function; domain: $(-\infty, -18) \cup (-18, 0)$

- B) Function; domain: $(-18, 18)$
 D) Function; domain: $(-\infty, -18) \cup (-18, \infty)$

Answer: D

SHORT ANSWER. Write the word or phrase that best completes each statement or answers the question.

Solve the problem.

297) The table shows the percentage of seniors at a certain 4-year college who believed that after graduating they would be able to find a job related to their field of study.

Year	Percentage
2000	61.5
2002	59.2
2004	57.2
2006	54.8
2008	49.2

- (a) Does the table define a function?
 (b) What are the domain and range?
 (c) Call this function f . Give two ordered pairs that belong to f .

Answer: (a) yes

(b) domain: {2000, 2002, 2004, 2006, 2008}, range: {61.5, 59.2, 57.2, 54.8, 49.2}

(c) Answers will vary. Any two of the following ordered pairs may be given:
 (2000, 61.5), (2002, 59.2), (2004, 57.2), (2006, 54.8), (2008, 49.2)

308) Find $g(a - 1)$ when $g(x) = 3x - 3$.

A) $3a - 3$

B) $3a + 1$

C) $\frac{1}{3}a - 3$

D) $3a - 6$

Answer: D

Evaluate the function.

309) Find $f(0)$ if $f = \{(-2, 3), (3, 0), (0, 5), (5, -2)\}$

A) None of these

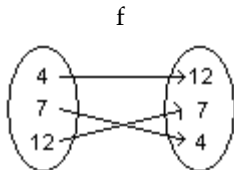
B) $(5, 3)$

C) 5

D) 3

Answer: C

310) Find $f(12)$



A) 7

B) 4

C) None of these

D) $(7, 4)$

Answer: A

311) Find $f(4)$.

x	y = f(x)
4	64
1	4
0	0
-1	4
-4	64

A) 1

B) 4

C) 64

D) 0

Answer: C

312) Find $f(-4)$.

x	y = f(x)
5	2
2	-1
-1	-4
-4	-7
-7	-10

A) -7

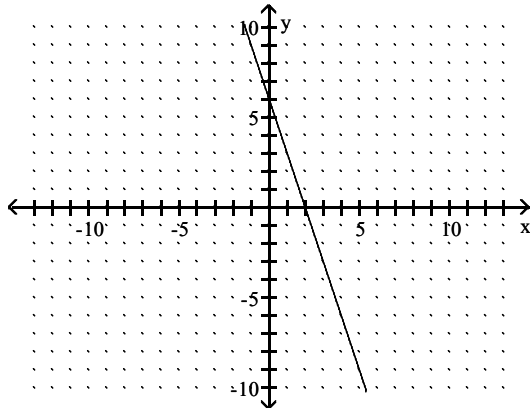
B) -4

C) -1

D) 7

Answer: A

313) The graph of $y = f(x)$ is shown below. Find $f(-1)$



A) 9

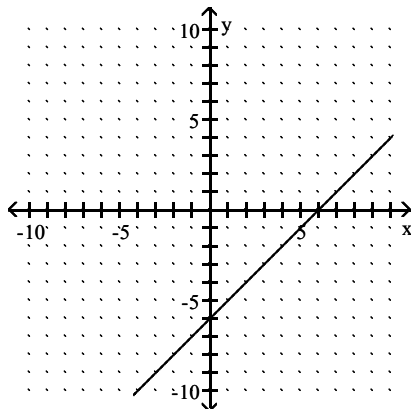
B) 6

C) -3

D) 3

Answer: A

314) The graph of $y = f(x)$ is shown below. Find $f(2)$



A) 4

B) 2

C) -4

D) -6

Answer: C

An equation that defines y as a function of x is given. Solve for y in terms of x , and replace y with the function notation $f(x)$.

315) $5x - 6y = 5$

A) $f(x) = \frac{5 - 5x}{-6}$

B) $f(x) = -5x - \frac{5}{6}$

C) $f(x) = 5 - \frac{5x}{6}$

D) $f(x) = 5 - 5x$

Answer: A

316) $9x^2 + 7y = 6$

A) $f(x) = \frac{6 + 9x^2}{7}$

B) $f(x) = 6 - 9x^2$

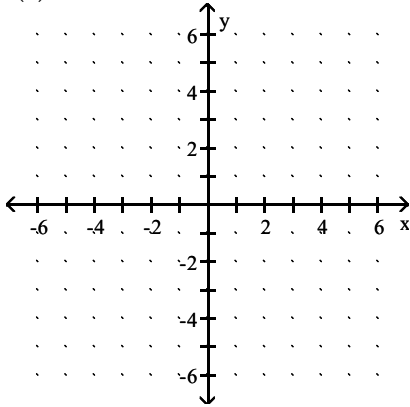
C) $f(x) = -9x^2 + \frac{6}{7}$

D) $f(x) = \frac{6 - 9x^2}{7}$

Answer: D

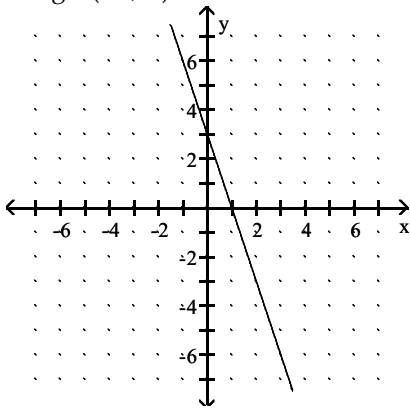
Graph the linear function. Give the domain and range.

317) $f(x) = 3x + 3$



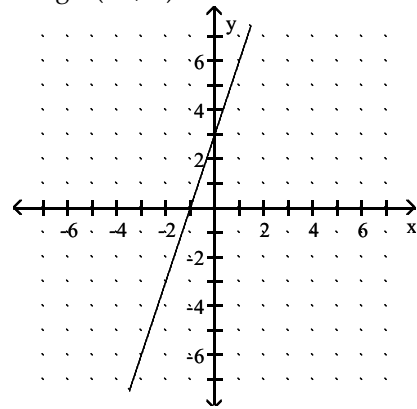
A) Domain: $(-\infty, \infty)$

Range: $(-\infty, \infty)$



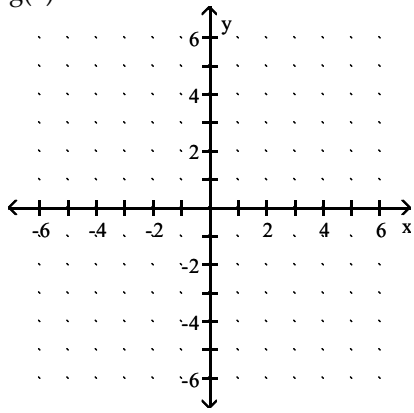
B) Domain: $(-\infty, \infty)$

Range: $(-\infty, \infty)$



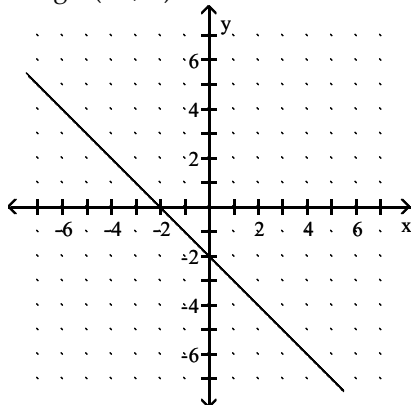
Answer: B

318) $g(x) = x - 2$



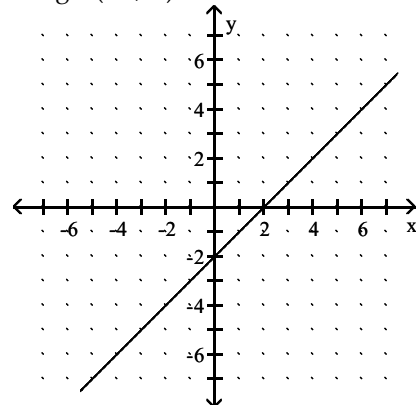
A) Domain: $(-\infty, \infty)$

Range: $(-\infty, \infty)$



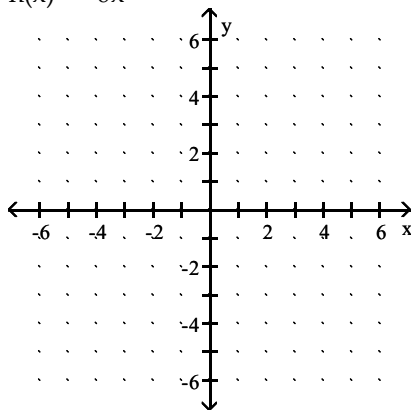
B) Domain: $(-\infty, \infty)$

Range: $(-\infty, \infty)$



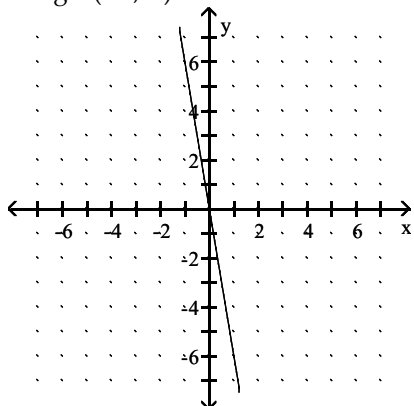
Answer: B

319) $h(x) = -6x$



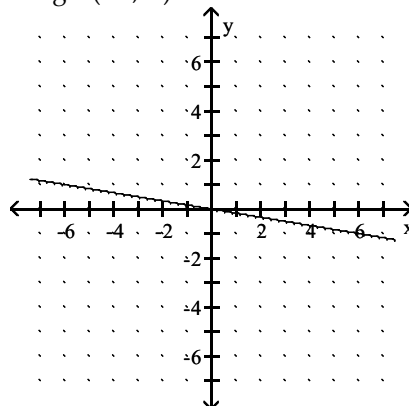
A) Domain: $(-\infty, \infty)$

Range: $(-\infty, \infty)$



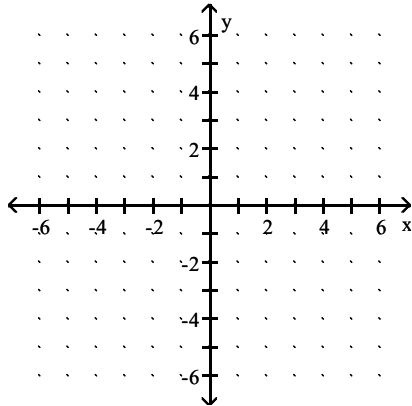
B) Domain: $(-\infty, \infty)$

Range: $(-\infty, \infty)$

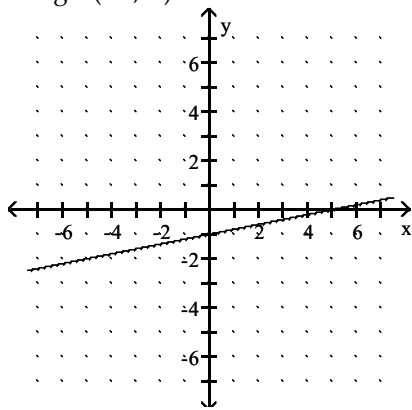


Answer: A

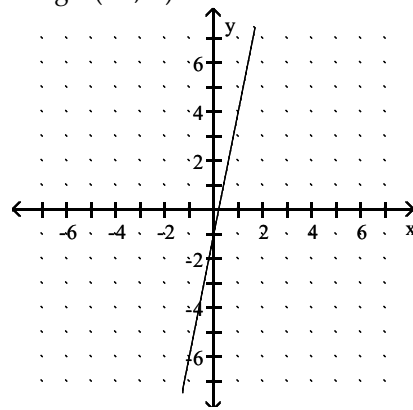
320) $f(x) = \frac{1}{5}x - 1$



A) Domain: $(-\infty, \infty)$
Range: $(-\infty, \infty)$

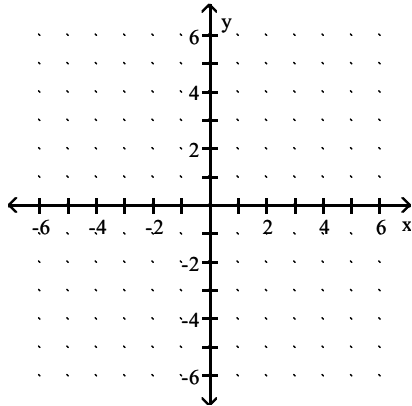


B) Domain: $(-\infty, \infty)$
Range: $(-\infty, \infty)$

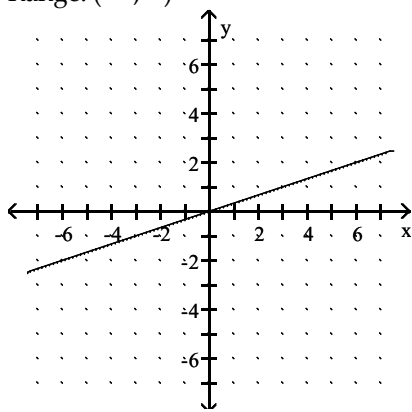


Answer: A

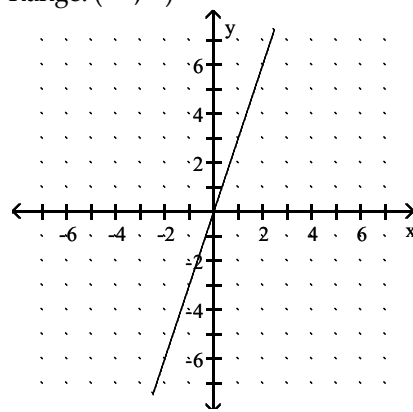
321) $f(x) = \frac{1}{3}x$



A) Domain: $(-\infty, \infty)$
Range: $(-\infty, \infty)$

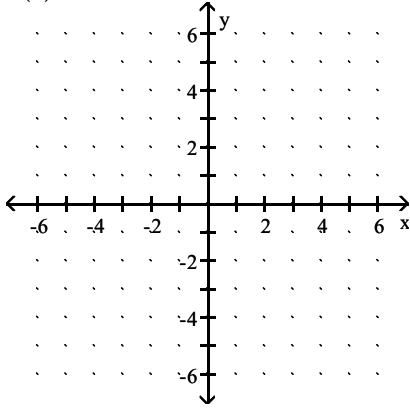


B) Domain: $(-\infty, \infty)$
Range: $(-\infty, \infty)$

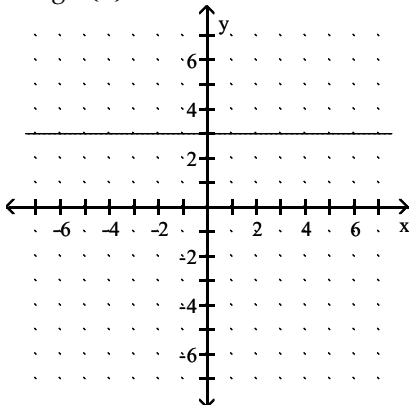


Answer: A

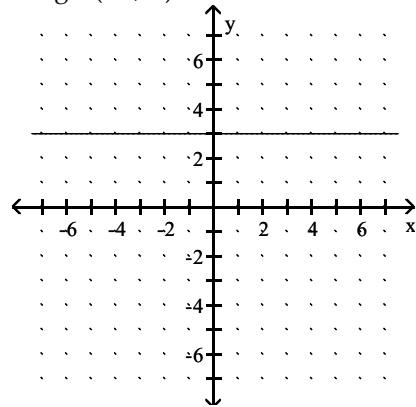
322) $h(x) = 3$



A) Domain: $(-\infty, \infty)$
Range: $\{3\}$



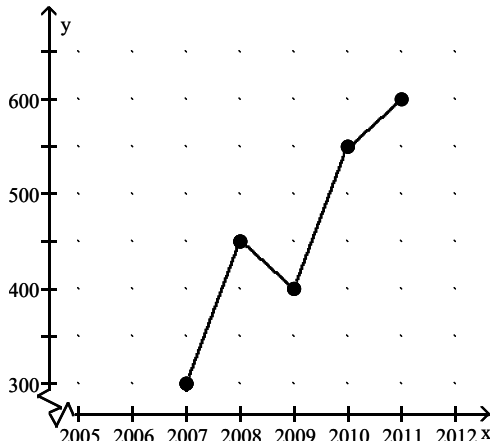
B) Domain: $\{3\}$
Range: $(-\infty, \infty)$



Answer: A

Solve the problem.

323) Crafty Bill's Cool Car Sales opened as a used car sales lot in 1991. The graph shows the number of cars sold as a function of time. Is this the graph of a function? What is the domain?

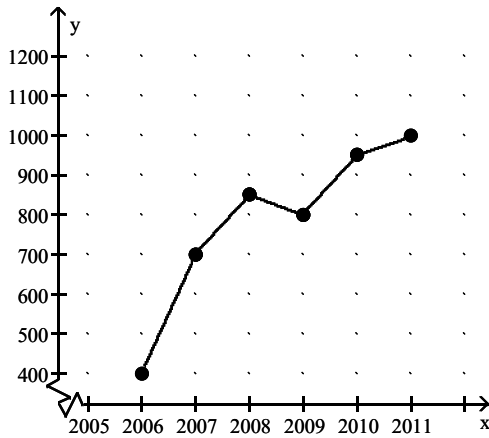


A) Not a function; Domain: $[2007, 2011]$
C) Not a function; Domain: $[2005, 2011]$

B) Function; Domain: $[2005, 2011]$
D) Function; Domain: $[2007, 2011]$

Answer: D

324) Crafty Bill's Cool Car Sales opened as a used car sales lot in 2006. The graph shows the number of cars sold as a function of time. What is the approximate number of cars sold in 2008?



- A) 800 cars B) 50 cars C) 700 cars D) 850 cars

Answer: D

325) Suppose all items in an ice cream truck cost \$1.04 per item. (a) Fill in the table with the correct response for the cost $f(x)$ of purchasing x items. (b). Write the linear function that gives a rule for finding the cost.

x	f(x)
0	
1	
2	
3	

- A) (a)

x	f(x)
0	\$0
1	\$1.04
2	\$1.04
3	\$1.04

 (b) $f(x) = 1.04$ B) None of these

- C) (a)

x	f(x)
0	\$0
1	\$1.04
2	\$2.08
3	\$3.12

 (b) $f(x) = 1.04x$ D) (a)

x	f(x)
0	\$1.04
1	\$2.08
2	\$3.12
3	\$4.16

 (b) $f(x) = 1.04x + 1.04$

Answer: C

326) It has been determined that the number of fish $f(t)$ that can be caught in t minutes in a certain pond using a certain bait is $f(t) = 0.27t + 1$, for $t > 10$. Find the number of fish that can be caught if you fish for 30 minutes. Round your answer to the nearest whole number.

- A) 19 fish B) 32 fish C) 34 fish D) 9 fish

Answer: D

327) Suppose the sales of a particular brand of appliance are modeled by the linear function $S(x) = 120x + 4800$, where $S(x)$ represents the number of sales in year x , with $x = 0$ corresponding to 1982. Find the number of sales in 1993.

- A) 6000 sales B) 12,120 sales C) 6120 sales D) 12,240 sales

Answer: C

- 328) Suppose $f(x) = mx + b$ is a mathematical model for actual time as a function of estimated time, where $f(x)$ represents actual time (in minutes), x represents estimated time (in minutes), and m and b are constants. If $m = 0.4$ and $b = -1.4$, find $f(x)$ when x is 30 minutes.
- A) 10.6 min B) 13.4 min C) 30.56 min D) 29.44 min

Answer: A

- 329) The function H described by $H(x) = 2.75x + 71.48$ can be used to estimate the height, in centimeters, of a woman whose humerus (the bone from the elbow to the shoulder) is x cm long. Estimate the height of a woman whose humerus is 33.8 cm long.
- A) 164.43 cm B) 40.43 cm C) 21.47 cm D) 108.03 cm

Answer: A

- 330) The mathematical model $f(x) = 500x + 40,000$ represents the cost in dollars a company has in producing x items during a month. Based on this, how much does it cost to produce 700 items? Interpret the question and answer using function notation.
- A) \$350,000; $f(700) = 350,000$ B) \$390,000; $f(390,000) = 700$
C) \$390,000; $f(700) = 390,000$ D) \$350,000; $f(350,000) = 700$

Answer: C

- 331) A truck rental company charges \$39, plus \$0.07 per mile to rent a moving truck for a day. If x represents the number of miles driven and $f(x)$ represents the total cost to rent the truck for a day, write a linear function that models the situation.
- A) $f(x) = 0.07x - 39$ B) $f(x) = 0.07x + 39x$ C) $f(x) = 0.07x + 39$ D) $f(x) = 39x + 0.07$

Answer: C

- 332) A truck rental company charges \$27 plus \$0.09 per mile to rent a moving truck for a day. If x represents the number of miles driven and $f(x)$ represents the total cost to rent the truck for a day, a linear function that models the situation is $f(x) = 0.09x + 27$. What is the cost of renting the truck if it is driven 170 miles?
- A) \$4590.09 B) \$11.70 C) \$28.53 D) \$42.30

Answer: D

- 333) Rental on a car is \$110 plus \$0.03 per mile. If x represents the number of miles driven and $f(x)$ represents the total cost to rent the car, a linear function that models the situation is $f(x) = 0.03x + 110$. Find the value of x if $f(x) = 188$. Interpret your answer in the context of this problem.
- A) 2600; It costs \$2600 to drive the rental car 188 miles.
B) 116; It costs \$116 to drive the rental car 188 miles.
C) 2600; It costs \$188 to drive the rental car 2600 miles.
D) 116; It costs \$188 to drive the rental car 116 miles.

Answer: C

334) The table represents a linear function. Find the slope and y-intercept of the line and use your answers to write an equation for $f(x)$.

x	y = f(x)
0	4.6
1	2.5
2	0.4
3	-1.7
4	-3.8
5	-5.9

A) $f(x) = 4.6x - 2.1$

B) $f(x) = -4.6x + 2.1$

C) $f(x) = 2.1x + 4.6$

D) $f(x) = -2.1x + 4.6$

Answer: D

Provide an appropriate response.

335) If the ordered pair $(9, 3)$ belongs to function g , then $g(\underline{\quad}) = \underline{\quad}$.

A) $y; 9$

B) $x; 3$

C) $9; 3$

D) $3; 9$

Answer: C

Complete the table of ordered pairs for the equation.

336) $4x - 5y = -20$

x	y
-5	
-2	
1	

A) $4; \frac{12}{5}; 0$

B) $0; \frac{12}{5}; -\frac{15}{4}$

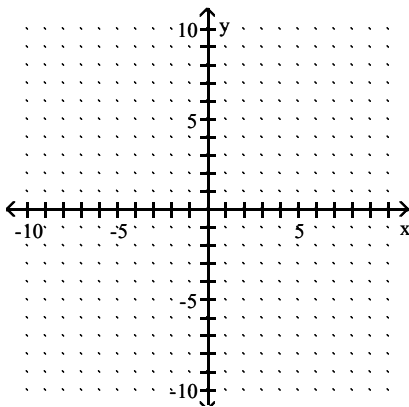
C) $0; \frac{12}{5}; -2$

D) $4; 0; -\frac{15}{4}$

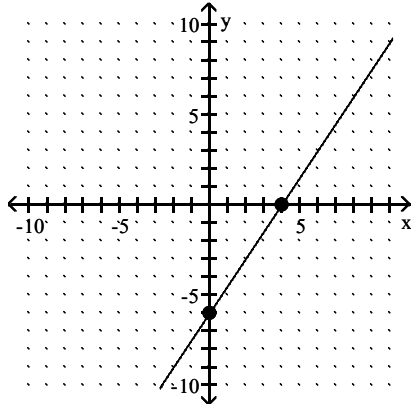
Answer: B

Find the x- and y-intercepts, and graph the equation.

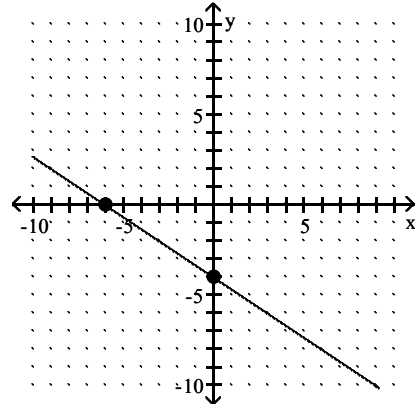
337) $4x - 6y = -24$



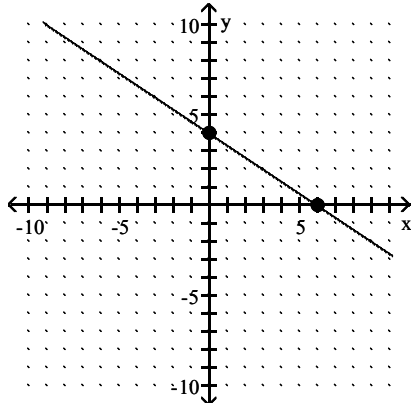
A) $(0, -6), (4, 0)$



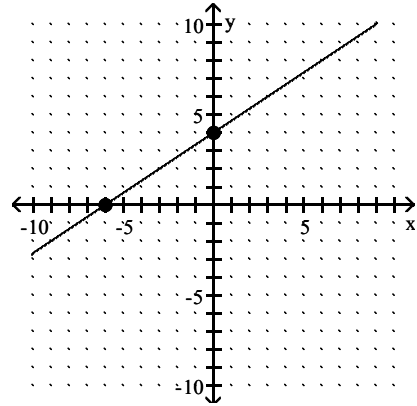
B) $(0, -4), (-6, 0)$



C) $(0, 4), (6, 0)$

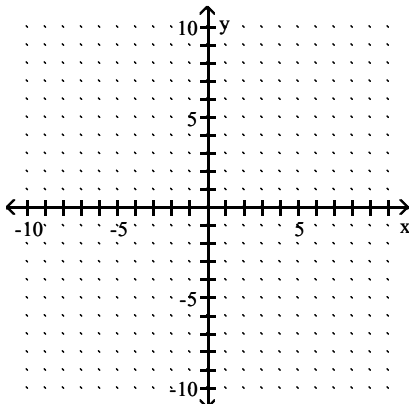


D) $(0, 4), (-6, 0)$

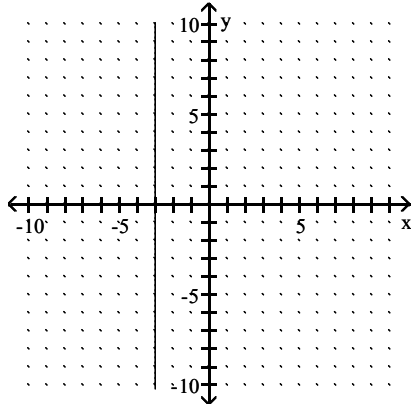


Answer: D

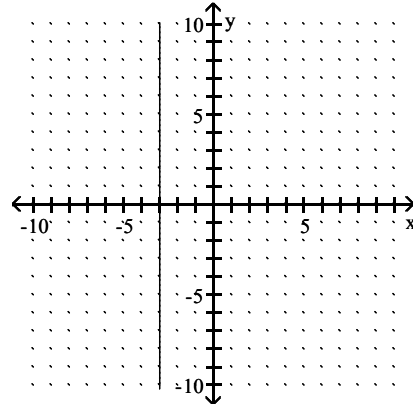
338) $y = -3$



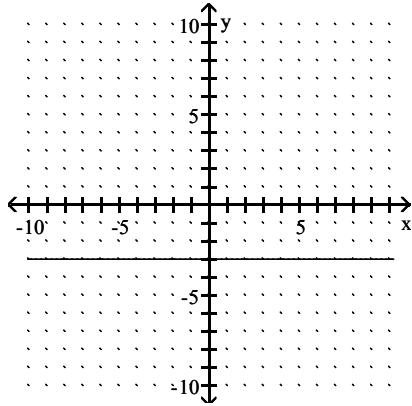
A) None; (0, -3)



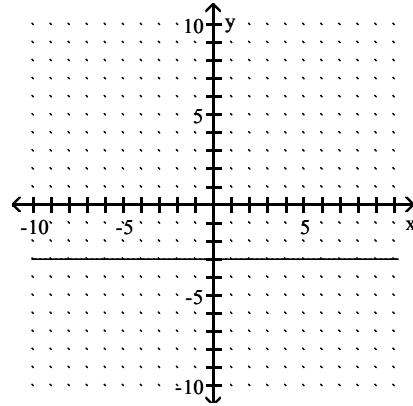
B) (-3, 0); none



C) (-3, 0); none

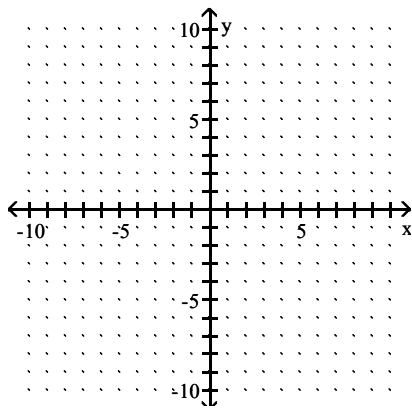


D) None; (0, -3)

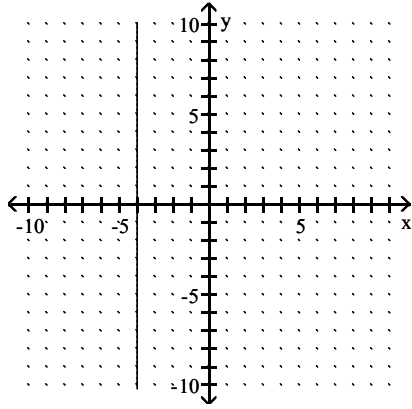


Answer: D

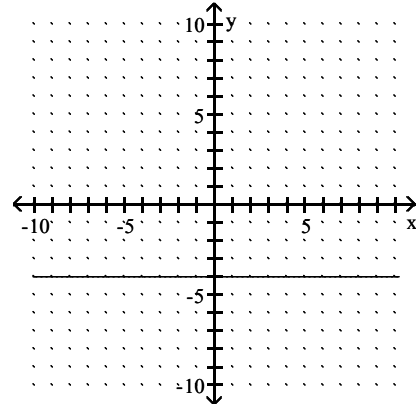
339) $x = -4$



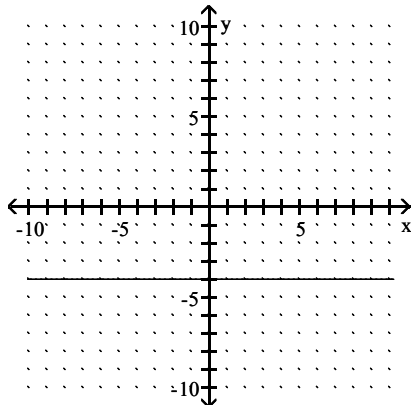
A) $(-4, 0)$; none



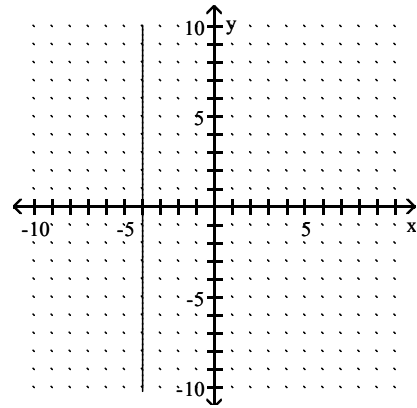
B) None; $(0, -4)$



C) $(-4, 0)$; none



D) None; $(0, -4)$



Answer: A

Find the slope of the line through the pair of points.

340) $(3, -2)$ and $(-7, -4)$

A) 5

B) -5

C) $\frac{1}{5}$

D) $-\frac{1}{5}$

Answer: C

Answer the question.

341) How is the graph of a line with a slope equal to 0 situated in a rectangular coordinate system?

A) It is a vertical line.

B) It is not a line.

C) It is a horizontal line.

D) It is an oblique line.

Answer: C

Decide whether the pair of lines is parallel, perpendicular, or neither.

342) $8x + 6y = 2$ and $4y = 3x + 13$

A) Parallel

B) Perpendicular

C) Neither

Answer: B

343) $4x + y = -15$ and $6y = 12x - 14$

A) Parallel

B) Perpendicular

C) Neither

Answer: C

Solve the problem.

344) In 1980, there were 120,000 farms in a state. As of 2005, there were 69,000. Find the average rate of change in the number of farms per year.

- A) 2040 farms per yr B) -2040 farms per yr C) -6040 farms per yr D) 7560 farms per yr

Answer: B

Find an equation of the line, and write it in (a) slope-intercept form if possible and (b) standard form.

345) Through $(-9, 9)$; $m = -9$

- A) (a) $y = -9x - 72$ B) (a) $y = 9x - 70$ C) (a) $y = -9x - 72$ D) (a) $y = -9x + 79$
(b) $9x + y = 72$ (b) $-9x + y = -70$ (b) $9x + y = -72$ (b) $9x + y = 79$

Answer: C

346) Through $(-1, -10)$; horizontal

- A) (a) not possible B) (a) $y = 1$ C) (a) not possible D) (a) $y = -10$
(b) $x = 10$ (b) $y = 1$ (b) $x = -1$ (b) $y = -10$

Answer: D

347) Through $(4, -2)$ and $(9, 6)$

- A) (a) $y = -2x - 12$ B) (a) $y = \frac{8}{5}x - \frac{42}{5}$ C) (a) $y = -\frac{8}{5}x - \frac{42}{5}$ D) (a) $y = 2x - 12$
(b) $6x + 3y = -36$ (b) $8x - 5y = 42$ (b) $-8x - 5y = 42$ (b) $-6x + 3y = -36$

Answer: B

348) Through $(8, -8)$; vertical

- A) (a) $y = 8$ B) (a) not possible C) (a) $y = -8$ D) (a) not possible
(b) $y = 8$ (b) $x = -8$ (b) $y = -8$ (b) $x = 8$

Answer: D

349) Through $(-2, -2)$ and parallel to $7x - 8y = -46$

- A) (a) $y = \frac{7}{8}x - \frac{1}{4}$ B) (a) $y = -\frac{1}{4}x + \frac{23}{4}$ C) (a) $y = -\frac{7}{8}x + \frac{1}{4}$ D) (a) $y = \frac{8}{7}x - \frac{2}{7}$
(b) $7x - 8y = 2$ (b) $-2x - 8y = -46$ (b) $-7x - 8y = -2$ (b) $-8x + 7y = 2$

Answer: A

350) Through $(-2, -6)$ and perpendicular to $y = \frac{1}{3}x + 13$

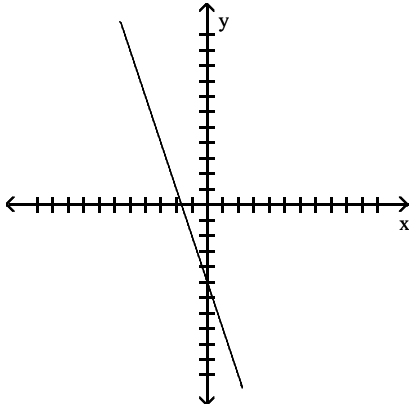
- A) (a) $y = 3x - 12$ B) (a) $y = -\frac{1}{3}x - \frac{20}{3}$ C) (a) $y = \frac{1}{3}x - \frac{16}{3}$ D) (a) $y = -3x - 12$
(b) $3x - y = -12$ (b) $x + 3y = -20$ (b) $x - 3y = 16$ (b) $3x + y = -12$

Answer: D

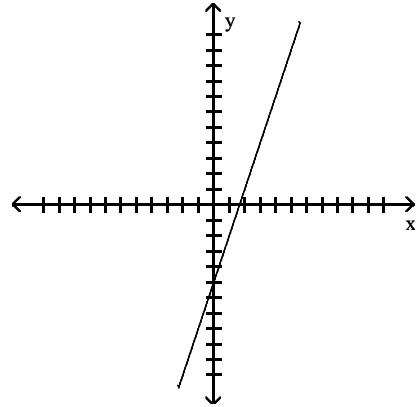
Provide an appropriate response.

351) Which one of the following has positive slope and negative y-coordinate for its y-intercept?

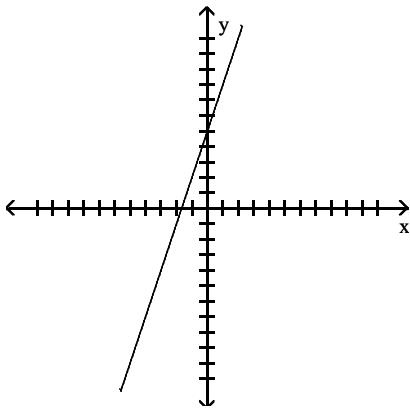
A)



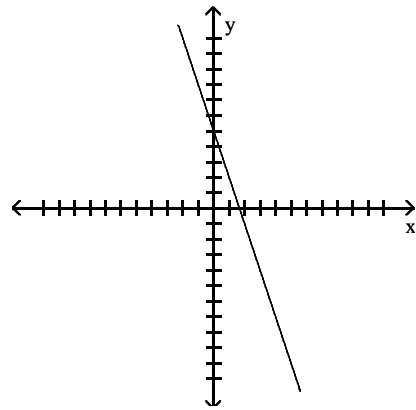
B)



C)



D)



Answer: B

Solve the problem.

352) The information in the chart gives the salary of a person for the stated years. Use the information for the years 2001 and 2003 to find an equation that models the data. Let $x = 1$ represent 2001, $x = 3$ represent 2003, and y represent the salary. Write the equation in slope-intercept form. Use this equation to approximate the salary for 2004 to the nearest dollar.

Year	Salary
2000	\$23,500
2001	\$24,600
2002	\$25,200
2003	\$26,500
2004	\$27,200

A) $y = 950x$; \$3800

C) $y = -1196x + 23,500$; \$18,716

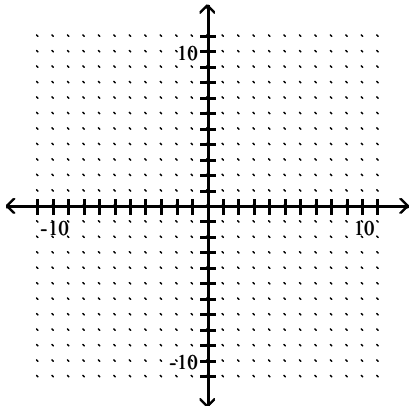
B) $y = 28.4x + 23,500$; \$23,613.6

D) $y = 950x + 23,500$; \$27,300

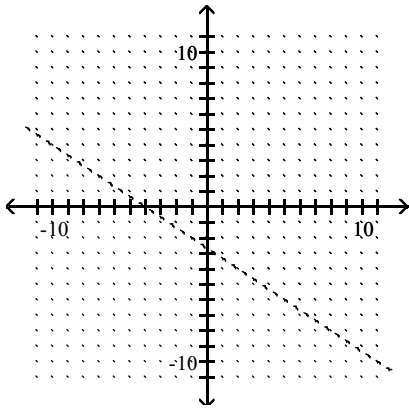
Answer: D

Graph the inequality or compound inequality.

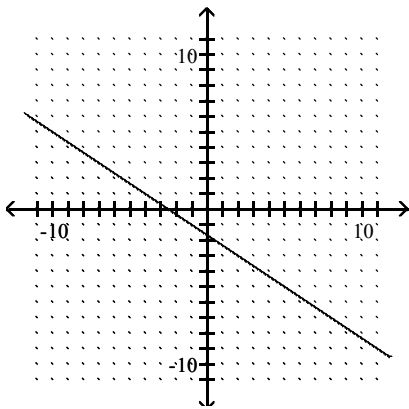
353) $2x + 3y > -5$



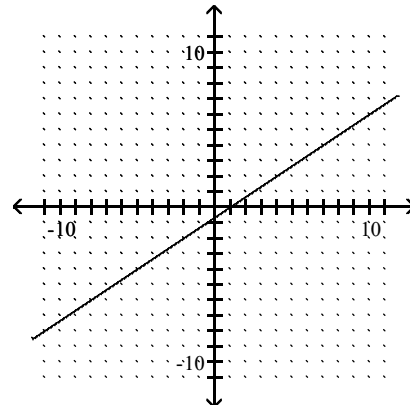
A)



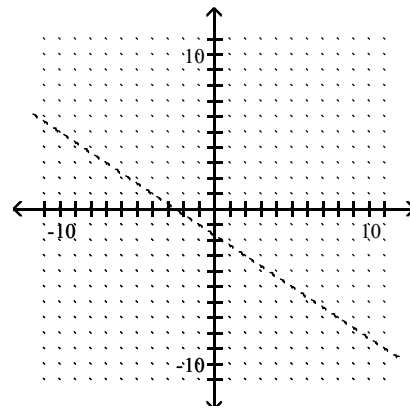
C)



B)

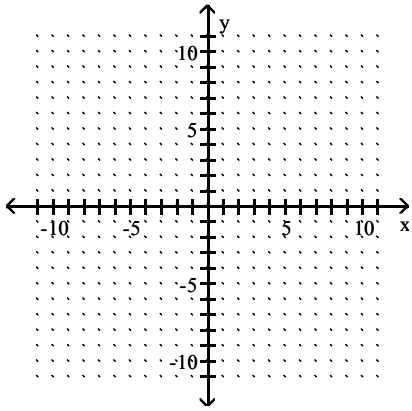


D)

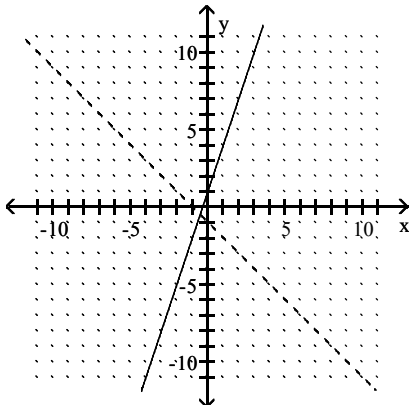


Answer: D

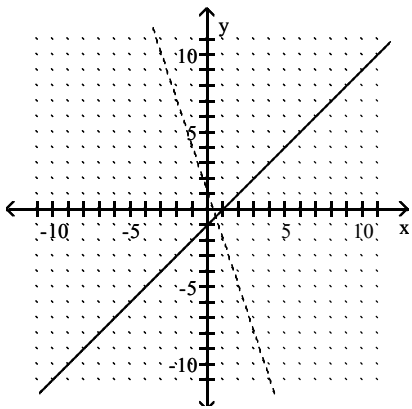
354) $y \geq -3x + 1$ and $x - y \geq 1$



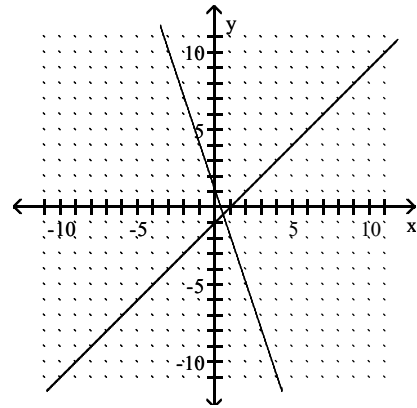
A)



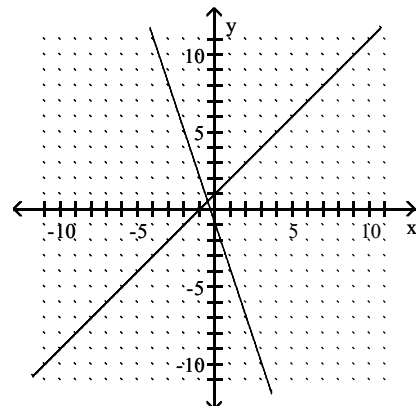
C)



B)



D)

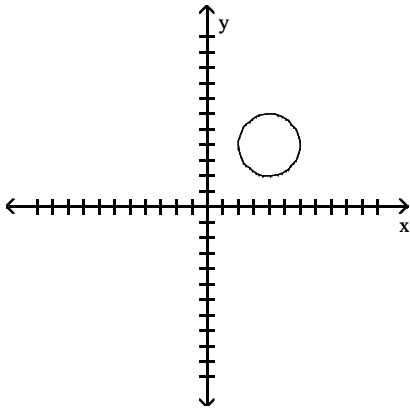


Answer: B

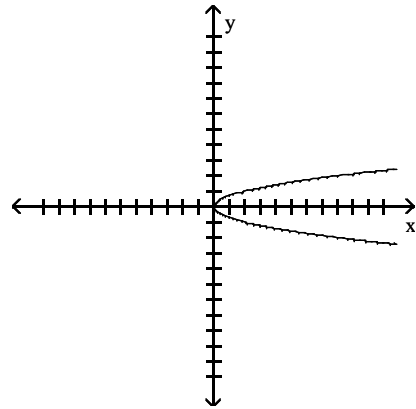
Provide an appropriate response.

355) Which one of the following is the graph of a function?

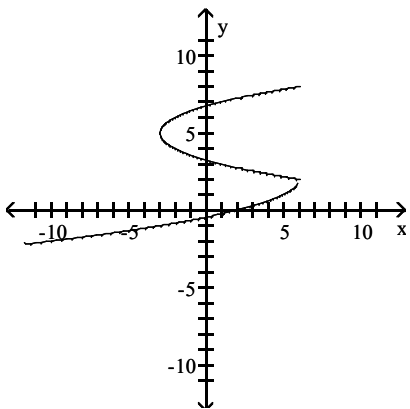
A)



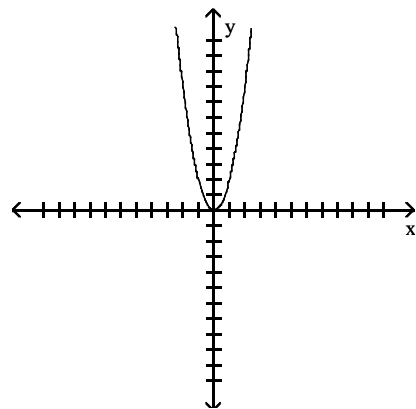
B)



C)



D)



Answer: D

356) Which one of the following does not define y as a function of x ?

A) $\{(2, 6), (4, -2), (9, 8)\}$

B) $y = \sqrt{x + 4}$

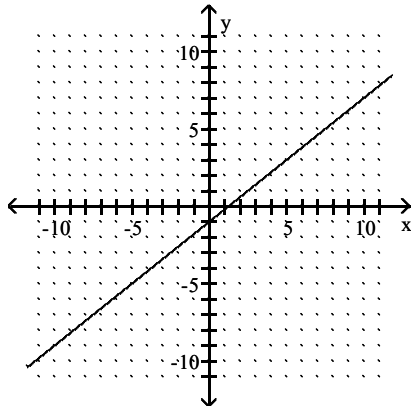
C)

x	y
-1	6
2	6
-1	6
4	-2

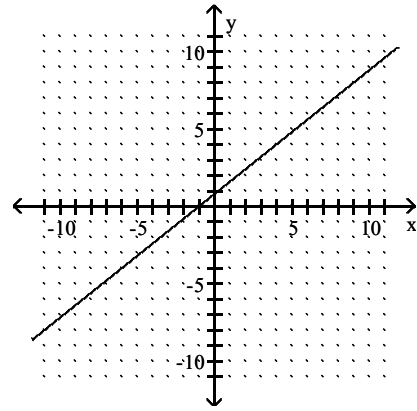
D) $y = 4x - 1$

Answer: C

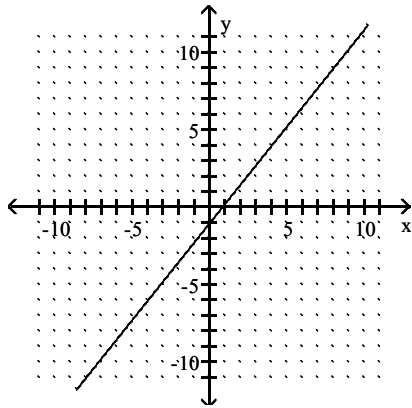
A) Domain: $(-\infty, \infty)$; range: $(-\infty, \infty)$



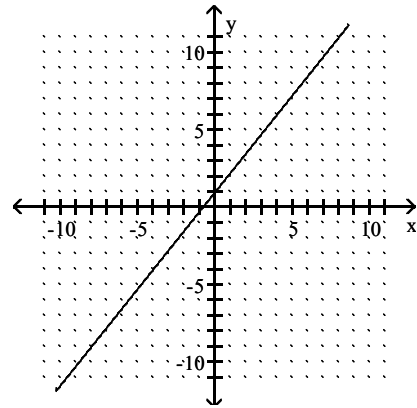
B) Domain: $(-\infty, \infty)$; range: $(-\infty, \infty)$



C) Domain: $(-\infty, \infty)$; range: $(-\infty, \infty)$



D) Domain: $(-\infty, \infty)$; range: $(-\infty, \infty)$



Answer: C